

Model J-P (G060)

PARTS CATALOG

First edition, March 2001

Ricoh Company, LTD.

Model J-P (G060)

PARTS CATALOG

This catalog gives the numbers and names of parts on this machine.

CONTENTS

Model J-P	(G060)
Duplex Unit Type 3800C	(G571)
Paper Feed Unit Type 3800C (1Tray)	(G567)
Paper Feed Unit Type 3800C (2 Trays)	(G568)
Paper Bank PS470	(G569)
SR770	(G565)
Punch Kit Type 1045	(B377)
Mail Bin Type 3800C	(G566)

Model J-P (G060)

Model J-P (G060)

PARTS CATALOG

This catalog gives the numbers and names of parts on this machine.

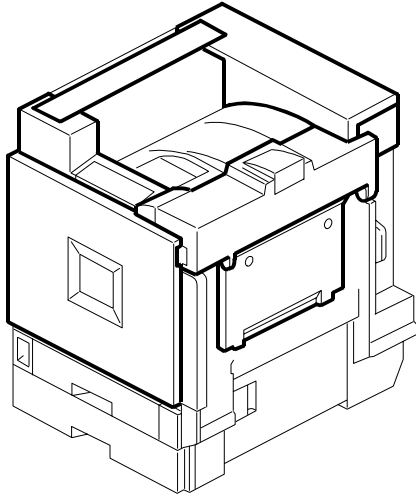
CONTENTS

Location of unit	2	18.Transfer Unit 4 (G060).....	42
1.Exterior 1 (G060).....	8	19.Paper Exit Section 1 (G060).....	44
2.Exterior 2 (G060).....	10	20.Paper Exit Section 2 (G060).....	46
3.Laser Unit (G060).....	12	21.Paper Exit Section 3 (G060).....	48
4.1st Cassette (G060)	14	22.Waste Toner Transfer Section (G060)	50
5.2nd Cassette (G060)	16	23.Drive Section 1 (G060)	52
6.1st Paper Feed Section (G060).....	18	24.Drive Section 2 (G060)	54
7.2nd Paper Feed Section (G060)	20	25.Drive Section 3 (G060)	56
8.Vertical Transport Section (G060).....	22	26.Drive Section 4 (G060)	58
9.Manual Paper Feed 1 (G060).....	24	27.Electrical Section 1 (G060).....	60
10.Manual Paper Feed 2 (G060).....	26	28.Electrical Section 2 (G060).....	62
11.Paper Resistration (G060).....	28	29.Frame Section 1 (G060)	64
12.Color Toner Hopper (G060)	30	30.Frame Section 2 (G060)	66
13.Black Toner Hopper (G060)	32	31.Printer Control Board (G060).....	68
14.PCU/Development Unit (G060)	34	32.BCU Board (G060)	74
15.Transfer Unit 1 (G060)	36	33.Decals And Documents (G060).....	84
16.Transfer Unit 2 (G060)	38	34.Special Tools (G060).....	86
17.Transfer Unit 3 (G060)	40	Parts Index	89

March ,30 ' 2001

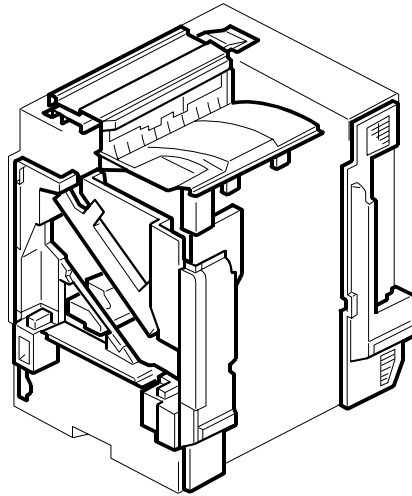
LOCATIONS OF UNITS

1. Exterior 1 (G060)



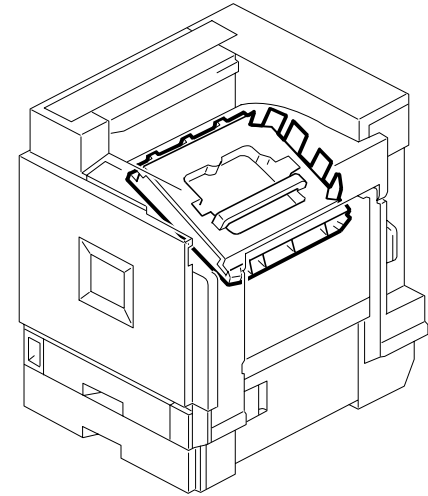
See Page 9

2. Exterior 2 (G060)



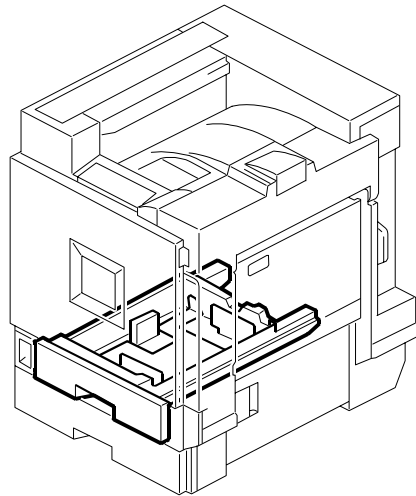
See Page 11

3. Laser Unit (G060)



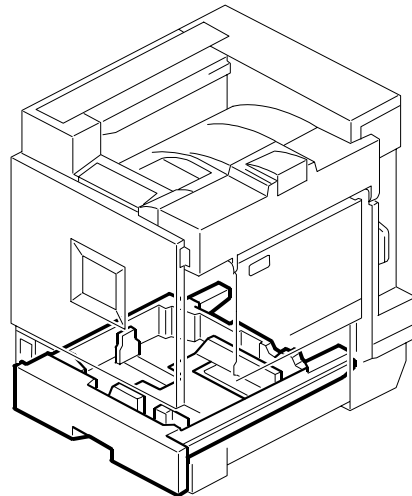
See Page 13

4. 1st Cassette (G060)



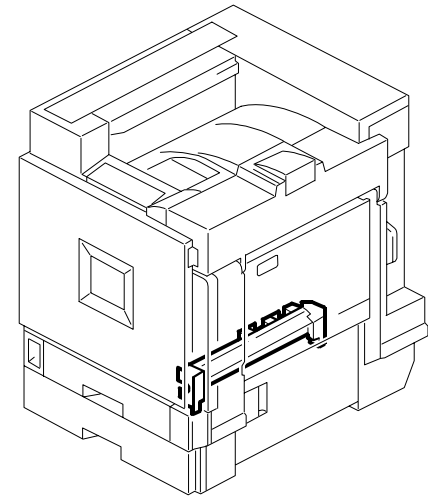
See Page 15

5. 2nd Cassette (G060)



See Page 17

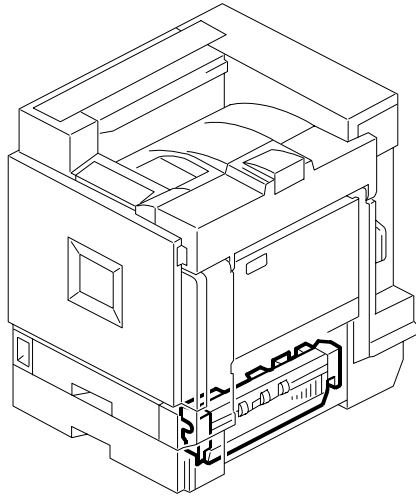
6. 1st Paper Feed Section (G060)



See Page 19

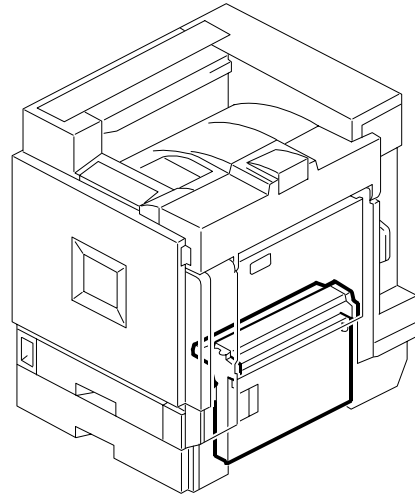
LOCATIONS OF UNITS

7. 2nd Paper Feed Section (G060)



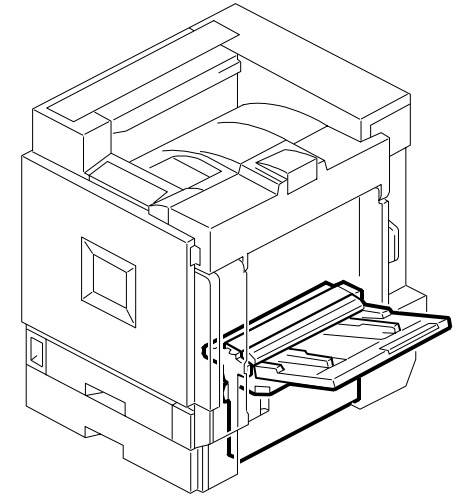
See Page 21

8. Vertical Transport Section (G060)



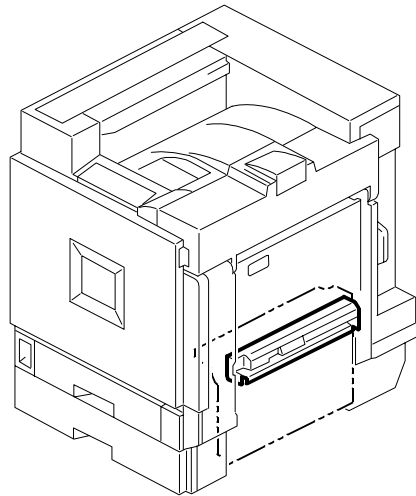
See Page 23

9. Manual Paper Feed 1 (G060)



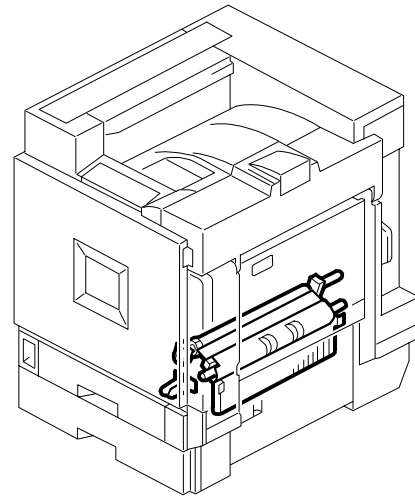
See Page 25

10. Manual Paper Feed 2 (G060)



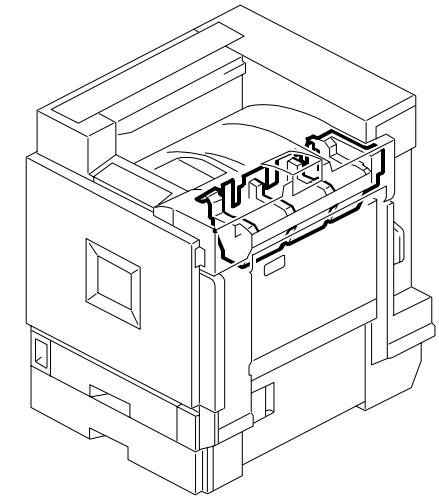
See Page 27

11. Paper Registration (G060)



See Page 29

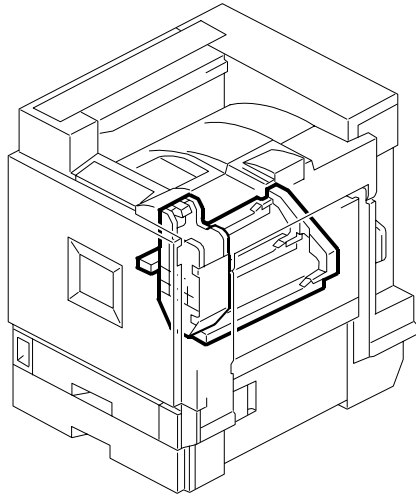
12. Color Toner Hopper (G060)



See Page 31

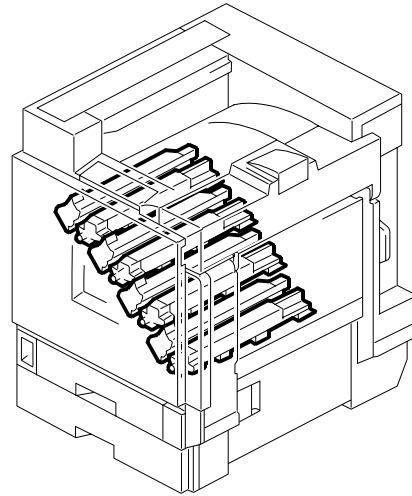
LOCATIONS OF UNITS

13. Black Toner Hopper (G060)



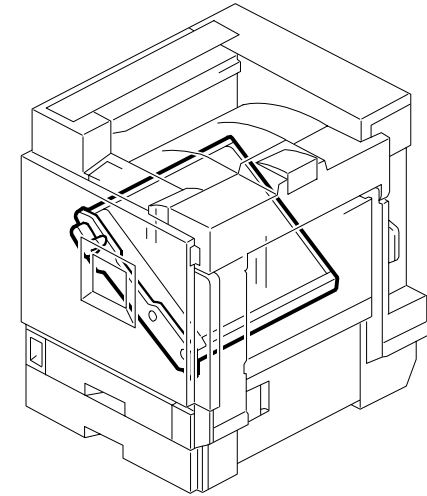
See Page 33

14. PCU/Development Unit (G060)



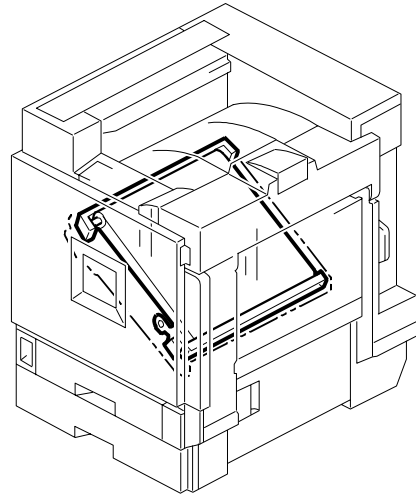
See Page 35

15. Transfer Unit 1 (G060)



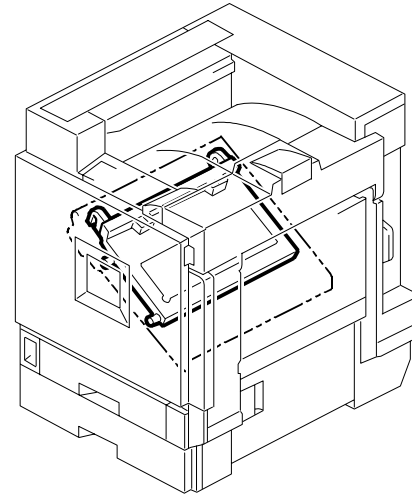
See Page 37

16. Transfer Unit 2 (G060)



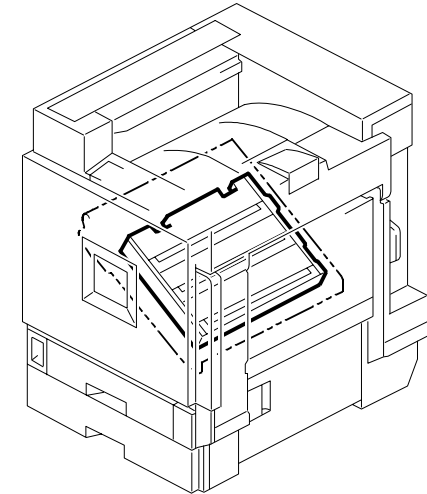
See Page 39

17. Transfer Unit 3 (G060)



See Page 41

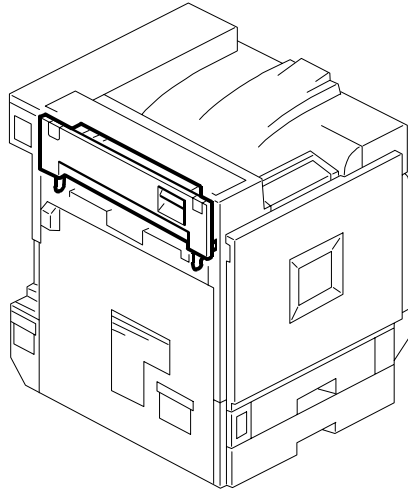
18. Transfer Unit 4 (G060)



See Page 43

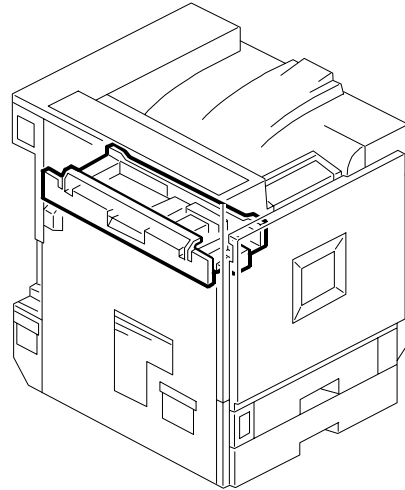
LOCATIONS OF UNITS

19. Paper Exit Section 1 (G060)



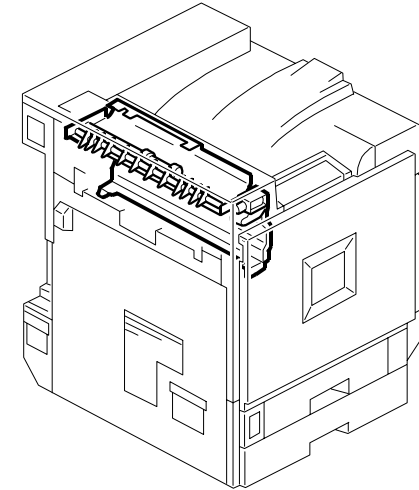
See Page 45

20. Paper Exit Section 2 (G060)



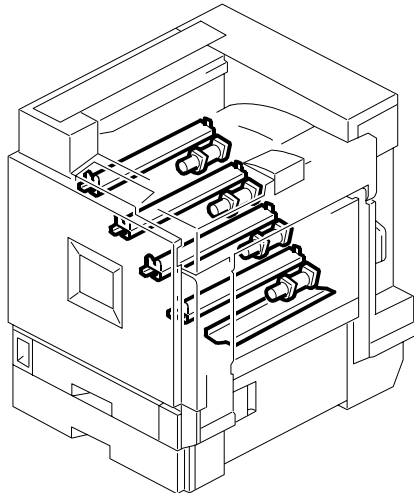
See Page 47

21. Paper Exit Section 3 (G060)



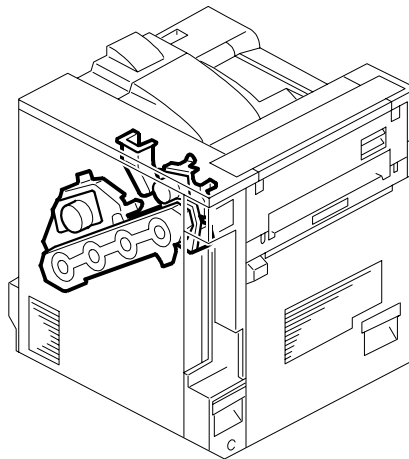
See Page 49

22. Waste Toner Transfer Section (G060)



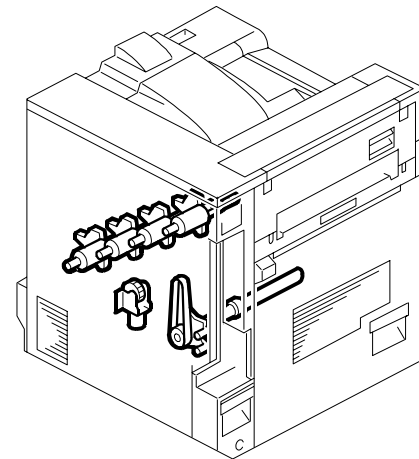
See Page 51

23. Drive Section 1 (G060)



See Page 53

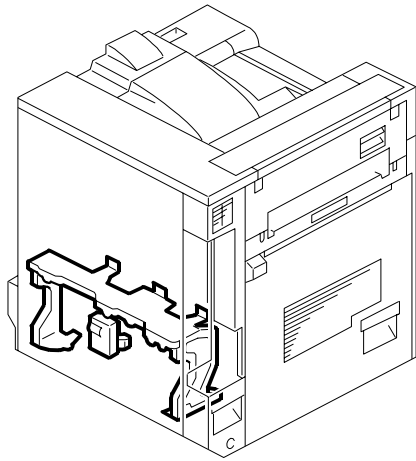
24. Drive Section 2 (G060)



See Page 55

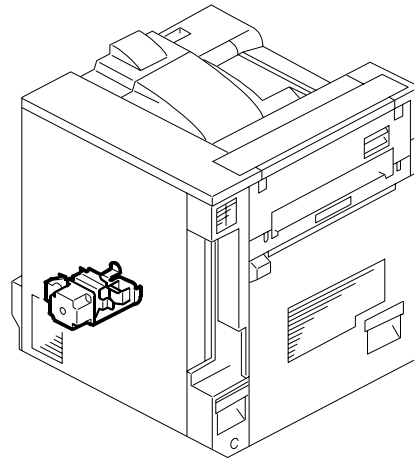
LOCATIONS OF UNITS

25. Drive Section 3 (G060)



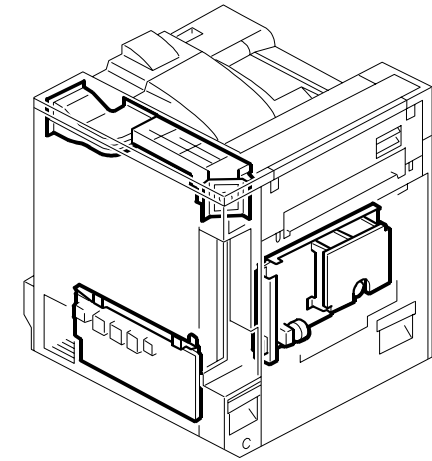
See Page 57

26. Drive Section 4 (G060)



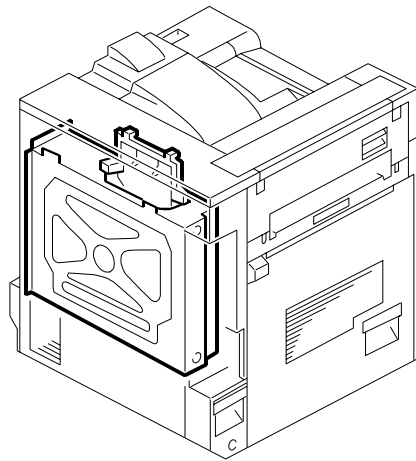
See Page 59

27. Electrical Section 1 (G060)



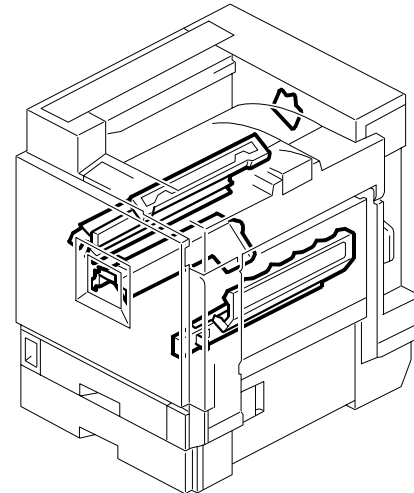
See Page 61

28. Electrical Section 2 (G060)



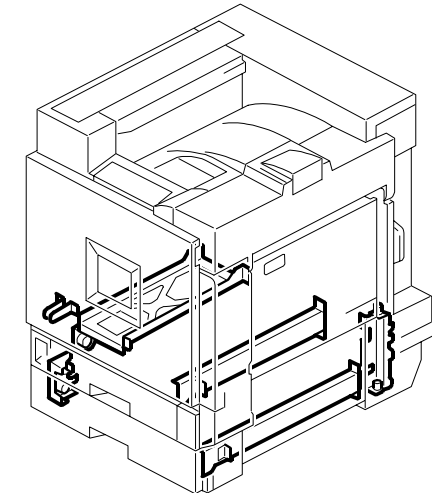
See Page 63

29. Frame Section 1 (G060)



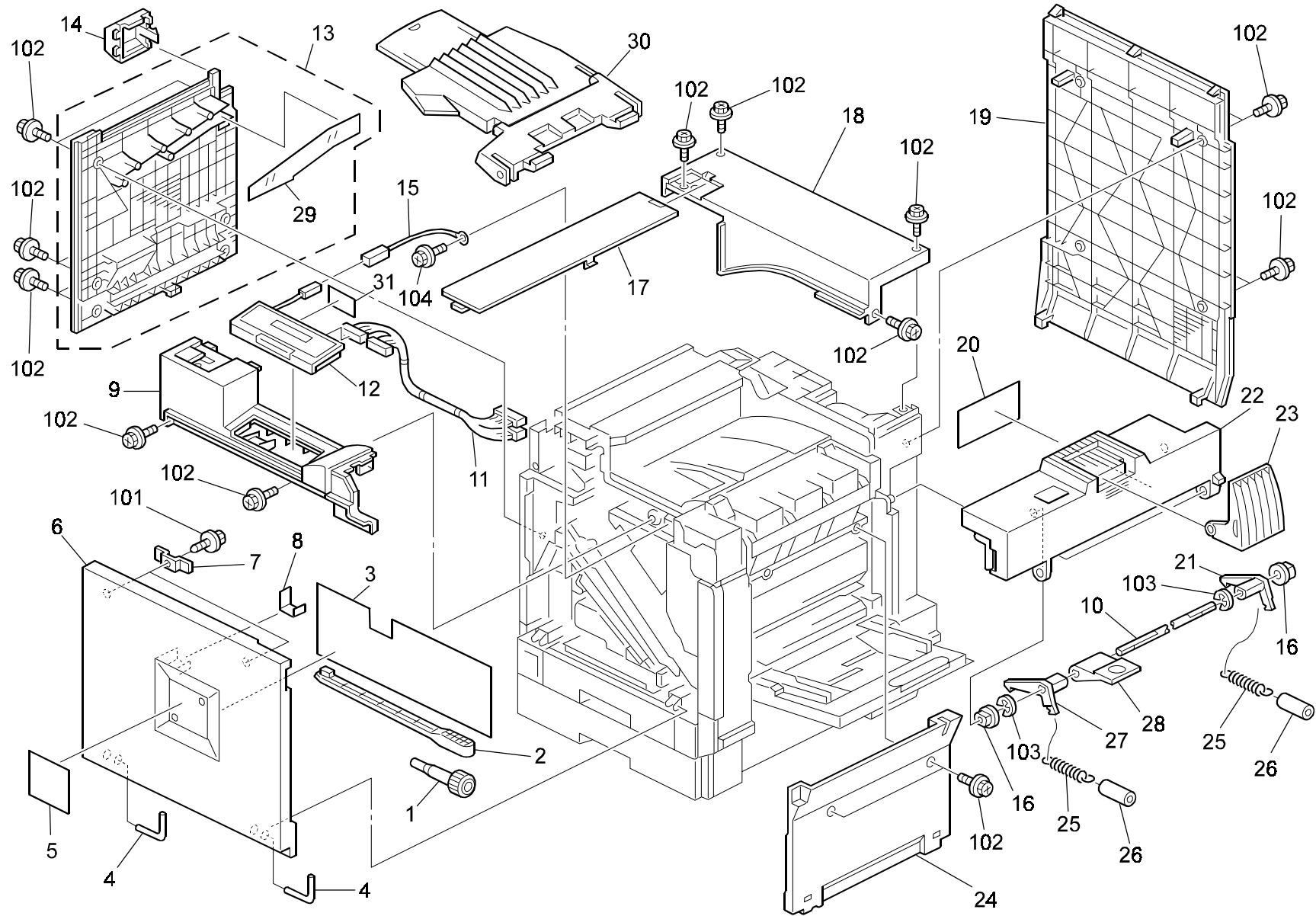
See Page 65

30. Frame Section 2 (G060)



See Page 67

1.Exterior 1 (G060)

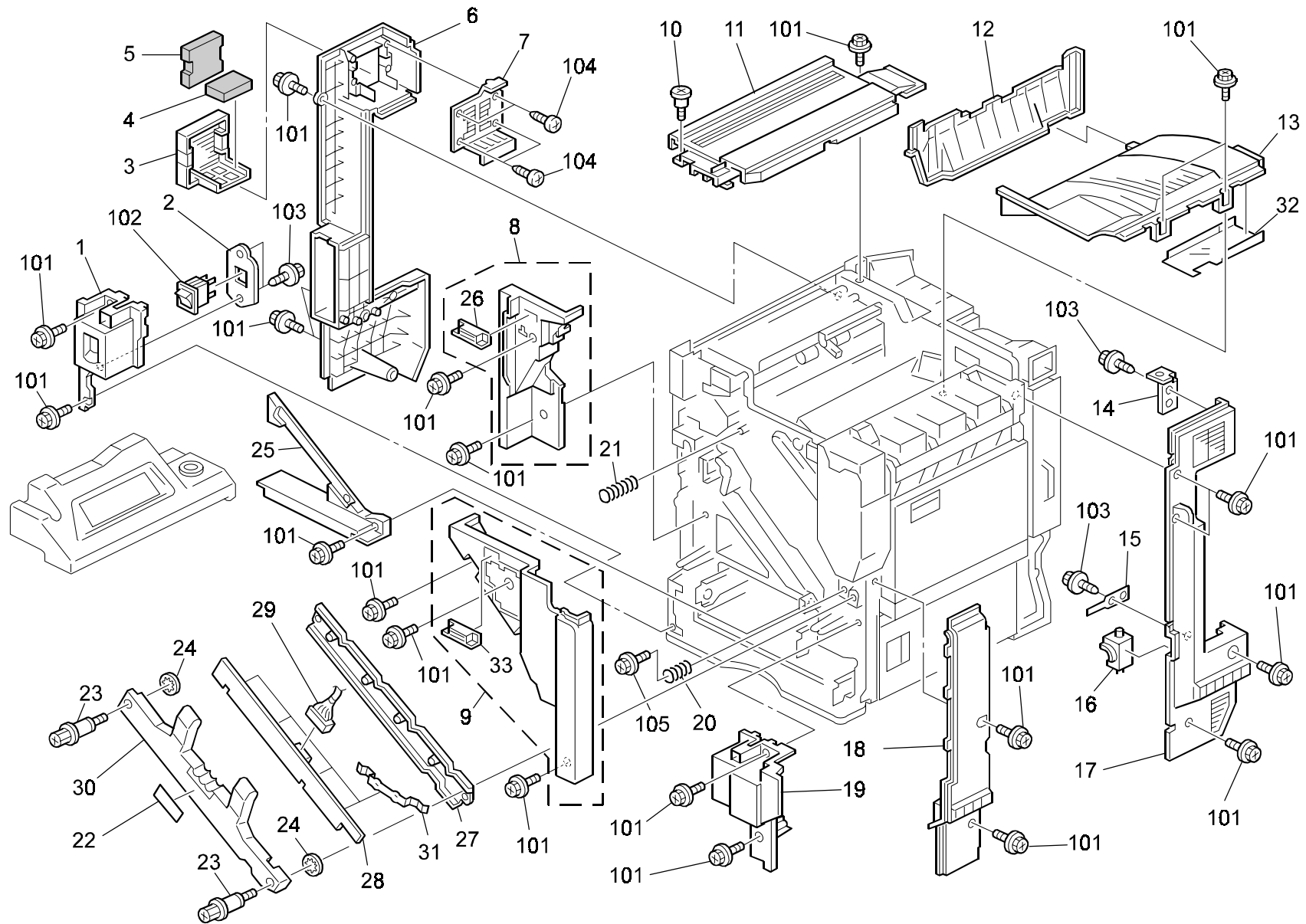


1.Exterior 1 (G060)

Index No.	Part No.	Description	Q'ty Per Assembly
1	G060 2989	Screw Driver	1
2	G060 1995	Cleaner - Dust Proof Glass	1
3	G060 1292	Sheet - Jam Removal	1
4	G020 1332	Hinge - Front Cover	4
5	G060 7005	Decal - Emblem (RIC)	1
5	G060 7405	Decal - Emblem (RIC AP828)	1
5	G060 7505	Decal - Emblem (SVN)	1
5	G060 7506	Decal - Emblem (GES NA)	1
5	G060 7605	Decal - Emblem (NSA)	1
5	G060 7606	Decal - Emblem (REX)	1
5	G060 7607	Decal - Emblem (GES EU)	1
5	G060 7705	Decal - Emblem (INF)	1
5	G060 7805	Decal - Emblem (LAN)	1
6	G060 1262	Front Cover	1
7	A267 1264	Magnet Catch - Front Cover	1
8	GA16 2001	Sheet - Front Cover	1
9	G060 1283	Upper Inner Cover	1
10	G060 1314	Stopper Pawl Shaft	1
11	G060 5484	Harness - Operation Panel	1
12	G060 7011	Operation Panel - LT	1
12	G060 7111	Operation Panel - A4	1
13	G060 1220	Lower Left Cover	1
14	G060 1289	Small Cover - Option	1
15	G024 5115	Ground Harness - Operation Panel	1
16	AA08 2101	Bushing - 6x10x6	2
17	G060 1288	Large Cover - Option	1
18	G060 1272	Upper Rear Cover	1
19	G060 1268	Rear Cover	1
20	GA00 3009	Sheet - Toner Supply	1
21	G060 1313	Rear Stopper Pawl	1
22	G060 1265	Right Upper Cover	1
23	G060 1293	Exit End Fence	1
24	G060 1224	Inner Cover - Manual Feed	1
25	G060 1316	Spring - Stopper Pawl	2
26	G060 1317	Tube - 6x20	2

Index No.	Part No.	Description	Q'ty Per Assembly
27	G060 1312	Front Stopper Pawl	1
28	G060 1315	Grip - Right Upper Cover	1
29	G060 1291	Cover Duct Mylar Film	1
30	G060 4490	Exit Tray	1
31	G060 1490	Seal - Operation Panel	1
101	0450 3008B	Tapping Screw - M3x8	
102	0451 3008H	Tapping Screw - M3x8	
103	0720 0040E	Retaining Ring - M4	
104	0451 3006B	Tapping Screw - M3x6	

2.Exterior 2 (G060)

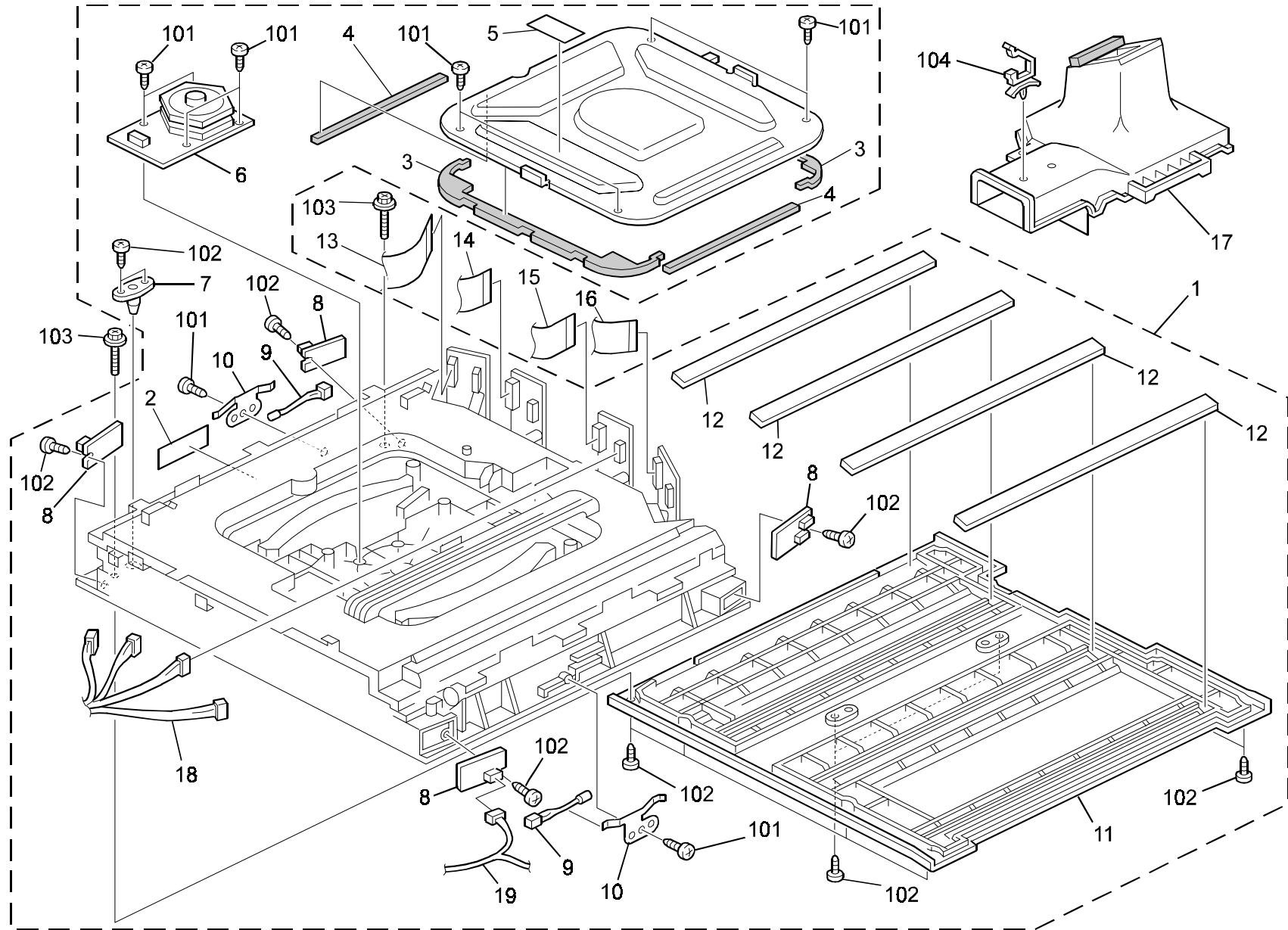


2.Exterior 2 (G060)

Index No.	Part No.	Description	Q'ty Per Assembly
1	G060 1271	Front Cover - Left Lower	1
2	G060 5813	Bracket - Main Switch	1
3	G060 1300	Filter Case	1
4	GA01 2001	Lower Filter	1
5	GA01 2000	Upper Filter	1
6	G060 1269	Left Rear Cover	1
7	G060 1281	Louver - Left Rear Cover	1
8	G060 1208	Left Inner Cover	1
9	G060 1205	Right Inner Cover	1
10	AA14 3219	Stepped Screw	1
11	G060 1274	Upper Exit Cover	1
12	G060 1279	Exit Cover	1
13	G060 1275	Upper Cover - Exit Tray	1
14	G060 1280	Supporting Plate - Right Rear Cover	1
15	G060 2950	Spring Plate - Clutch Cover	1
16	G060 2949	Magnetic Clutch Cover	1
17	G060 1267	Right Rear Cover	1
18	G060 1287	Front Right Cover	1
19	G060 1266	Front Cover - Right Lower	1
20	G060 2482	Right Spring - Drum Stay	1
21	G060 2481	Left Spring - Drum Stay	1
22	GA00 3025	Decal - Drum Stay	1
23	G060 2460	Screw - M4X6	2
24	G060 2461	Nut - M7	2
25	G060 1285	Lower Inner Cover	1
26	AG07 1011	Magnet Catch	2
27	G060 2451	Drum Stay	1
28	G060 2457	Unit Detection Switch	1
29	G060 5489	Harness - Unit Detection Switch	1
30	G060 2455	Cover - Drum Stay	1
31	G060 2456	Spring Plate- Unit Detection Switch	4
32	G060 1278	Film - Upper Cover	1

Index No.	Part No.	Description	Q'ty Per Assembly
101	0451 3008H	Tapping Screw - M3x8	
102	1204 2533	Switch - AJ76200PZ02	
103	0450 3008B	Tapping Screw - M3x8	
104	0452 3008B	Tapping Screw - M3x8	
105	0451 3006B	Tapping Screw - M3x6	

3.Laser Unit (G060)

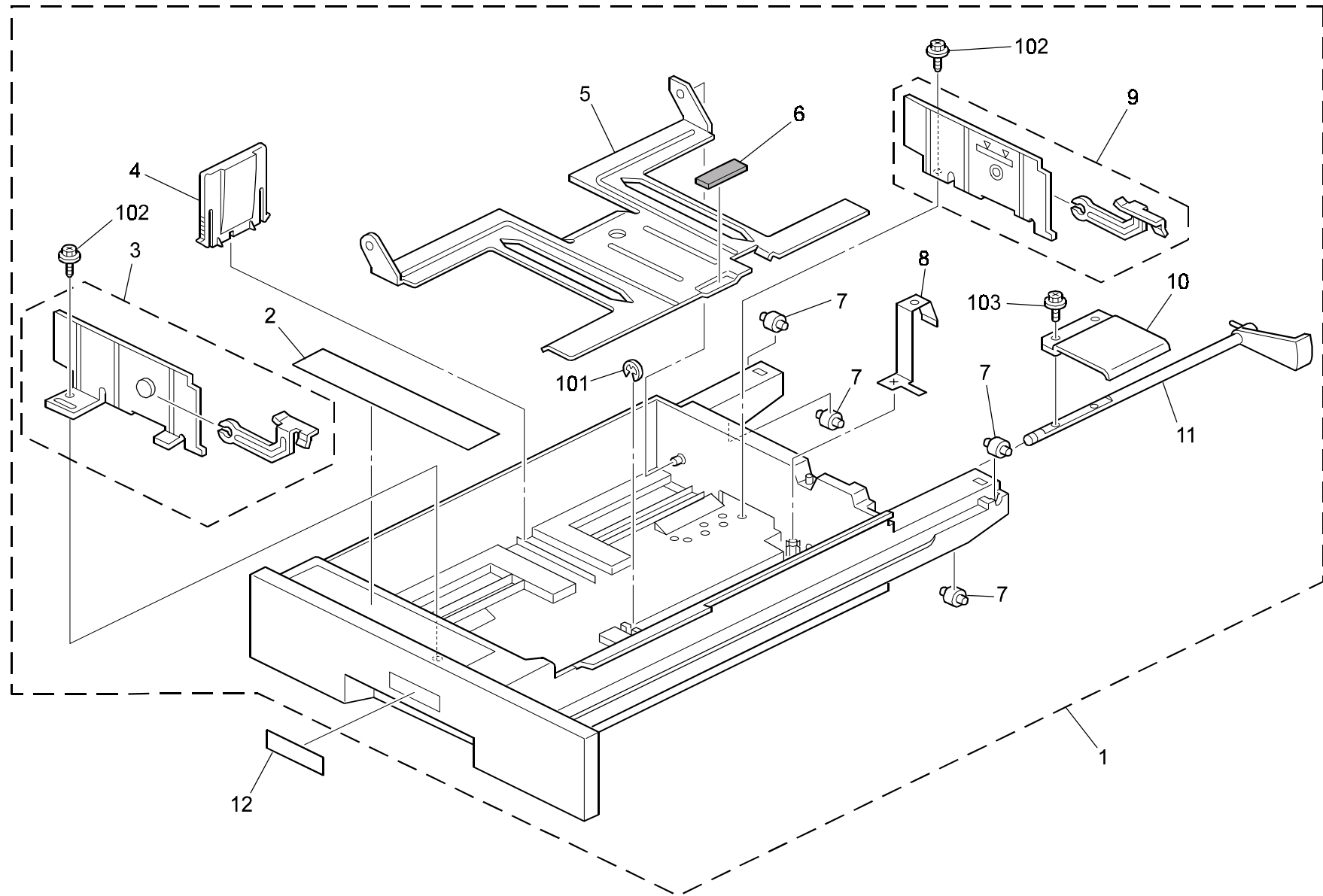


3.Laser Unit (G060)

Index No.	Part No.	Description	Q'ty Per Assembly
1	G060 1855	Imaging Unit	1
2	AA00 0218	Caution Decal	1
3	G060 1907	Cover Seal - 2	2
4	G060 1906	Cover Seal - 1	2
5	AA00 0217	Decal - LD 655	1
6	AX06 0212	Polygon Mirror Motor - DC24W	1
7	G060 1901	Positioning Pin	1
8	G060 5322	Sync Detector Board	4
9	AW10 0065	Thermistor - 103AT-4	2
10	G060 1908	Thermistor Plate	2
11	G060 1975	Lower Cover	1
12	AC01 5035	Shield Glass	4
13	G060 5522	Harness - FFC Y	1
14	G060 5523	Harness - FFC K	1
15	G060 5520	Harness - FFC M	1
16	G060 5521	Harness - FFC C	1
17	G060 1041	Imaging Unit Duct	1
18	G060 5473	Imaging Unit Harness	1
19	G060 5494	Syncronization Detector Harness	1

Index No.	Part No.	Description	Q'ty Per Assembly
101	0452 3008B	Tapping Screw - M3x8	
102	0452 3010B	Tapping Bind Screw - M3x10	
103	0451 3010B	Tapping Screw - M3x10	
104	1105 0488	Harness Clamp	

4.1st Cassette (G060)

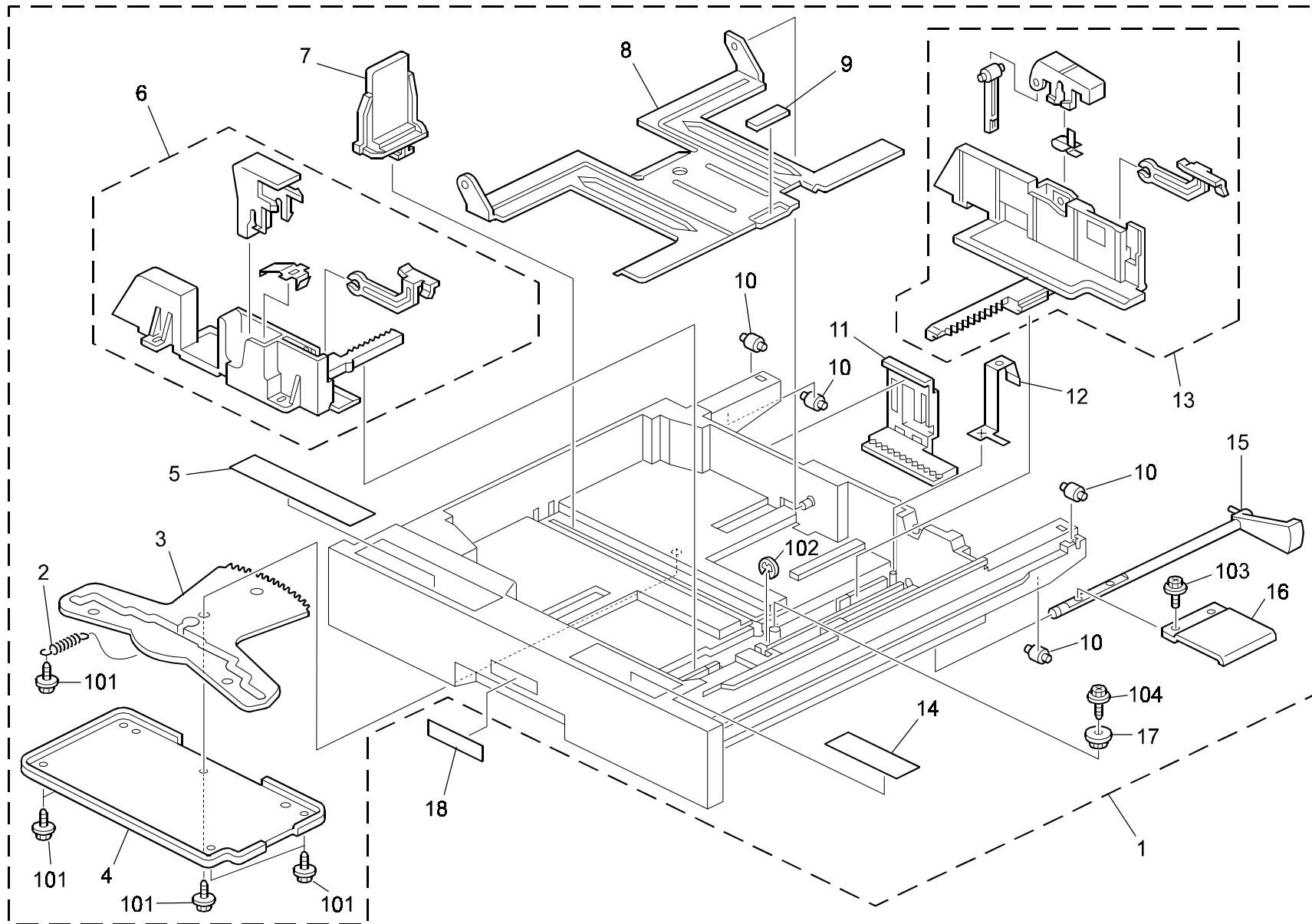


4.1st Cassette (G060)

Index No.	Part No.	Description	Q'ty Per Assembly
1	G060 2769	Paper Tray 1	1
2	GA00 3011	Decal - Paper Tray 1	1
3	G060 2777	Front Side Fence	1
4	AF01 7023	End Fence	1
5	AF01 1046	Tray Bottom Plate	1
6	AF01 3014	Bottom Plate Pad	1
7	A232 2987	Roller - Paper Tray	4
8	G060 2775	Spring Plate - Paper Tray	1
9	G060 2778	Rear Side Fence	1
10	A204 2972	Bottom Lift Lever	1
11	G060 2774	Lift Shaft	1
12	GA00 3014	Decal - Paper Tray	1

Index No.	Part No.	Description	Q'ty Per Assembly
101	0720 0060B	Retaining Ring - M6	
102	0450 4008B	Tapping Screw - 4x8	
103	0314 0060B	Philips Pan Head Screw - M4X6	

5.2nd Cassette (G060)

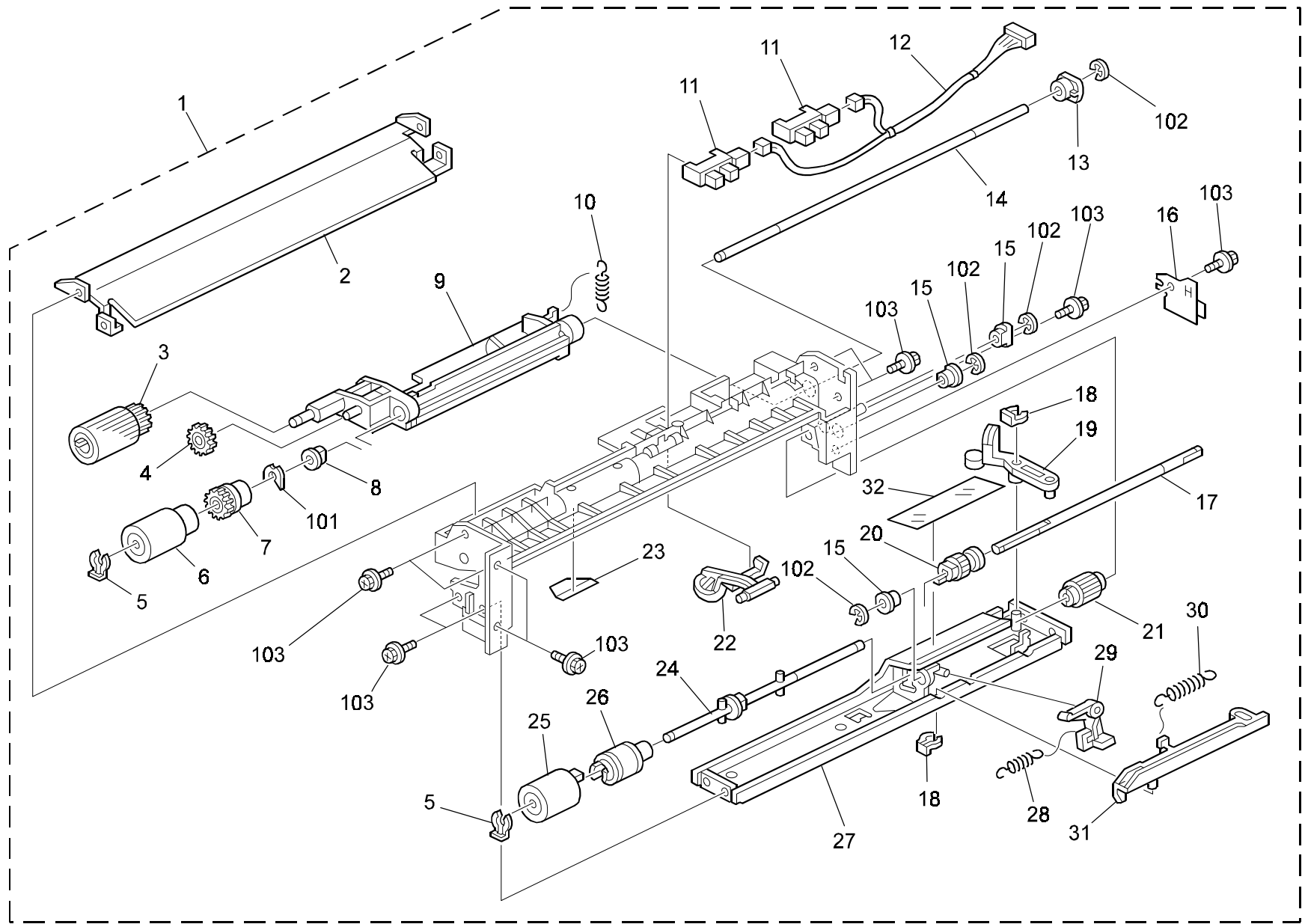


5.2nd Cassette (G060)

Index No.	Part No.	Description	Q'ty Per Assembly
1	G060 2771	Paper Tray 2	1
2	G060 2806	Tension Spring - Paper Size Sensor Board	1
3	G060 2796	Link - Paper Size Sensor Board	1
4	G060 2798	Cover - Paper Size Sensor	1
5	GA00 3012	Decal - Paper Tray 2 Left	1
6	G060 2781	Front Side Fence - Universal	1
7	AF01 7024	End Fence - Universal	1
8	AF01 1046	Tray Bottom Plate	1
9	AF01 3014	Bottom Plate Pad	1
10	A232 2987	Roller - Paper Tray	4
11	G060 2797	Paper Size Sensor Board	1
12	G060 2775	Spring Plate - Paper Tray	1
13	G060 2782	Rear Side Fence - Universal	1
14	GA00 3013	Decal - Paper Tray 2 Right	1
15	G060 2774	Lift Shaft	1
16	A204 2972	Bottom Lift Lever	1
17	AB01 3868	Gear - 16Z	1
18	GA00 3014	Decal - Paper Tray	1

Index No.	Part No.	Description	Q'ty Per Assembly
101	0450 3008B	Tapping Screw - M3x8	
102	0720 0060B	Retaining Ring - M6	
103	0451 4006B	Tapping Screw - 4x6	
104	0450 4008B	Tapping Screw - 4x8	

6.1st Paper Feed Section (G060)

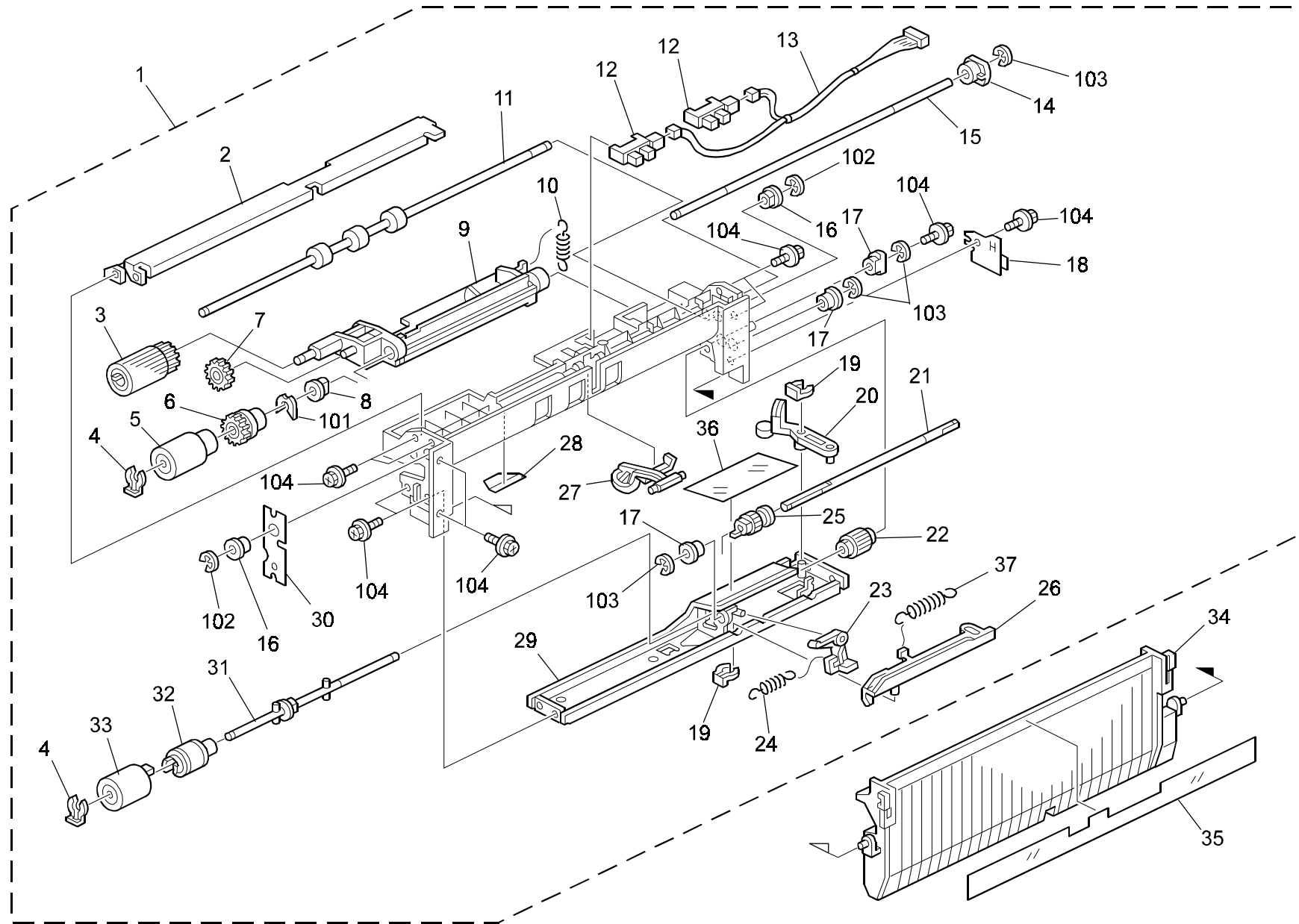


6.1st Paper Feed Section (G060)

Index No.	Part No.	Description	Q'ty Per Assembly
1	G060 2700	Paper Feed Unit 1	1
2	G060 2716	Feed Stay	1
3	AF03 0045	Pick-up Roller	1
4	AB01 1188	Gear - 21Z	1
5	AA10 0014	Retaining Ring C - Separate	2
6	AF03 1045	Feed Roller	1
7	AB01 1218	Gear - Roller Clutch	1
8	AA08 2101	Bushing - 6x10x6	1
9	A232 2763	Pick-up Arm	1
10	AA06 0691	Tension Spring	1
11	AW02 0120	Photointerruptor - Flat	2
12	G060 5483	Harness - Paper Feed Unit	1
13	AA08 3017	Roller Clutch - 6x14x10	1
14	AA14 0655	Shaft - Paper Feed	1
15	AA08 2102	Bushing - 6x10x6	3
16	A232 2764	Rear Grounding Plate	1
17	AA14 0656	Shaft - Gear	1
18	5206 2686	Snap Ring	2
19	A232 2776	Release Lever	1
20	AB01 0106	Gear - 24Z	1
21	AB01 0107	Gear - 23Z	1
22	A232 2762	Paper End Feeler	1
23	A232 2766	Feed Mylar	1
24	G060 2689	Shaft - Separation Driven	1
25	AF03 2045	Separation Roller	1
26	G060 2900	Torque Limiter - 40MN MM8	1
27	A232 2770	Stay - Paper Separation	1
28	AA06 0693	Tension Spring	1
29	A232 2774	Pressure Lever	1
30	AA06 0692	Tension Spring	1
31	A232 2775	Link Lever	1
32	A232 2782	Rear Feed Mylar	1

Index No.	Part No.	Description	Q'ty Per Assembly
101	0805 0089	Retaining Ring - M4	
102	0720 0040B	Retaining Ring - M4	
103	0451 3006B	Tapping Screw - M3x6	

7.2nd Paper Feed Section (G060)

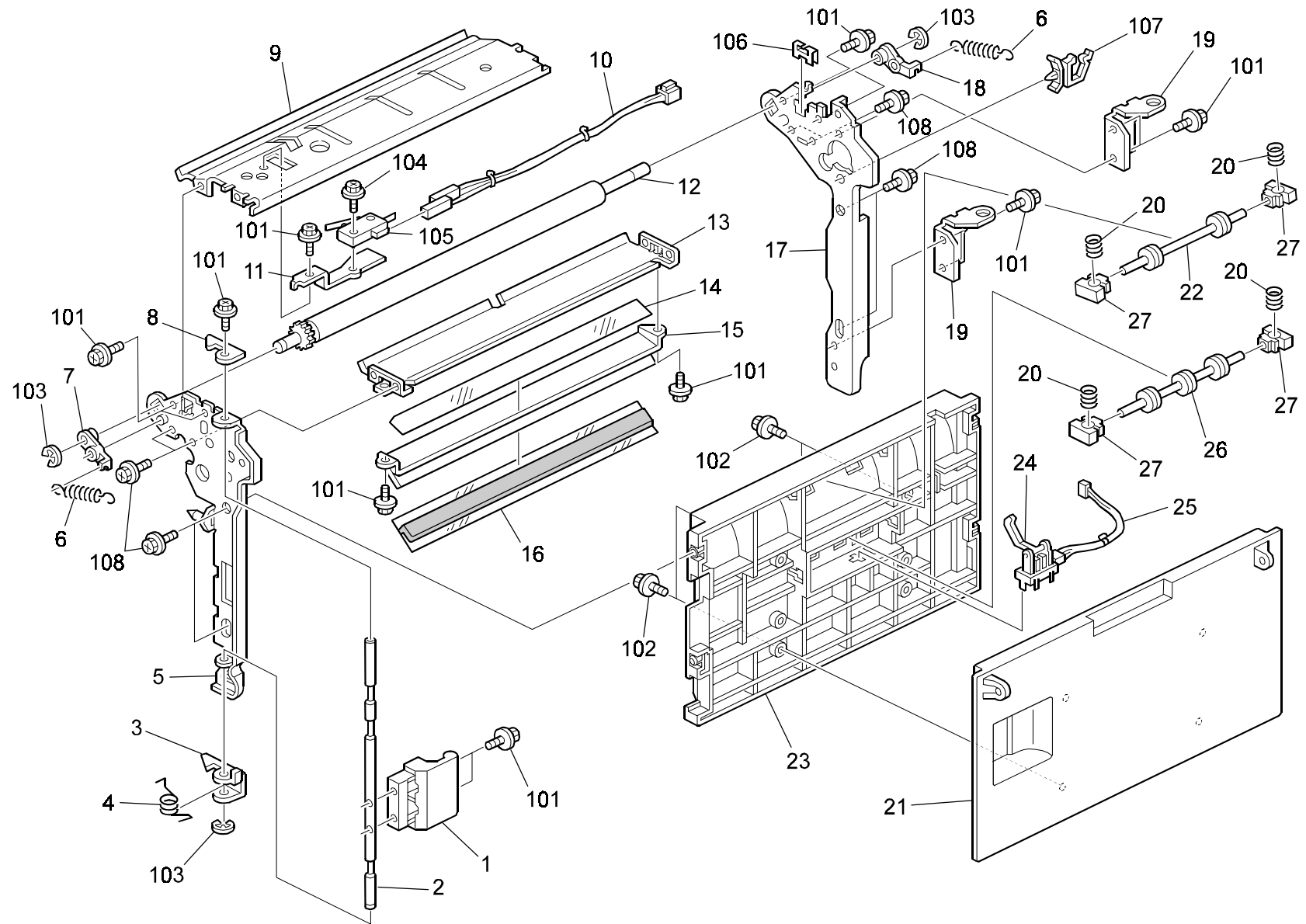


7.2nd Paper Feed Section (G060)

Index No.	Part No.	Description	Q'ty Per Assembly
1	G060 2750	Paper Feed Unit 2	1
2	A232 2780	Stay - Paper Feed	1
3	AF03 0045	Pick-up Roller	1
4	AA10 0014	Retaining Ring C - Separate	2
5	AF03 1045	Feed Roller	1
6	AB01 1218	Gear - Roller Clutch	1
7	AB01 1188	Gear - 21Z	1
8	AA08 2101	Bushing - 6x10x6	1
9	A232 2763	Pick-up Arm	1
10	AA06 0691	Tension Spring	1
11	AF02 0404	Transport Roller	1
12	AW02 0120	Photointerruptor - Flat	2
13	G060 5483	Harness - Paper Feed Unit	1
14	AA08 3017	Roller Clutch - 6x14x10	1
15	AA14 0655	Shaft - Paper Feed	1
16	AA08 2104	Bushing - 8x12x7	2
17	AA08 2102	Bushing - 6x10x6	3
18	A232 2764	Rear Grounding Plate	1
19	5206 2686	Snap Ring	1
20	A232 2776	Release Lever	1
21	AA14 0656	Shaft - Gear	1
22	AB01 0107	Gear - 23Z	1
23	A232 2774	Pressure Lever	1
24	AA06 0693	Tension Spring	1
25	AB01 0106	Gear - 24Z	1
26	A232 2775	Link Lever	1
27	A232 2762	Paper End Feeler	1
28	A232 2766	Feed Mylar	1
29	A232 2770	Stay - Paper Separation	1
30	A232 2765	Front Grounding Plate	1
31	G060 2689	Shaft - Separation Driven	1
32	G060 2900	Torque Limiter - 40MN MM8	1
33	AF03 2045	Separation Roller	1
34	G060 2629	Vertical Transport Guide	1
35	G060 2730	Guide Plate	1

Index No.	Part No.	Description	Q'ty Per Assembly
36	A232 2782	Rear Feed Mylar	1
37	AA06 0692	Tension Spring	1
101	0805 0089	Retaining Ring - M4	
102	0720 0060B	Retaining Ring - M6	
103	0720 0040B	Retaining Ring - M4	
104	0451 3006B	Tapping Screw - M3x6	

8.Vertical Transport Section (G060)

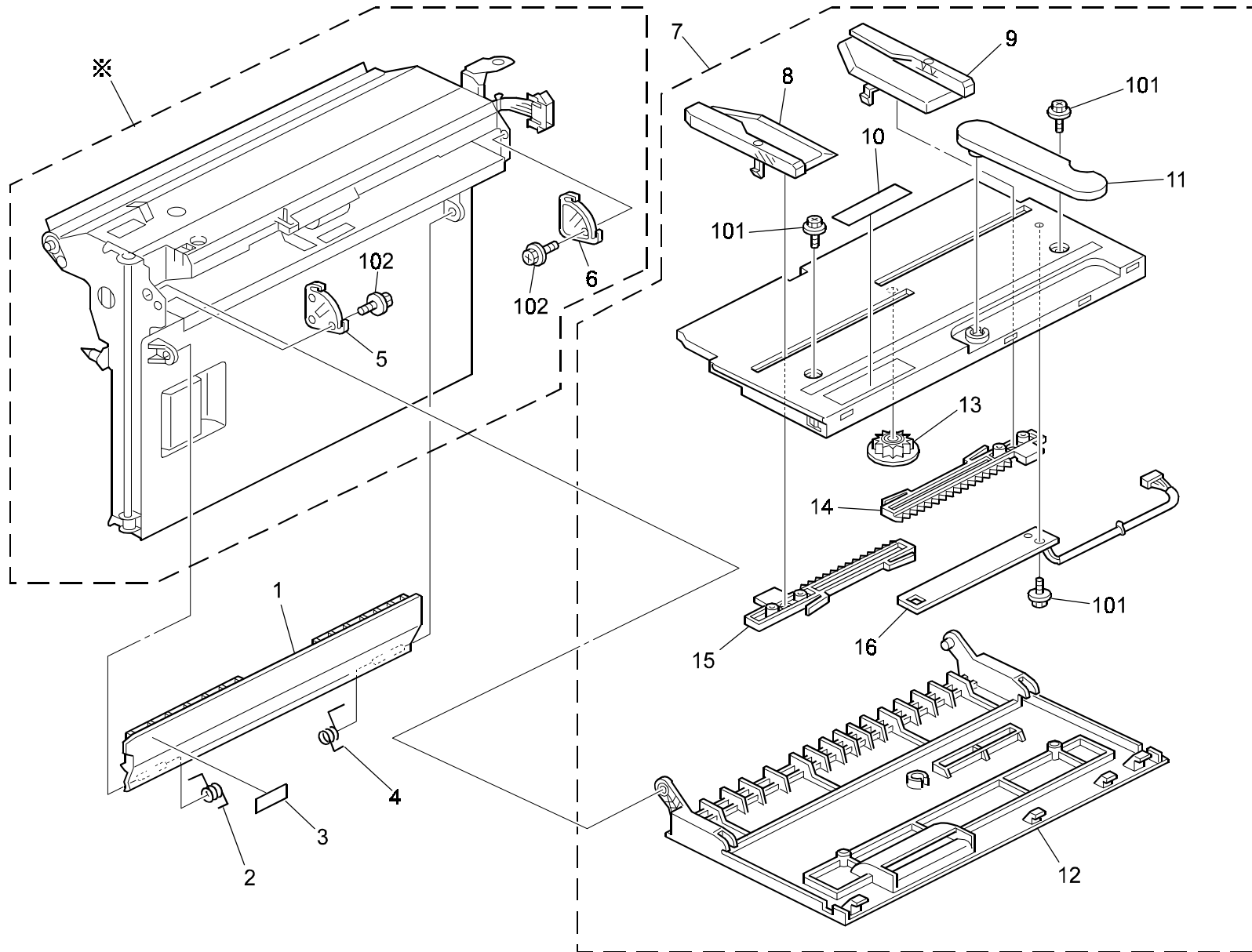


8.Vertical Transport Section (G060)

Index No.	Part No.	Description	Q'ty Per Assembly
1	G060 2670	Lever - Vertical Transport	1
2	G060 2673	Grip Shaft	1
3	G060 2672	Hook - Lower Vertical Transport	1
4	G060 2674	Torsion Spring - Vertical Transport	1
5	G060 2660	Front Side Plate - Paper Feed	1
6	G060 2602	Spring - Registration	2
7	G060 2650	Front Bushing - M6	1
8	G060 2671	Hook - Upper Vertical Transport	1
9	G060 2669	Cover - Upper Registration	1
10	G060 5501	Harness - Transport/Safety Switch	1
11	G060 2680	Bracket - Micro Switch	1
12	G060 2686	Registration Driven Roller	1
13	G060 2612	Guide Plate - Upper Registration	1
14	G060 2616	Guide - Upper Registration	1
15	G060 2614	Guide Plate - Middle Registration	1
16	G060 2615	Guide - Lower Registration	1
17	G060 2665	Rear Side Plate - Paper Feed	1
18	G060 2651	Rear Bushing - M6	1
19	G060 2667	Vertical Transport Hinge	2
20	AA06 3347	Spring - 8n	4
21	G060 2668	Cover - Lower Vertical Transport	1
22	AF02 2136	Driven Roller - 2xMM16	1
23	G060 2642	Guide Plate - Vertical Transport	1
24	AW02 0069	Photointerruptor	1
25	G060 5506	Sensor Harness - Paper Feed Unit	1
26	AF02 2135	Driven Roller - M3x16	1
27	G060 2652	Bushing - M4	4

Index No.	Part No.	Description	Q'ty Per Assembly
101	0451 3006B	Tapping Screw - M3x6	
102	0450 3008B	Tapping Screw - M3x8	
103	0720 0040B	Retaining Ring - M4	
104	0451 3014B	Tapping Screw - M3-14	
105	1204 2521	Micro Switch	
106	1105 0328	Harness Clamp - ES-0505	
107	1105 0487	Harness Clamp	
108	0452 3008B	Tapping Screw - M3x8	

9.Manual Paper Feed 1 (G060)

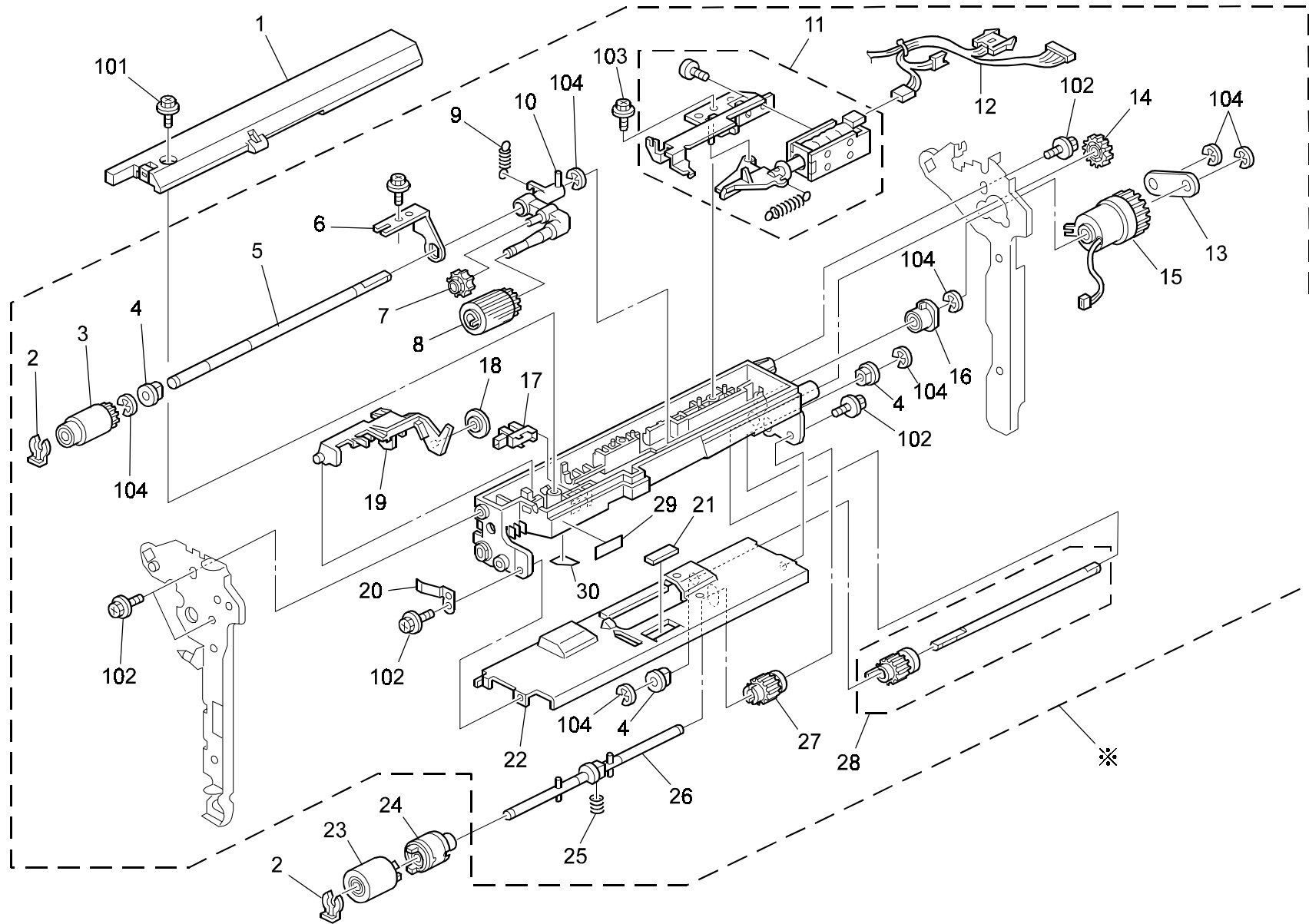


9.Manual Paper Feed 1 (G060)

Index No.	Part No.	Description	Q'ty Per Assembly
*	G060 2529	Vertical Transport Unit	1
1	G060 2940	Cover - Lower Manual Feed	1
2	G060 2953	Torsion Spring - Left	1
3	GA00 3029	Decal - Vertical Transport	1
4	G060 2952	Torsion Spring - Right	1
5	G060 2973	Front Shaft - Manual Feed Table	1
6	G060 2974	Rear Shaft - Manual Feed Table	1
7	G060 2856	Manual Feed Table Ass'y	1
8	G060 2866	Front Side Fence	1
9	G060 2867	Rear Side Fence	1
10	GA00 3010	Decal - Manual Feed	1
11	G060 2905	Paper Guide - Manual Feed Tabl	1
12	G060 2865	Cover - Manual Feed Table	1
13	G011 3305	Gear - 16T	1
14	A232 6083	Rear Rack	1
15	A232 6082	Front Rack	1
16	G060 2869	Paper Size Sensor	1

Index No.	Part No.	Description	Q'ty Per Assembly
101	0450 3008H	Tapping Screw M3x8	
102	0451 3006B	Tapping Screw - M3x6	

10. Manual Paper Feed 2 (G060)

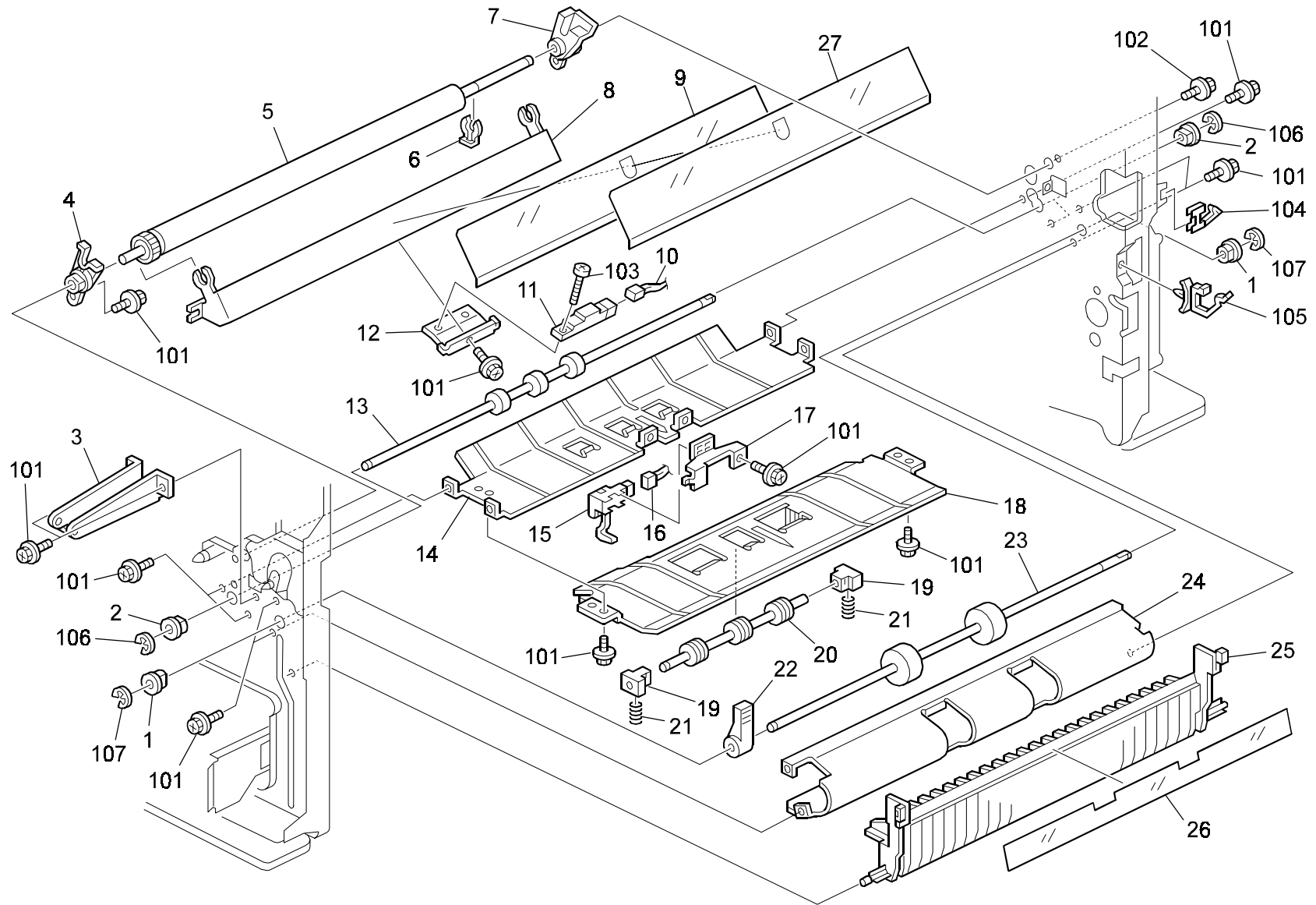


10.Manual Paper Feed 2 (G060)

Index No.	Part No.	Description	Q'ty Per Assembly
*	G060 2529	Vertical Transport Unit	1
1	G060 2930	Housing Cover	1
2	AA10 0014	Retaining Ring C - Separate	2
3	AF03 1046	Feed Roller - Manual Feed	1
4	AA08 2101	Bushing - 6x10x6	3
5	AA14 0730	Feed Shaft	1
6	G060 2914	Stopper Plate	1
7	AB01 1387	Gear - 23Z	1
8	AF03 0045	Pick-up Roller	1
9	AA06 3568	Pressure Spring	1
10	G060 2932	Pick-up Arm - Manual Feed	1
11	G060 2937	DC Solenoid - Pick-up	1
12	G060 5481	Harness - Manual Feed Unit	1
13	A166 2849	Drive Support Plate	1
14	AB01 1418	Gear - 27Z	1
15	AX20 0134	Magnetic Clutch - 245MN.M	1
16	AA08 3018	Roller Clutch - 6x14x10	1
17	AW02 0120	Photointerruptor - Flat	1
18	A134 2661	Feeler Roller	1
19	G060 2931	Feeler - Paper End	1
20	G060 2948	Grounding Plate - Reverse	1
21	AF01 3016	Bottom Plate Pad	1
22	G060 2874	Guide Plate - Separator	1
23	AF03 2046	Separation Roller - Manual Feed	1
24	G060 2900	Torque Limiter - 40MN M MM18	1
25	AA06 3499	Pressure Spring	1
26	G060 2871	Separation Driven Shaft	1
27	AB01 1417	Gear - Separation Driven	1
28	G060 2876	Shaft - Separation Drive	1
29	GA00 3029	Decal - Vertical Transport	1
30	G060 2982	Feed Guide	1

Index No.	Part No.	Description	Q'ty Per Assembly
101	0451 3008H	Tapping Screw - M3x8	
102	0451 3006B	Tapping Screw - M3x6	
103	0450 3008B	Tapping Screw - M3x8	
104	0720 0040B	Retaining Ring - M4	

11.Paper Resistration (G060)

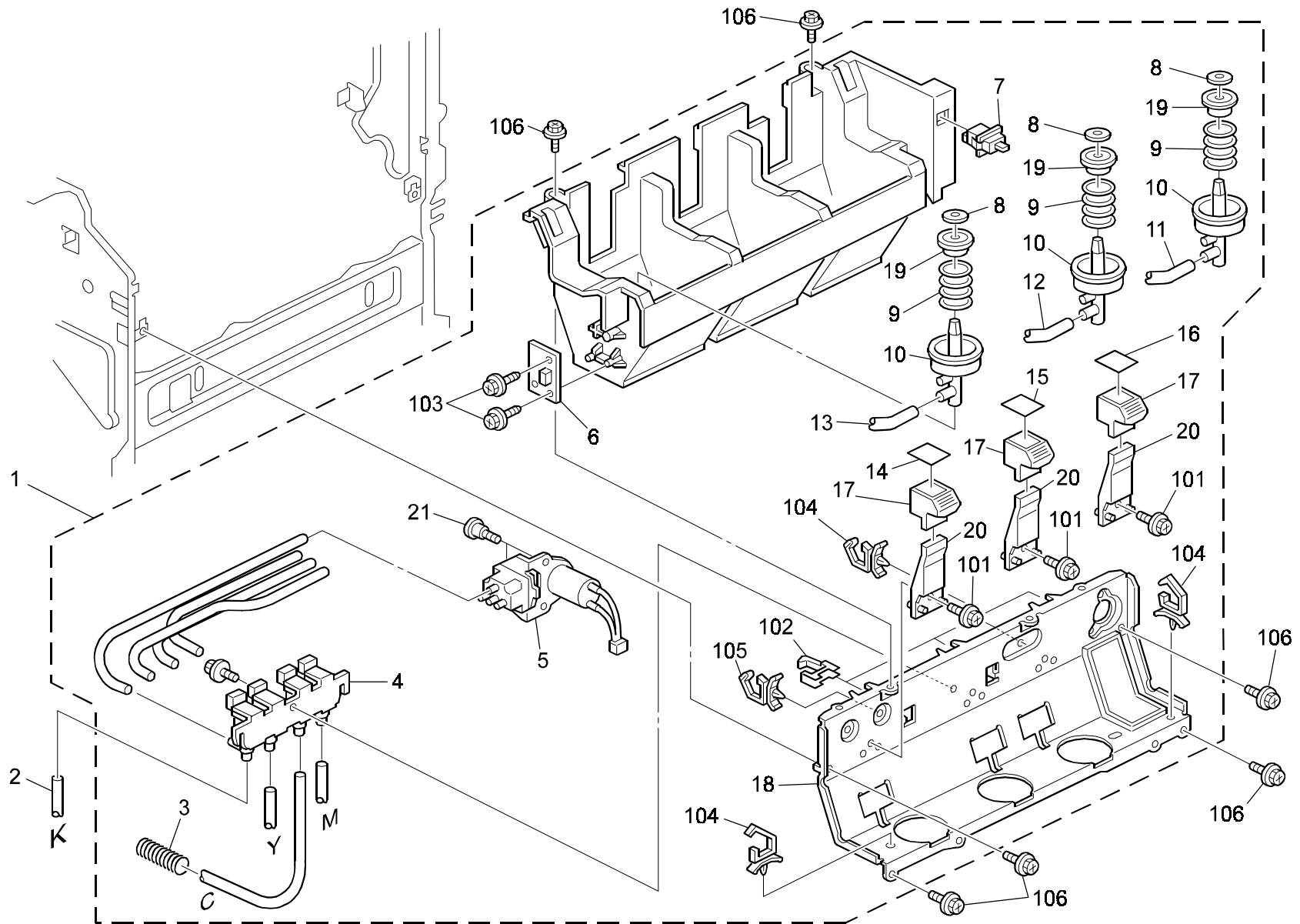


11.Paper Resistration (G060)

Index No.	Part No.	Description	Q'ty Per Assembly
1	AA08 2104	Bushing - 8x12x7	2
2	AA08 2101	Bushing - 6x10x6	2
3	G060 1277	Bracket - Front Cover Hinge	1
4	G060 2678	Front Registration Bushing - M8	1
5	G060 2685	Registration Drive Roller	1
6	5215 2621	Snap Ring - M6	1
7	G060 2679	Rear Registration Bushing - M8	1
8	G060 2606	Guide Plate - Lower Registration	1
9	G060 2607	Registration Guide	1
10	G060 5480	Harness - Registration Sensor	1
11	AW01 0048	Photosensor - GP2A28N1	1
12	G060 2609	Bracket - Registration Sensor	1
13	G060 2627	Transport Drive Roller	1
14	G060 2623	Duplex Guide Plate - Upper Exit	1
15	AW02 0096	Photointerrupter	1
16	G060 5482	Harness - Paper Feed Unit Sensor 1	1
17	G060 2631	Bracket - Paper Feed Sensor	1
18	G060 2622	Duplex Guide Plate - Lower Exit	1
19	G060 2652	Bushing - M4	2
20	AF02 2135	Driven Roller - M3x16	1
21	AA06 3347	Spring - 8n	2
22	G060 2681	Knob - Vertical Transport	1
23	G060 2626	Transport Drive Roller - Middle	1
24	G060 2617	Middle Guide Plate	1
25	G060 2619	Lower Middle Guide Plate	1
26	G060 2620	Entrance Middle Guide	1
27	G060 2604	Sheet - Registration Guide	1

Index No.	Part No.	Description	Q'ty Per Assembly
101	0451 3006B	Tapping Screw - M3x6	
102	0450 3006B	Tapping Screw - M3x6	
103	0313 0060B	Philips Pan Head Screw - M3x6	
104	1105 0522	Edge Saddle - LES0510	
105	1105 0487	Harness Clamp	
106	0720 0040B	Retaining Ring - M4	
107	0720 0060B	Retaining Ring - M6	

12. Color Toner Hopper (G060)

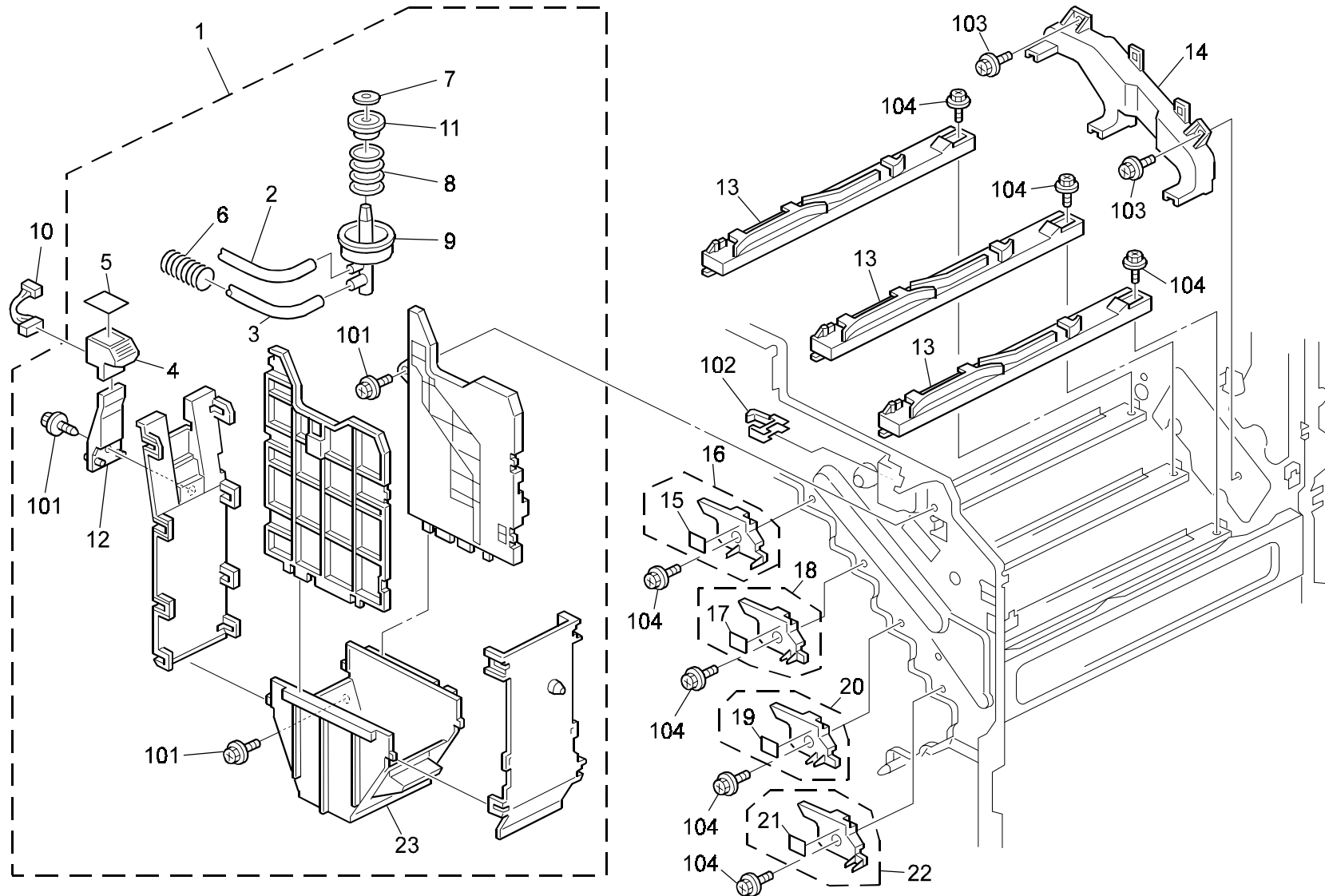


12.Color Toner Hopper (G060)

Index No.	Part No.	Description	Q'ty Per Assembly
1	G060 3201	Toner Cartridge Holder - Color	1
2	G060 3211	Tube - Valve K	1
3	AA06 3627	Coil - Tube Fuard	1
4	G060 3240	Valve	1
5	G060 3301	Air Pump - Toner Supply	1
6	AW14 0009	Humidity Sensor - RHU-232	1
7	AW50 0023	Push Switch	1
8	AA15 3461	Holder Seal	3
9	AA06 3626	Compression Spring - 4.9N	3
10	G060 3216	Toner Nozzle	3
11	G060 3239	Tube - M Toner Supply	1
12	G060 3238	Tube - C Toner Supply	1
13	G060 3237	Tube - Y Toner Supply	1
14	GA00 3016	Decal - Y Toner Supply	1
15	GA00 3018	Decal - C Toner Supply	1
16	GA00 3017	Decal - M Toner Supply	1
17	G060 5599	Toner Cartridge Stopper	3
18	G060 1094	Holder - Toner Supply Unit	1
19	G060 3219	Toner Cartridge Holder	3
20	G060 3232	Base - Toner Cartridge Stopper	3
21	G012 4617	Stepped Screw - M3	2

Index No.	Part No.	Description	Q'ty Per Assembly
101	0451 3006B	Tapping Screw - M3x6	
102	1105 0522	Edge Saddle - Les0510	
103	0450 3008B	Tapping Screw - M3x8	
104	1105 0511	Harness Clamp - LWS-0306ZC	
105	1105 0487	Harness Clamp	
106	0451 3008B	Tapping Screw - M3x8	

13.Black Toner Hopper (G060)

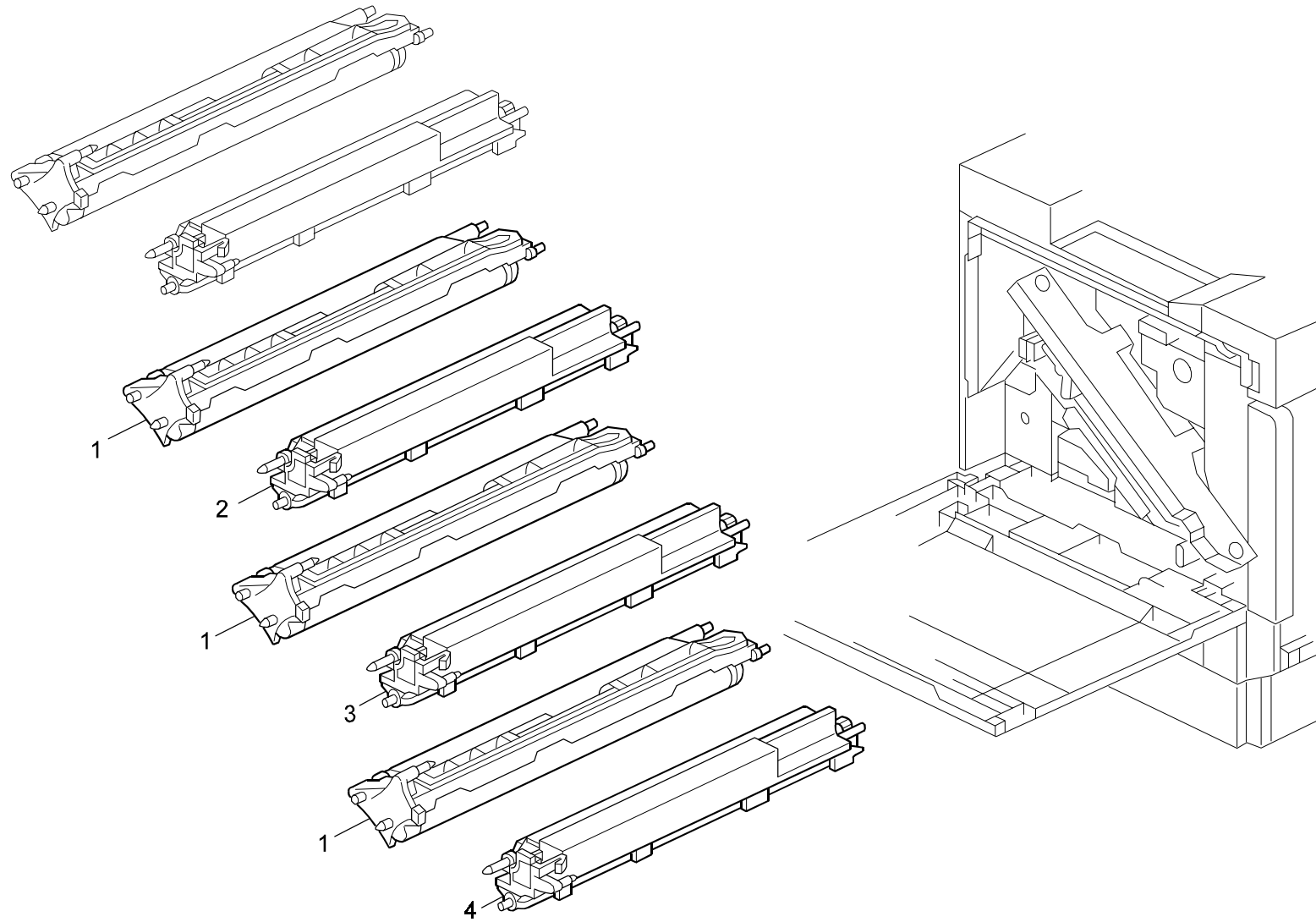


13.Black Toner Hopper (G060)

Index No.	Part No.	Description	Q'ty Per Assembly
1	G060 3202	Toner Cartridge Holder - BK	1
2	G060 3211	Tube - Valve K	1
3	G060 3236	Tube - K Toner Supply	1
4	G060 5599	Toner Cartridge Stopper	1
5	GA00 3019	Decal - K Toner Supply	1
6	AA06 3627	Coil - Tube Guard	1
7	AA15 3461	Holder Seal	1
8	AA06 3626	Compression Spring - 4.9N	1
9	G060 3216	Toner Nozzle	1
10	G060 5492	Harness - ID	1
11	G060 3219	Toner Cartridge Holder	1
12	G060 3232	Base - Toner Cartridge Stopper	1
13	G060 1196	Upper Guide Rail	3
14	G060 1198	PCU Duct	1
15	GA00 3033	Decal - Shielding Plate K	1
16	G060 3318	Shielding Plate - K Development	1
17	GA00 3030	Decal - Shielding Plate Y	1
18	G060 3321	Shielding Plate - Y Development	1
19	GA00 3032	Decal - Shielding Plate C	1
20	G060 3319	Shielding Plate - C Development	1
21	GA00 3031	Decal - Shielding Plate M	1
22	G060 3320	Shielding Plate - M Development	1
23	G060 3334	Toner Cartridge Holder	1

Index No.	Part No.	Description	Q'ty Per Assembly
101	0450 3008B	Tapping Screw - M3x8	
102	1105 0522	Edge Saddle - LES0510	
103	0451 3008B	Tapping Screw - M3x8	
104	0451 3006B	Tapping Screw - M3x6	

14.PCU/Development Unit (G060)

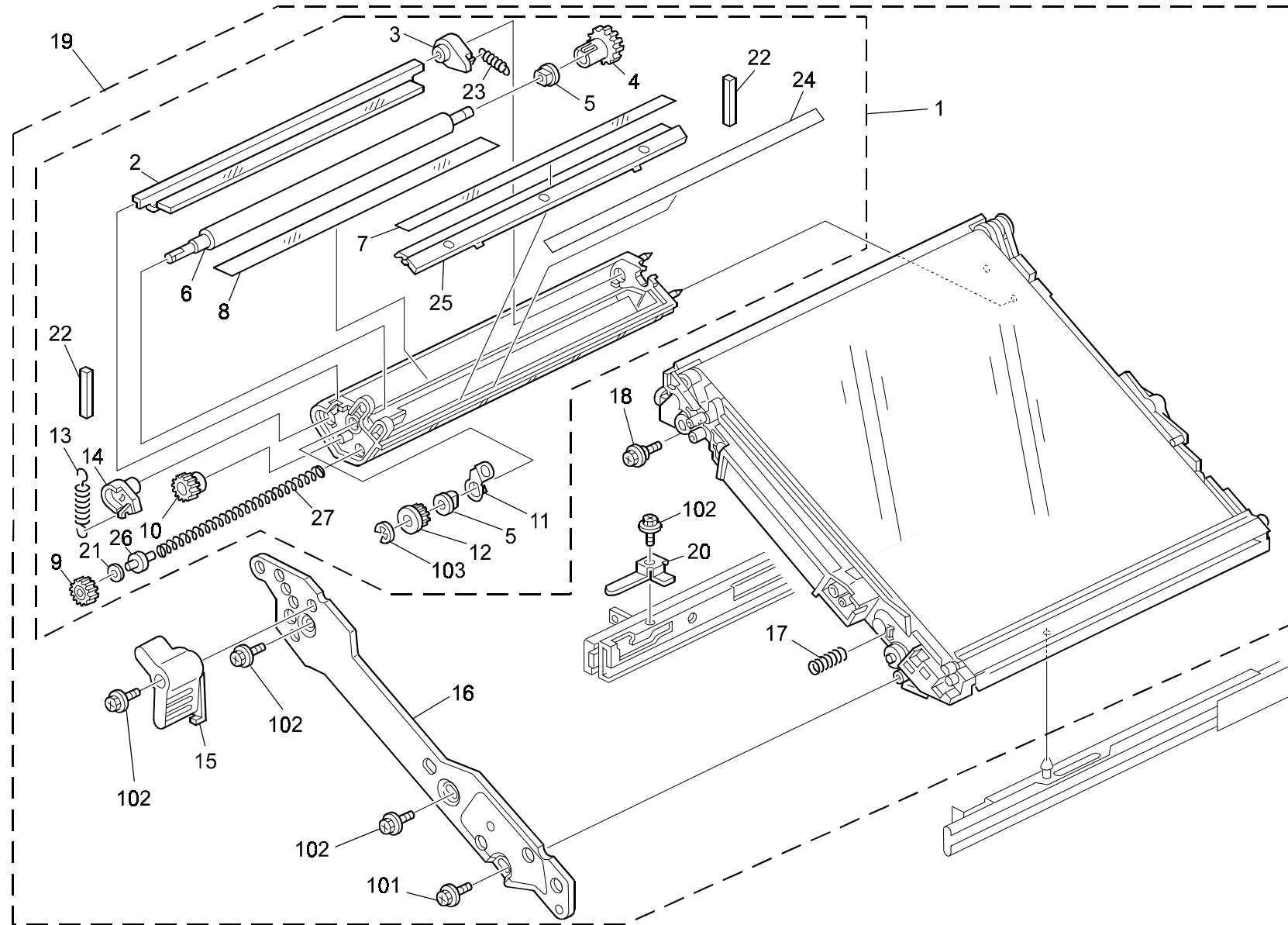


14.PCU/Development Unit (G060)

Index No.	Part No.	Description	Q'ty Per Assembly
1	G060 2215	PCU - CMY	3
2	G060 3013	Development Unit - Y	1
3	G060 3011	Development Unit - C	1
4	G060 3012	Development Unit - M	1

Index No.	Part No.	Description	Q'ty Per Assembly

15. Transfer Unit 1 (G060)

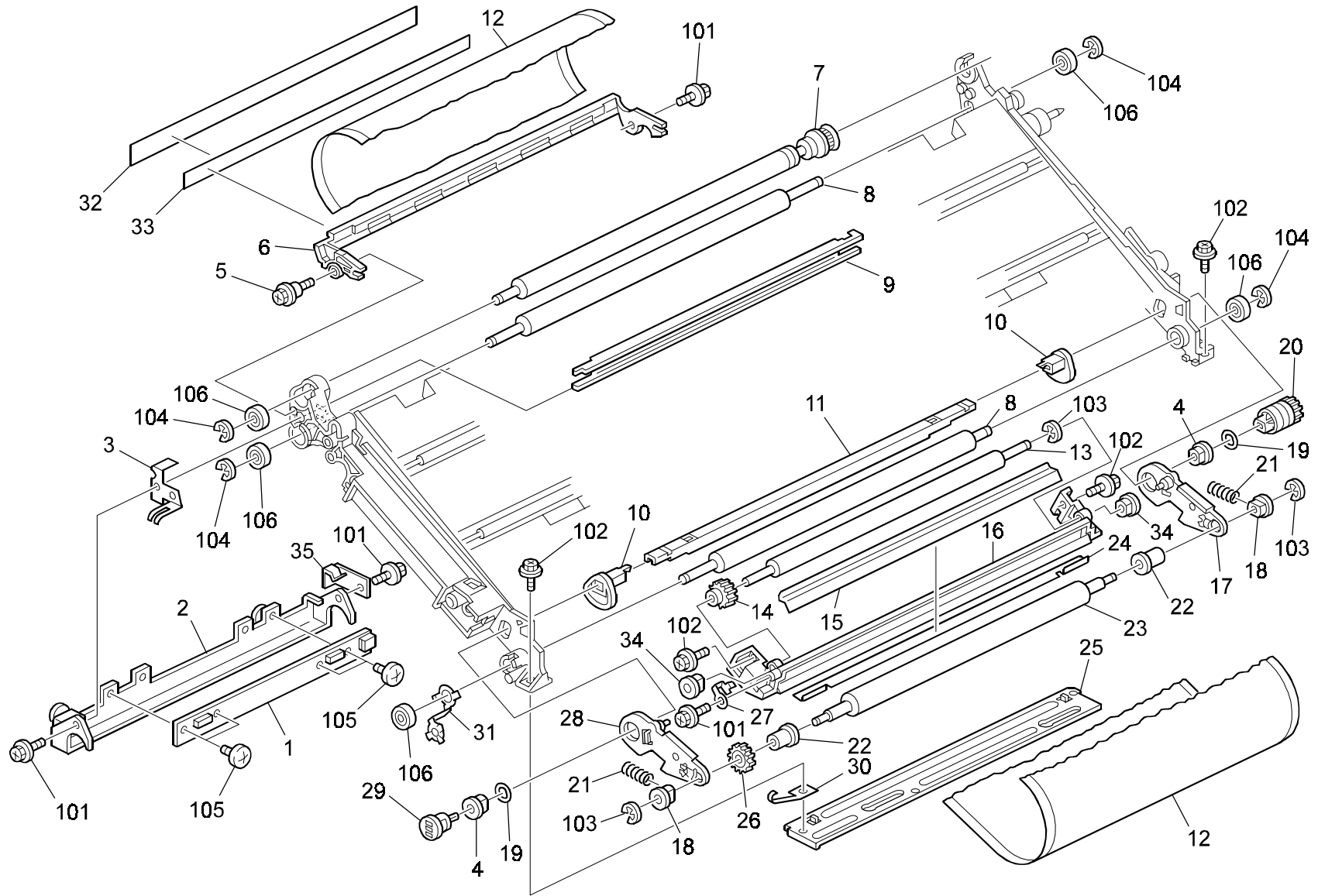


15.Transfer Unit 1 (G060)

Index No.	Part No.	Description	Q'ty Per Assembly
1	G060 3815	Transfer Cleaning Unit	1
2	G060 3965	Transfer Cleaning Blade	1
3	G060 3675	Rear Cleaning Blade Bushing	1
4	G060 3974	Rear Gear - Cleaning Roller	1
5	AA08 2101	Bushing - 6x10x6	2
6	G060 3971	Transfer Cleaning Roller	1
7	G060 3976	Seal - Transport Screw	1
8	G060 3961	Lower Blade Seal - 340x11	1
9	G060 3977	Gear - Transport Screw	1
10	G060 3978	Idle Gear	1
11	G060 3972	Spring Plate - Cleaning Bias	1
12	G060 3973	Front Gear - Cleaning Roller	1
13	G060 3970	Pressure Spring - Cleaning Blade	1
14	G060 3968	Front Bushing - Cleaning Blade	1
15	G060 3923	Release Lever	1
16	G060 3985	Drum Stay	1
17	G060 3909	Compression Spring - Front	1
18	A250 4280	Fusing Unit Screw	1
19	G060 3802	Transfer Unit	1
20	G060 3674	Release Lever Stopper	1
21	G060 3976	Seal - Transport Screw	1
22	G060 3962	Blade Side Seal - 3.5x22.5x3	2
23	G060 3676	Cleaning Blade Pressure Spring	1
24	G060 3999	Upper Cleaning Seal - 16x348	1
25	G060 3817	Casing Cover - Transfer Cleaning	1
26	G060 3976	Seal - Transport Screw	1
27	G060 3951	Toner Collection Coil	1

Index No.	Part No.	Description	Q'ty Per Assembly
101	0450 3008B	Tapping Screw - M3x8	
102	0451 3006B	Tapping Screw - M3x6	
103	0720 0040E	Retaining Ring - M4	

16.Transfer Unit 2 (G060)

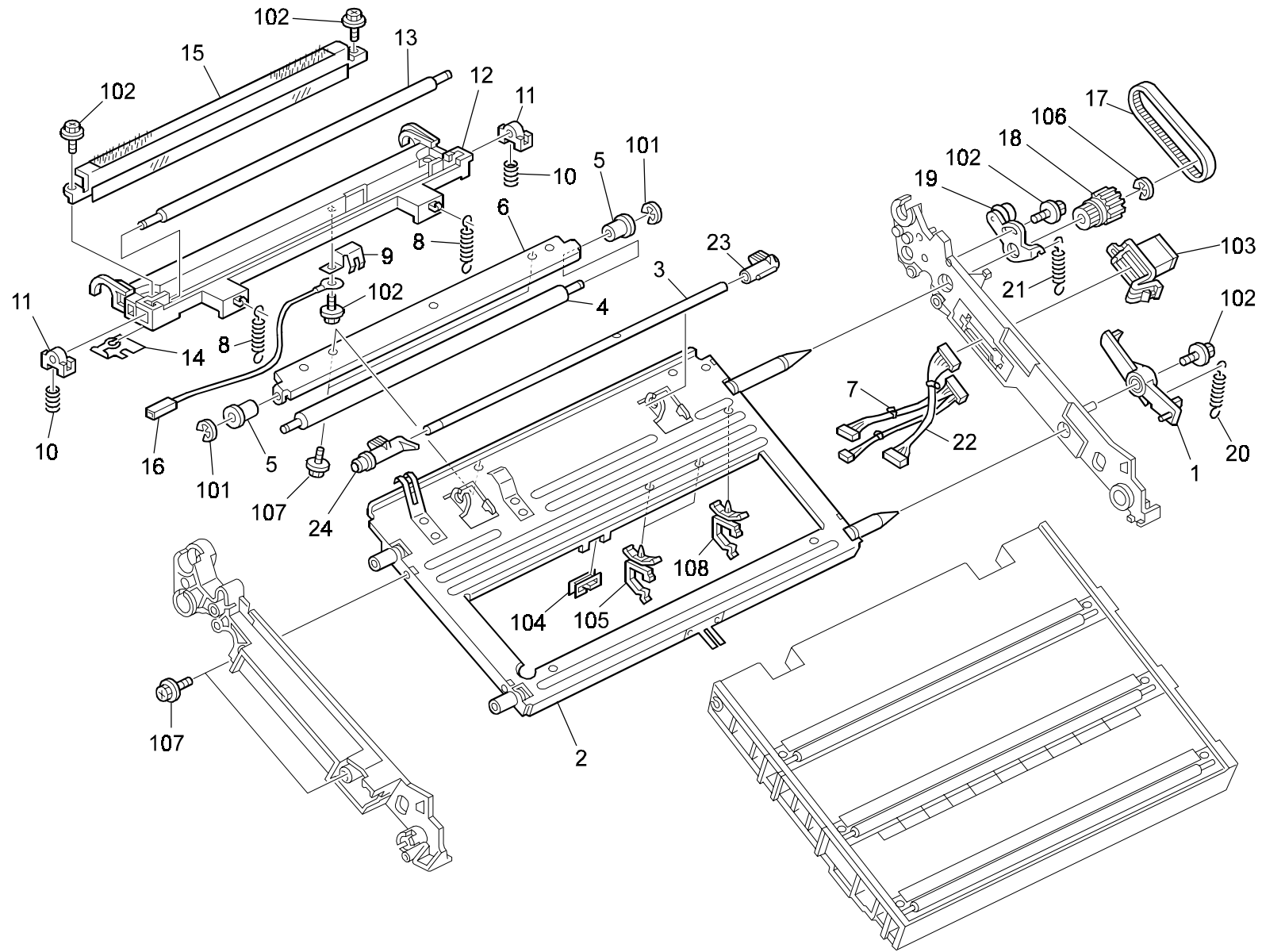


16. Transfer Unit 2 (G060)

Index No.	Part No.	Description	Q'ty Per Assembly
1	G060 5420	ID Sensor	1
2	G060 3915	Left Bracket	1
3	G060 3875	Spring Plate - Left	1
4	G060 3895	Spacer - Joint	2
5	A250 4280	Fusing Unit Screw	1
6	G060 3925	Exit Guide Plate - Transfer	1
7	G060 3866	Drive Roller	1
8	G060 3883	Roller	2
9	G060 3885	Left Stay	1
10	G060 3894	Cam - Front	2
11	G060 3893	Stay - ON-OFF	1
12	G060 3850	Transfer Belt	1
13	G060 3910	Bias Roller	1
14	AB01 0114	Gear - Bias Roller	1
15	G060 3914	Cover - Bias Roller	1
16	G060 3907	Registration Guide Plate	1
17	G060 3897	Bracket - Rear Driven	1
18	AA08 2103	Bushing - Transfer Driven	2
19	G060 3919	Spacer - Gear	2
20	G060 3899	Gear - ON-OFF	1
21	G060 3903	Compression Spring - Driven	2
22	G060 3901	Collar - Driven	2
23	G060 3900	Driven Roller	1
24	G060 3908	Upper Registration Guide	1
25	G060 3906	Right Bracket	1
26	AB01 0115	Gear - Drivben Roller	1
27	G060 3912	Spring Plate - Bias Roller	1
28	G060 3890	Bracket - Front Driven	1
29	G060 3896	Joint - Front	1
30	G060 3958	Spring Plate - Right Bracket	1
31	G060 3876	Spring Plate - Right	1
32	G060 3668	Transfer Exit Insulate Sheet	1
33	G060 3669	Dual Faces Tepe - Insulation Sheet	1
34	AA08 2115	Bushing 5x10x5	2
35	G060 3949	Spring Plate - Left Stay	1

Index No.	Part No.	Description	Q'ty Per Assembly
101	0450 3008B	Tapping Screw - M3x8	
102	0451 3006B	Tapping Screw - M3x6	
103	0720 0040E	Retaining Ring - M4	
104	0720 0060E	Retaining Ring - M6	
105	0353 0040B	Screw - M3X4	
106	0805 3492	Bushing - 8x16x5	

17.Transfer Unit 3 (G060)

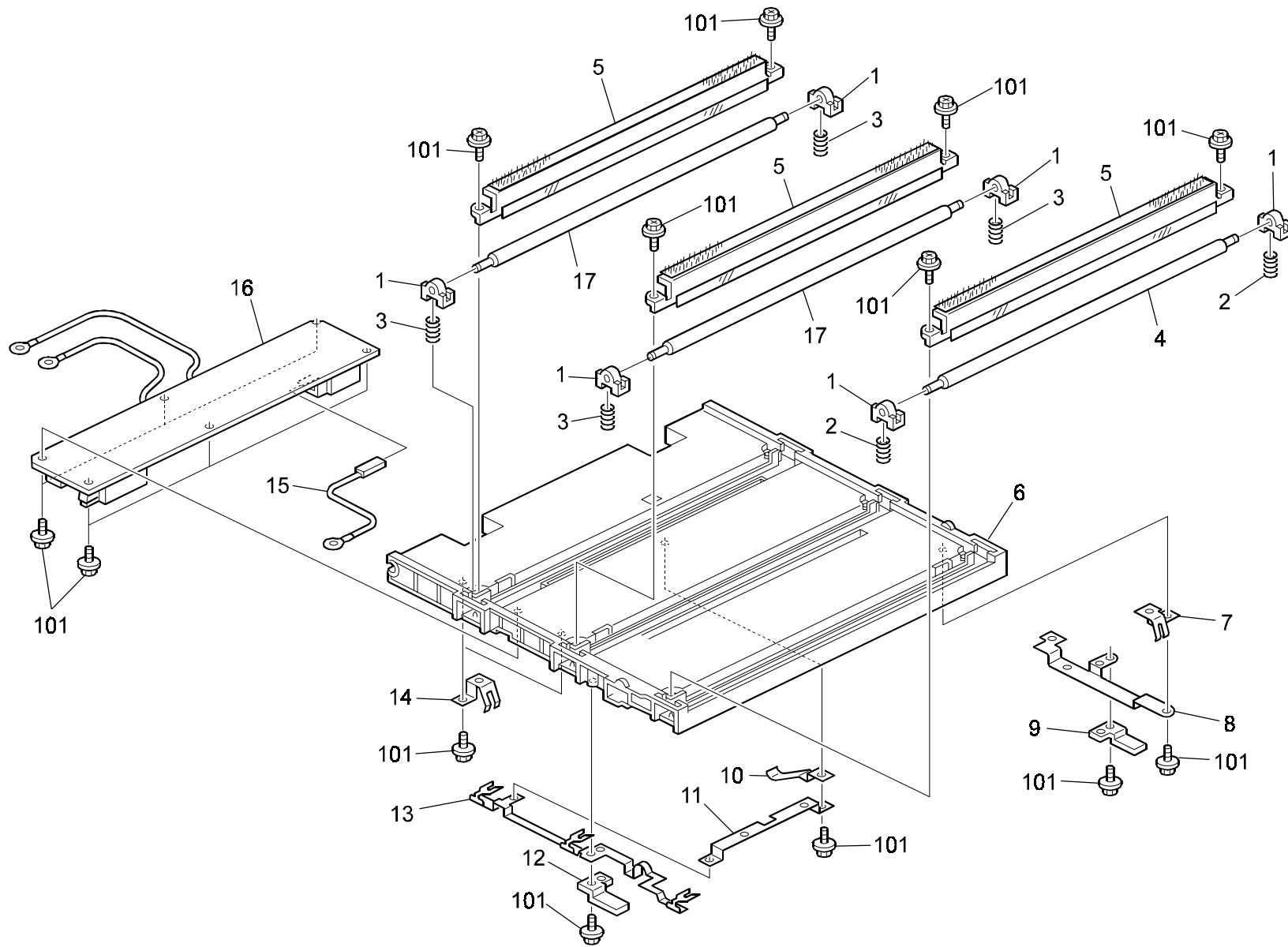


17. Transfer Unit 3 (G060)

Index No.	Part No.	Description	Q'ty Per Assembly
1	G060 3950	Feeler - On-Off	1
2	G060 3877	Stay	1
3	G060 3928	Shaft - Release	1
4	G060 3981	Cleaning Roller	1
5	G060 3988	Bushing - Cleaning	2
6	G060 3984	Bracket - Cleaning	1
7	G060 5488	Harness - Transfer Unit 2	1
8	G060 3853	Tension Spring - Left Frame	2
9	G060 3860	Electrode Plate - Transfer Brush K	1
10	G060 3924	Compression Spring - Back Up 3N	2
11	G060 3852	Bushing - Back-up	2
12	G060 3851	Left Frame	1
13	G060 3671	Back Up Roller - Transfer	1
14	G060 3864	Ground Plate - Transfer K	1
15	G060 3930	Transfer Brush	1
16	G060 5511	Harness - High Voltage Line T-K	1
17	G060 3945	Timing Belt - Transfer Belt Drive	1
18	G060 3944	Gear - Transfer Belt Drive	1
19	G060 3940	Bracket - Tightener	1
20	G060 3997	Tension Spring - On-off	1
21	G060 3942	Tension Spring - Tightener	1
22	G060 5472	Harness - Transfer Unit 1	1
23	AA06 6344	Rear Torsion Spring	1
24	AA06 6345	Front Torsion Spring	1

Index No.	Part No.	Description	Q'ty Per Assembly
101	0720 0030E	Retaining Ring - M3	
102	0450 3008B	Tapping Screw - M3x8	
103	1102 8536	Connector - QR/P17-18S-B	
104	1105 0522	Edge Saddle - LES0510	
105	1105 0511	Harness Clamp - LWS-0306ZC	
106	0720 0060E	Retaining Ring - M6	
107	0451 3006B	Tapping Screw - M3x6	
108	1105 0516	Clamp	

18.Transfer Unit 4 (G060)

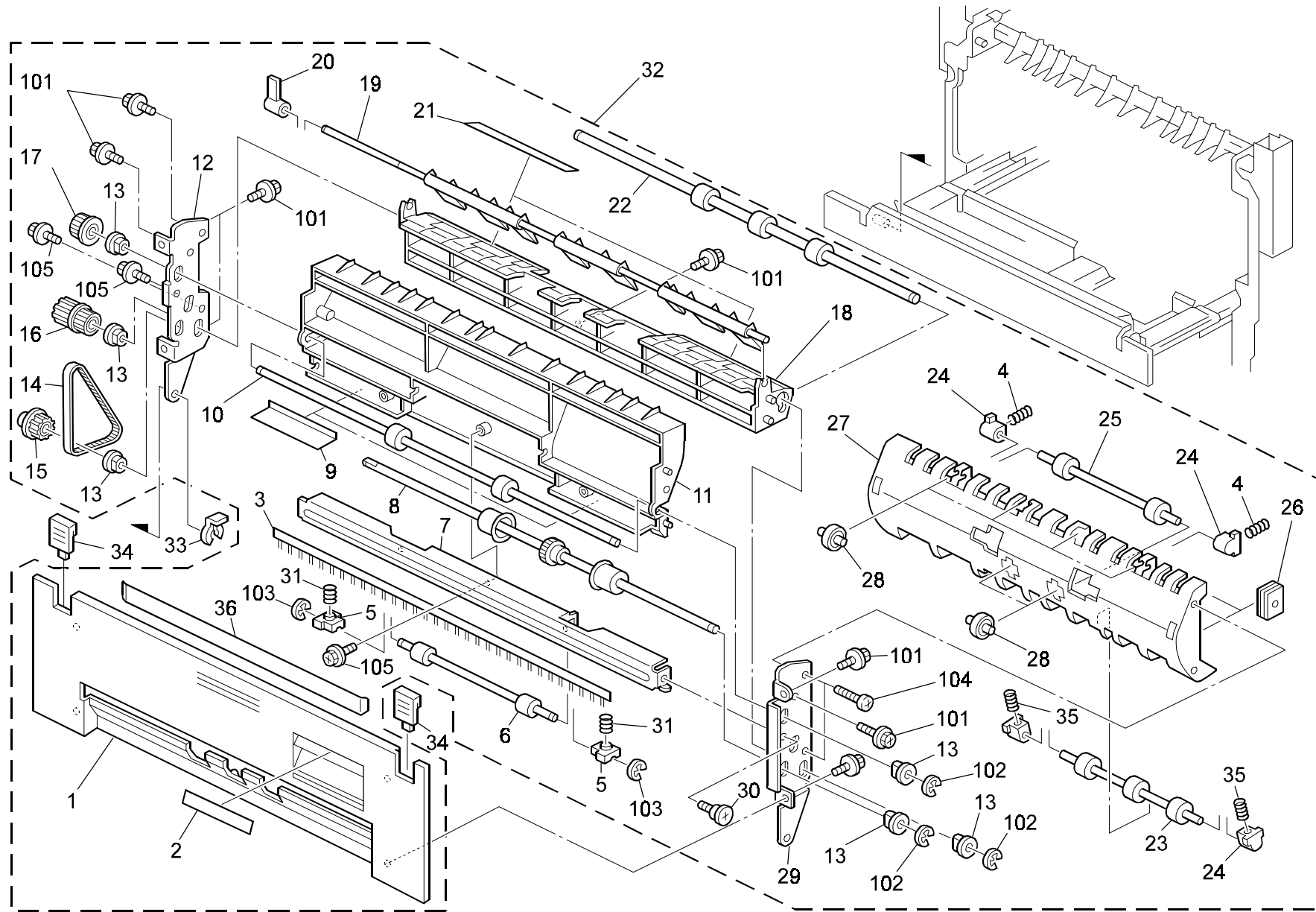


18.Transfer Unit 4 (G060)

Index No.	Part No.	Description	Q'ty Per Assembly
1	G060 3852	Bushing - Back-up	6
2	G060 3924	Compression Spring - Back Up 3N	2
3	G060 3855	Compression Spring - Back-up	4
4	G060 3865	Back-up Roller	1
5	G060 3930	Transfer Brush	3
6	G060 3861	Right Frame	1
7	G060 3871	Electrode Plate - Transfer Brush M	1
8	G060 3870	Electrode Plate - Transfer Brush Y1	1
9	G060 3956	Rear Spring Plate - Transfer	1
10	G060 3957	Grounding Plate - PP	1
11	G060 3869	Ground Plate	1
12	G060 3955	Front Spring Plate - Transfer	1
13	G060 3873	Ground Plate - Back-up Roller	1
14	G060 3872	Electrode Plate - Transfer Brush Y2	2
15	G060 5512	Harness - High Voltage Line T-Y	1
16	GZ32 0007	Power Pack - TPACL	1
17	G060 3671	Back Up Roller - Transfer	2

Index No.	Part No.	Description	Q'ty Per Assembly
101	0450 3008B	Tapping Screw - M3x8	

19. Paper Exit Section 1 (G060)

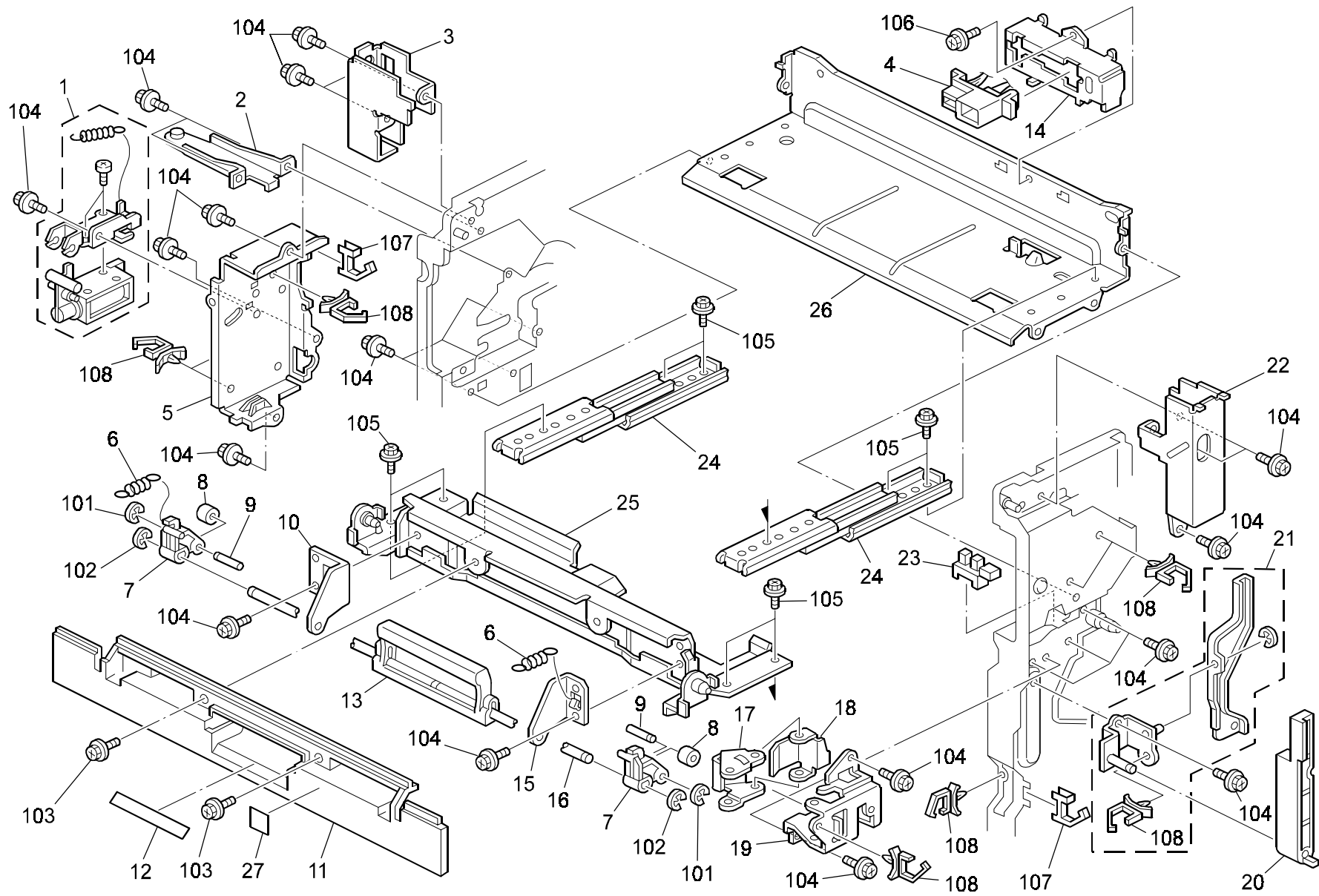


19.Paper Exit Section 1 (G060)

Index No.	Part No.	Description	Q'ty Per Assembly
1	G060 4430	Exit Cover	1
2	GA00 1004	Decal - Grip B2	1
3	AA12 0102	Discharge Brush - Exit	1
4	G060 4436	Compression Spring - Exit Driven	2
5	G060 4435	Bushing - M4	2
6	AF04 0586	Driven Roller	1
7	G060 4494	Exit Stay	1
8	AF04 0578	Exit Roller - FU	1
9	G060 4488	Upper Exit Guide	2
10	AF04 0582	Vertical Transport Roller - Exit	1
11	G060 4437	Exit Guide Plate	1
12	G060 4432	Rear Side Plate - Exit	1
13	AA08 2101	Bushing - 6x10x6	6
14	G060 4439	Timing Belt - S2M180	1
15	G060 4434	Pulley - 27T	1
16	AB01 2025	Gear & Pulley - 17Z/27Z	1
17	G060 4438	Pulley - 24T	1
18	G060 4440	Guide Plate - Lower Entrance Exit	1
19	G060 4442	Exit Gate Pawl	1
20	G060 4441	Link - Exit Gate Pawl	1
21	G060 4468	Entrance Guide - Paper Exit Unit	2
22	AF04 0579	Transport Roller - Fusing Exit	1
23	AF04 0584	Driven Roller - Fusing Exit	1
24	G060 4449	Bushing - M4	4
25	AF04 0585	Driven Roller - Relay	1
26	G060 4474	Magnet Catch	2
27	G060 4446	Upper Guide Plate - Fusing Exit	1
28	G060 4447	Driven Roller - M16	6
29	G060 4433	Front Side Plate - Exit	1
30	AA14 3716	Stepped Screw	1
31	G060 4429	Compression Spring - Exit Driven 1N	2
32	G060 4410	Paper Exit Unit	1
33	5215 2621	Snap Ring - M6	1
34	G060 4477	Cover - Duplex Lock	1
35	G060 4489	Compression Spring - 0.46N	2

Index No.	Part No.	Description	Q'ty Per Assembly
36	G060 4496	Support Plate - Discharge Brush	1
101	0450 3008B	Tapping Screw - M3x8	
102	0720 0040E	Retaining Ring - M4	
103	0720 0030E	Retaining Ring - M3	
104	0353 0100B	Screw - M3X10	
105	0451 3008B	Tapping Screw - M3x8	

20. Paper Exit Section 2 (G060)

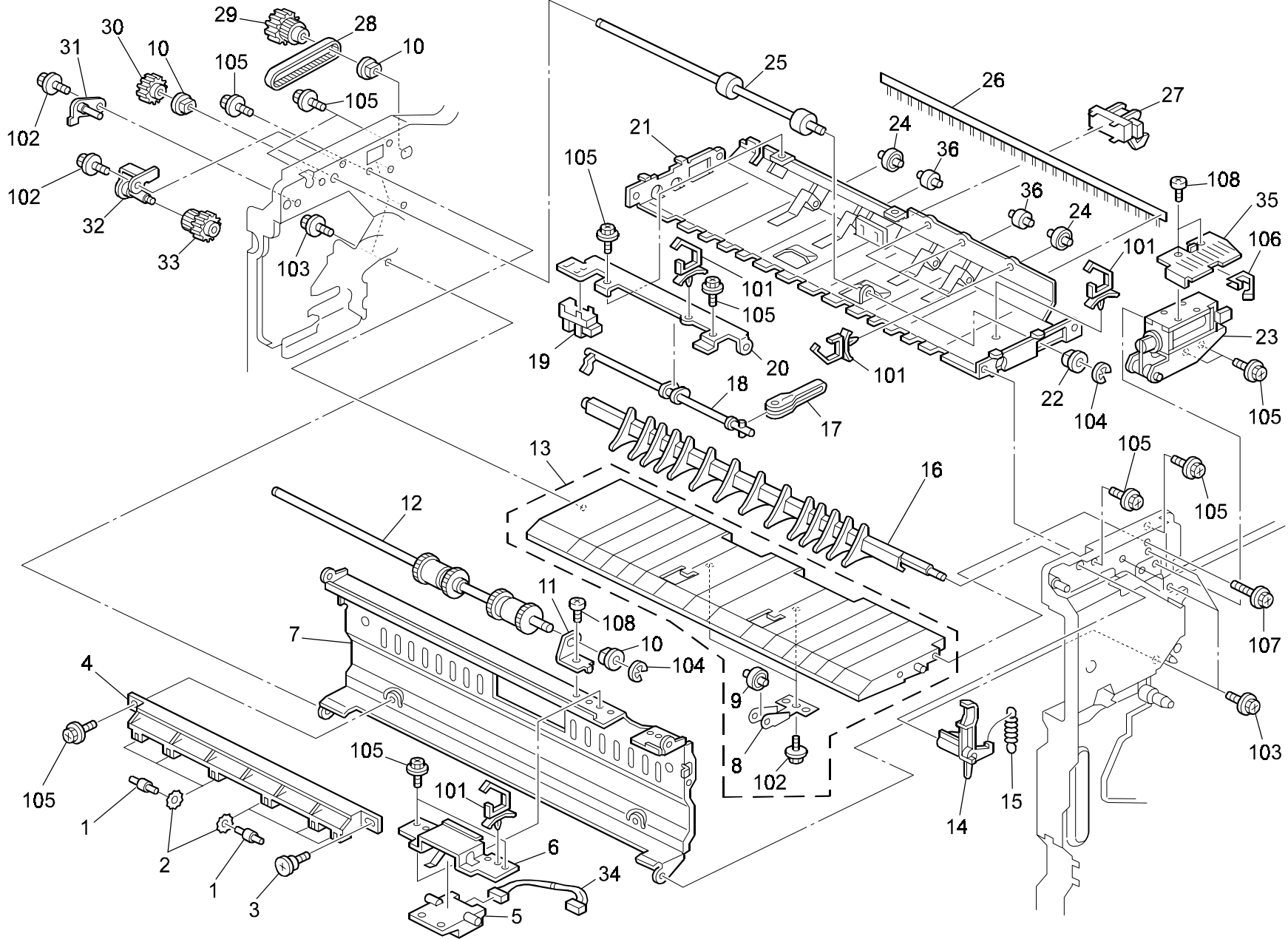


20.Paper Exit Section 2 (G060)

Index No.	Part No.	Description	Q'ty Per Assembly
1	G060 4470	DC Solenoid - Gate Pawl	1
2	G060 5821	Guide Plate - Left Upper Rack	1
3	G060 6046	Rear Bracket - Option	1
4	G060 5513	Harness - Fusing AC	1
5	G060 1091	Rear Fusing Bracket	1
6	G060 6038	Detent Spring	2
7	G060 6033	Rear Holder Arm	2
8	G060 6035	Detent Roller	2
9	G060 6037	Detent Shaft	2
10	G060 6031	Bracket - Rear Lever	1
11	G060 6040	Cover - Fusing Unit Holder	1
12	GA00 1003	Decal - Grip B1	1
13	G060 6039	Grip - Cover	1
14	G060 6041	Bracket - Fusing Drawer	1
15	G060 6032	Bracket - Front Lever	1
16	G060 6036	Arm Shaft	1
17	G060 5822	Bracket - Safety Switch	1
18	G060 5823	Bracket - Door Switch	1
19	G060 5801	Bracket - Door Switch Lever	1
20	G060 5808	Arm - Safety Switch	1
21	G060 5804	Lever - Door Switch	1
22	G060 6045	Front Bracket - Option	1
23	AW02 0120	Photointerruptor - Flat	1
24	G060 6011	Slide Rail	2
25	G060 6021	Holder - Fusing Unit	1
26	G060 1078	Guide Rail - Fusing Unit	1
27	GA00 3029	Decal - Vertical Transport	1

Index No.	Part No.	Description	Q'ty Per Assembly
101	0720 0030E	Retaining Ring - M3	
102	0720 0060E	Retaining Ring - M6	
103	0451 3008H	Tapping Screw - M3x8	
104	0802 5276	Tapping Screw With Washer - M3x6	
105	0451 3005B	Tapping Screw - M3x5	
106	0453 3006B	Tapping Screw - M3x6	
107	1105 0522	Edge Saddle - LES0510	
108	1105 0511	Harness Clamp - LWS-0306ZC	

21.Paper Exit Section 3 (G060)

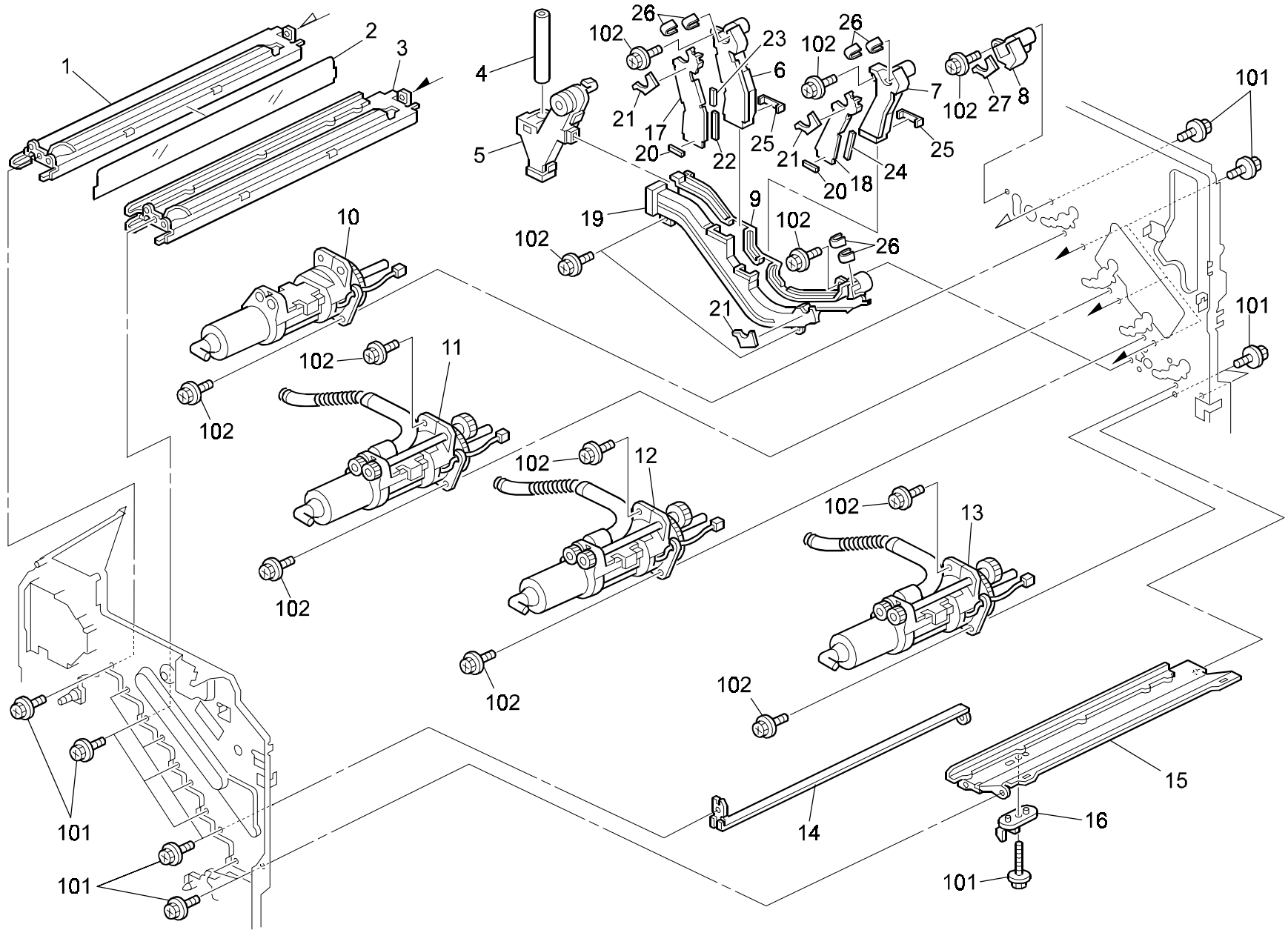


21.Paper Exit Section 3 (G060)

Index No.	Part No.	Description	Q'ty Per Assembly
1	G060 4058	Guide Shaft	6
2	A267 3255	Paper Separation Guide	6
3	AA14 3716	Stepped Screw	1
4	G060 4057	Roller Guide Holder	1
5	G060 5589	Socket - Oil Unit Detecion Sensor	1
6	G060 4150	Bracket - Unit Reset Sensor	1
7	G060 1066	Upper Vertical Frame	1
8	G060 4467	Roller Holder	2
9	G060 4454	Driven Roller - M13	4
10	AA08 2101	Bushing - 6x10x6	3
11	G060 4457	Bracket - Exit Roller	1
12	AF04 0577	Exit Roller - FD	1
13	G060 4427	Lower Exit Guide Plate	1
14	G060 4460	Lever - Gate Pawl	1
15	G060 4461	Tension Spring - Gate Pawl	1
16	G060 4459	Gate Pawl	1
17	G060 4482	Feeler - Paper Sensor	1
18	G060 4483	Shaft - Paper Sensor	1
19	AW02 0120	Photointerruptor - Flat	1
20	G060 4481	Bracket - Paper Sensor	1
21	G060 4451	Upper Exit Guide Plate	1
22	AA08 2102	Bushing - 6x10x6	1
23	G060 4330	DC Solenoid - On-Off	1
24	G060 4447	Driven Roller - M16	2
25	AF04 0583	Exit Transport Roller	1
26	AA12 0102	Discharge Brush - Exit	1
27	AW02 0121	Photointerruptor - Square	1
28	G060 4463	Timing Belt - S2M176	1
29	G060 4456	Gear - Z25/T30	1
30	G060 4458	Gear - 16Z	1
31	G060 4850	Stopper Shaft Bracket	1
32	G060 4464	Bracket - Gear	1
33	G060 4462	Gear - Z18/T27	1
34	G060 5504	Harness - Oil Unit Detction Sensor	1
35	G060 4335	Heat Sink - DC Solenoid Apply	1

Index No.	Part No.	Description	Q'ty Per Assembly
36	G060 4428	Drinev Roller - M13	2
101	1105 0511	Harness Clamp - LWS-0306ZC	
102	0450 3006B	Tapping Screw - M3x6	
103	0450 3008B	Tapping Screw - M3x8	
104	0720 0040E	Retaining Ring - M4	
105	0451 3006B	Tapping Screw - M3x6	
106	1105 0522	Edge Saddle - Les0510	
107	0451 3010B	Tapping Screw - M3x10	
108	0353 0040B	Screw - M3X4	

22.Waste Toner Transfer Section (G060)

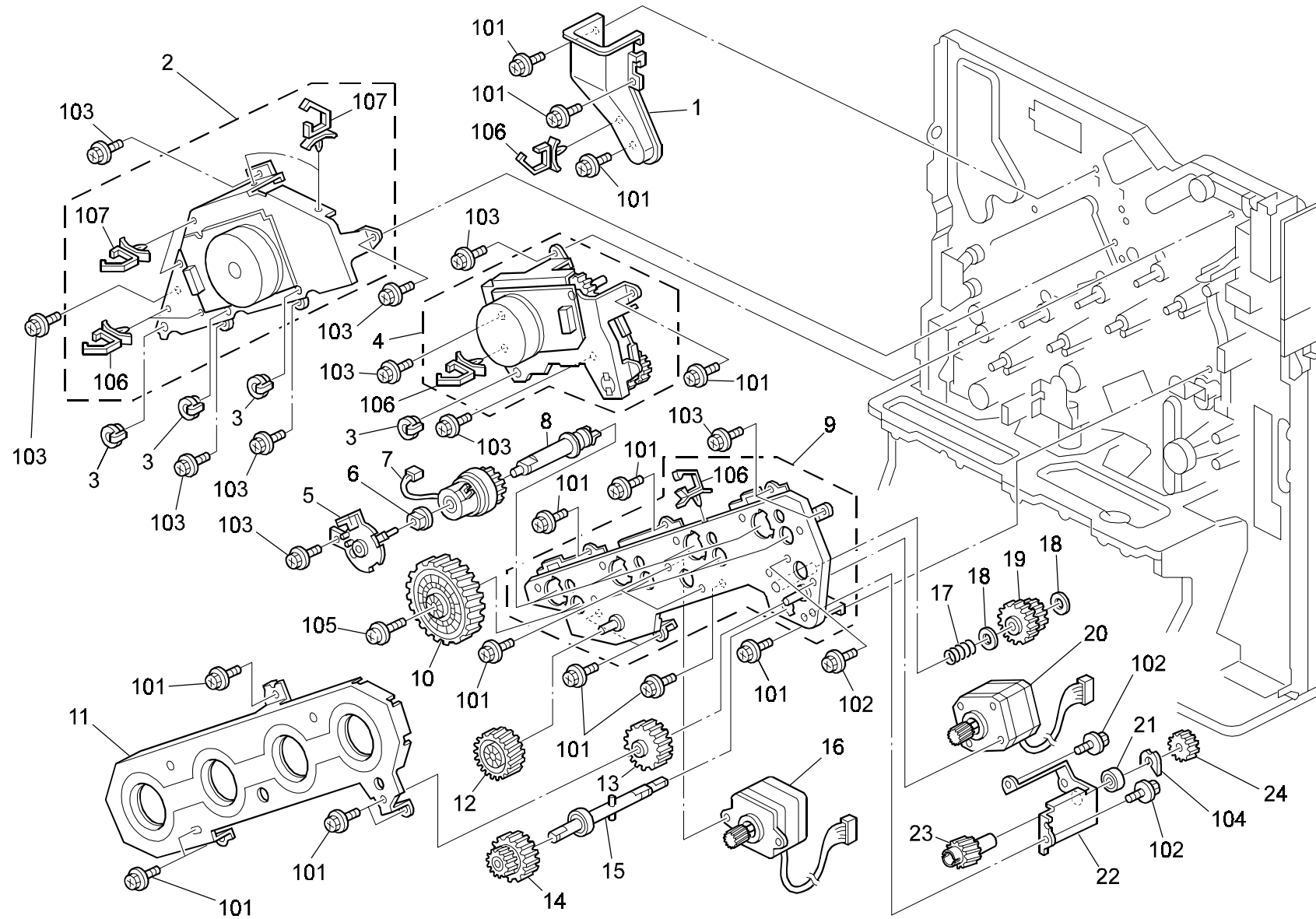


22.Waste Toner Transfer Section (G060)

Index No.	Part No.	Description	Q'ty Per Assembly
1	G060 1072	PCU Guide Rail	1
2	G060 1184	Film - PCU Guide Rail	1
3	G060 1009	PCU Guide Rail - C/M/Y	3
4	G060 3372	Tube - K	1
5	G060 3603	Guide - Collection Bottle	1
6	G060 3384	Case - Y	1
7	G060 3386	Case - C	1
8	G060 3371	Case - K	1
9	G060 3388	Case - M	1
10	G060 3350	Pump - K Toner Supply Unit	1
11	G060 3354	Pump - Y Toner Supply Unit	1
12	G060 3353	Pump - C Toner Supply Unit	1
13	G060 3352	Pump - M Toner Supply Unit	1
14	G060 1076	Left Guide - Development Unit	4
15	G060 1074	Upper Registration Stay	1
16	G060 2972	Safety Switch Feeler	1
17	G060 3385	Cover - Y	1
18	G060 3387	Cover - C	1
19	G060 3389	Cover - M	1
20	AA15 3471	Short Shield - CY	2
21	AA15 3464	Seal - Cover M/Y	3
22	G060 3289	Dual Faces Ttype Y - Long	1
23	G060 3288	Dual Faces Ttype Y - Short	1
24	G060 3290	Dual Faces Ttype C	1
25	AA15 3462	Seal - C/Y	2
26	AA15 3463	Seal - Case M/Y	6
27	AA15 3459	Seal - Case	1

Index No.	Part No.	Description	Q'ty Per Assembly
101	0451 3006B	Tapping Screw - M3x6	
102	0451 3008B	Tapping Screw - M3x8	

23. Drive Section 1 (G060)

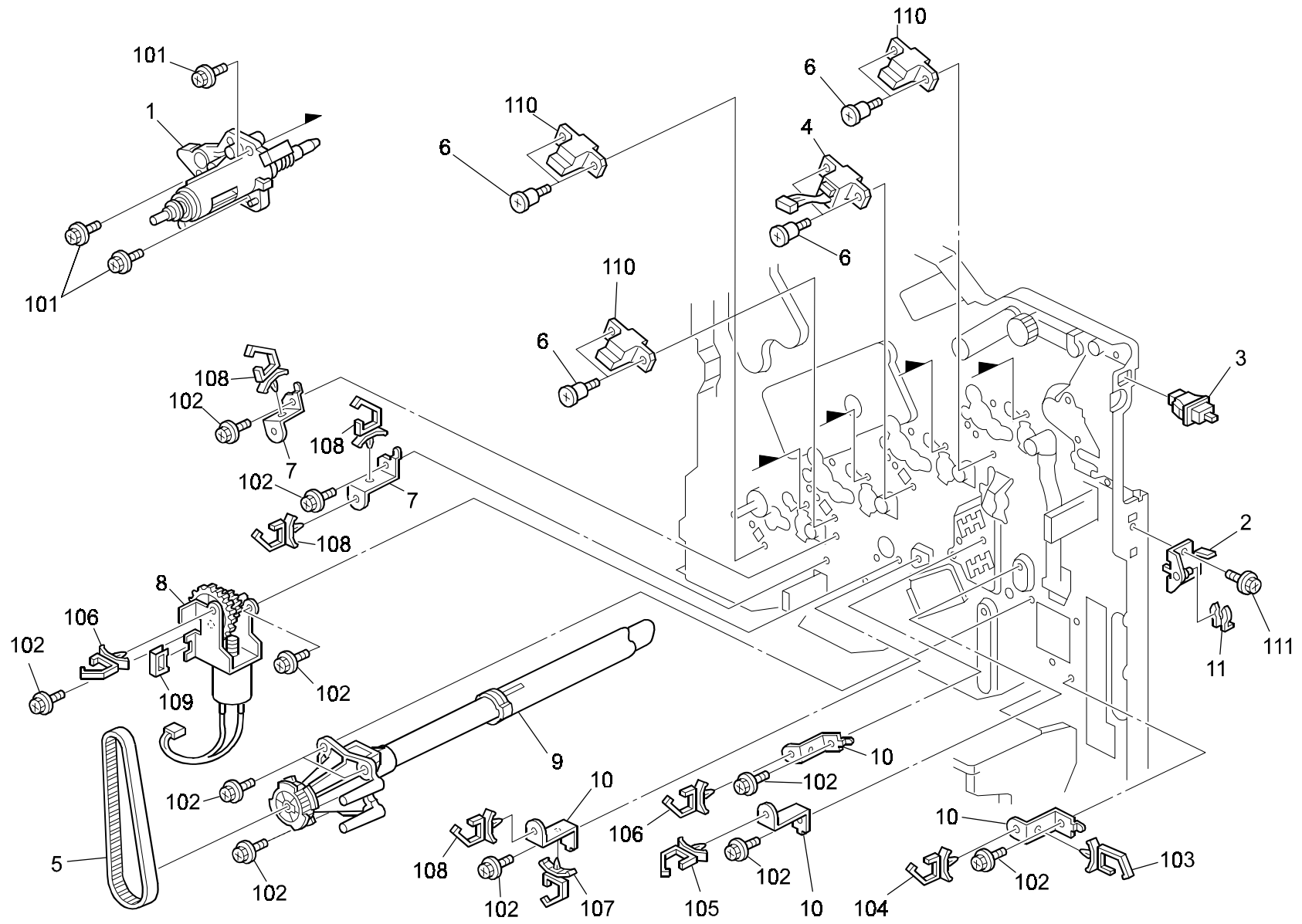


23. Drive Section 1 (G060)

Index No.	Part No.	Description	Q'ty Per Assembly
1	G060 1199	Inner PCU Duct	1
2	G060 1120	Drive Unit - C/M/Y Development	1
3	AA08 0257	Bushing - M6	4
4	G060 1100	Drive Unit - K Development	1
5	G060 1117	Magnetic Clutch Holder	4
6	AA08 2101	Bushing - 6x10x6	4
7	AX20 0219	Magnetic Clutch - Development	4
8	G060 1116	Joint - Development Unit	4
9	G060 1154	Bracket - Drum Drive	1
10	AB01 0113	Gear - Z180	4
11	G060 1159	Shielding Plate - Drum Gear	1
12	AB01 0110	Gear - Z63	1
13	AB01 0111	Gear - Z60	1
14	AB01 1212	Gear - Z32/Z24	1
15	G060 1460	Transfer Drive Shaft	1
16	G060 6044	C/M/Y Stepper Motor - DC4.95W	1
17	AA06 3622	Compression Spring	1
18	AA13 2211	Spacer - 8x0.5	2
19	AB01 7525	Gear - Z63/T28	1
20	G060 6043	Stepper Motor - DC4.65W	1
21	A232 3553	Ball Bearing - 8x16x5	1
22	G060 1153	Guide Plate - K Drum	1
23	AB01 1215	Gear - Z21	1
24	AB01 1231	Gear - Z18	1

Index No.	Part No.	Description	Q'ty Per Assembly
101	0451 3006B	Tapping Screw - M3x6	
102	0451 3005B	Tapping Screw - M3x5	
103	0451 3008B	Tapping Screw - M3x8	
104	0805 0088	Retaining Ring - M6	
105	0951 4008B	Philips Screw With Washer - M4x8	
106	1105 0511	Harness Clamp - LWS-0306ZC	
107	1105 0487	Harness Clamp	

24. Drive Section 2 (G060)

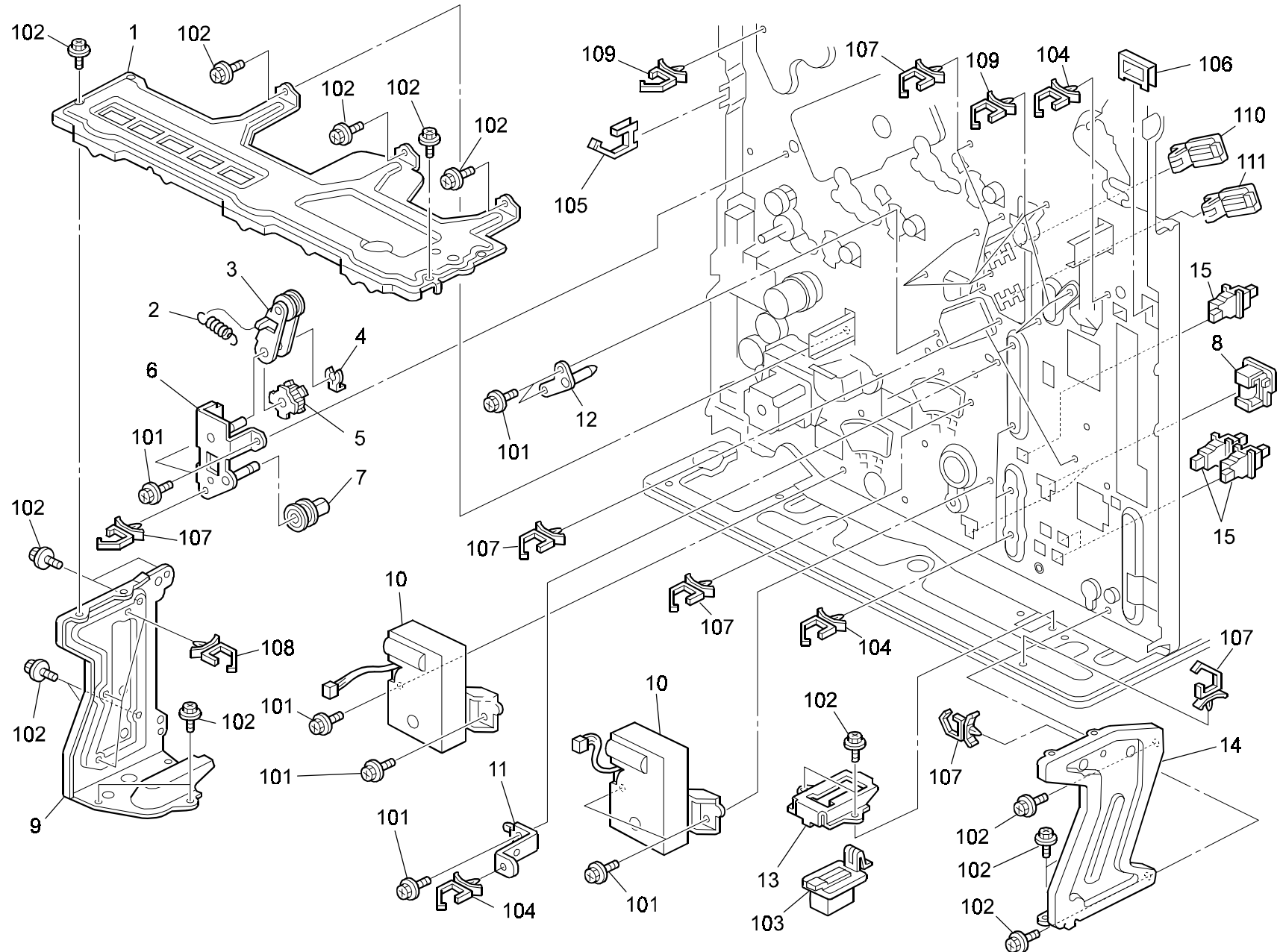


24. Drive Section 2 (G060)

Index No.	Part No.	Description	Q'ty Per Assembly
1	G060 1026	Drum Holder	1
2	G060 4855	Link Bracket	1
3	AW50 0023	Push Switch	1
4	G060 5530	Harness - Density Sensor	1
5	AA04 3928	Timing Belt - 40S2M334	1
6	5216 4198	Stepped Screw - Guide Plate	8
7	G060 5871	Clamp - M3.5	2
8	G060 3990	DC Motor - 1.56W	1
9	G060 3610	Joint - Collection Bottle	1
10	G060 5870	Clamp - M4.8	4
11	5447 2681	Snap Ring	1

Index No.	Part No.	Description	Q'ty Per Assembly
101	0451 3008B	Tapping Screw - M3x8	
102	0451 3006B	Tapping Screw - M3x6	
103	1105 0490	Harness Clamp - IWS-2218	
104	1105 0489	Harness Clamp - LWS 1316	
105	1105 0488	Harness Clamp	
106	1105 0487	Harness Clamp	
107	1105 0516	Clamp	
108	1105 0511	Harness Clamp - LWS-0306ZC	
109	1105 0522	Edge Saddle - LES0510	
110	1102 8519	Connector - MI2 99RH139-9236	
111	0451 3006H	Tapping Screw - 3x6	

25. Drive Section 3 (G060)

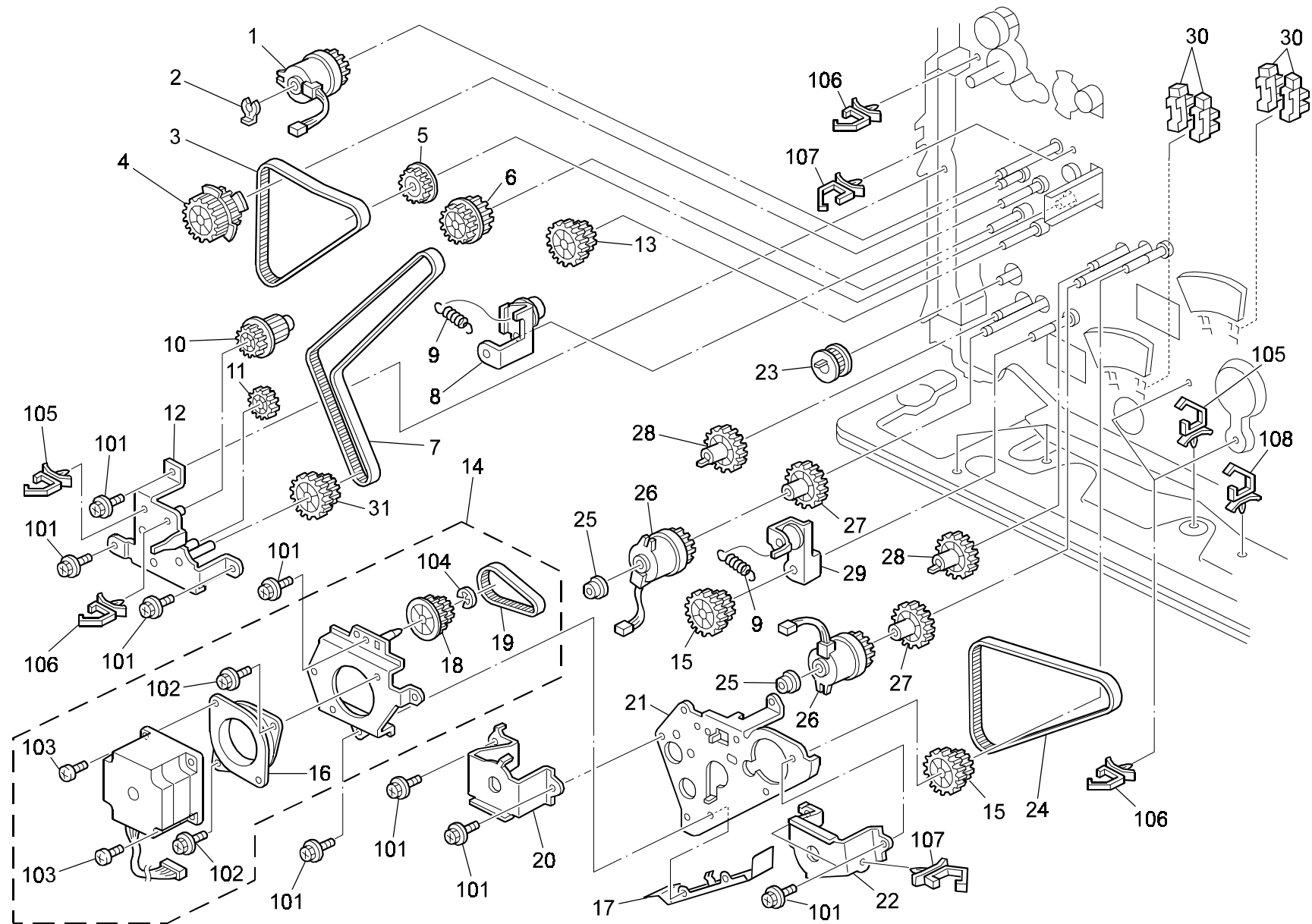


25. Drive Section 3 (G060)

Index No.	Part No.	Description	Q'ty Per Assembly
1	G060 1087	Rack Holder	1
2	AA06 0862	Tension Spring	1
3	G060 1106	Registration Tightner	1
4	5447 2681	Snap Ring	1
5	AB03 0686	Registration Timing Pulley	1
6	G060 1111	Relay Bracket	1
7	AB03 0685	Idle Pulley - M15	1
8	G060 2801	Holder - Paper Tray	2
9	G060 1085	Rear Right Channel	1
10	G060 2800	DC Motor - DC24V 0.5W	2
11	G060 5870	Clamp - M4.8	1
12	G060 4865	Duplex Right Bracket	1
13	G060 1053	Drawer Bracket - Paper Feed Table	1
14	G060 1083	Rear Left Channel	1
15	AW50 0023	Push Switch	3

Index No.	Part No.	Description	Q'ty Per Assembly
101	0451 3006B	Tapping Screw - M3x6	
102	0802 5276	Tapping Screw With Washer - M3x6	
103	1102 8534	Connector - QR/P17-14S-B	
104	1105 0489	Harness Clamp - LWS 1316	
105	1105 0518	Edge Saddle - LES-1010	
106	1105 0521	Clamp - LES-1017	
107	1105 0487	Harness Clamp	
108	1105 0488	Harness Clamp	
109	1105 0511	Harness Clamp - LWS-0306ZC	
110	1102 8537	Connector - QR/P17-18P-A	
111	1102 8535	Connector - QR/P17-14P-A	

26. Drive Section 4 (G060)

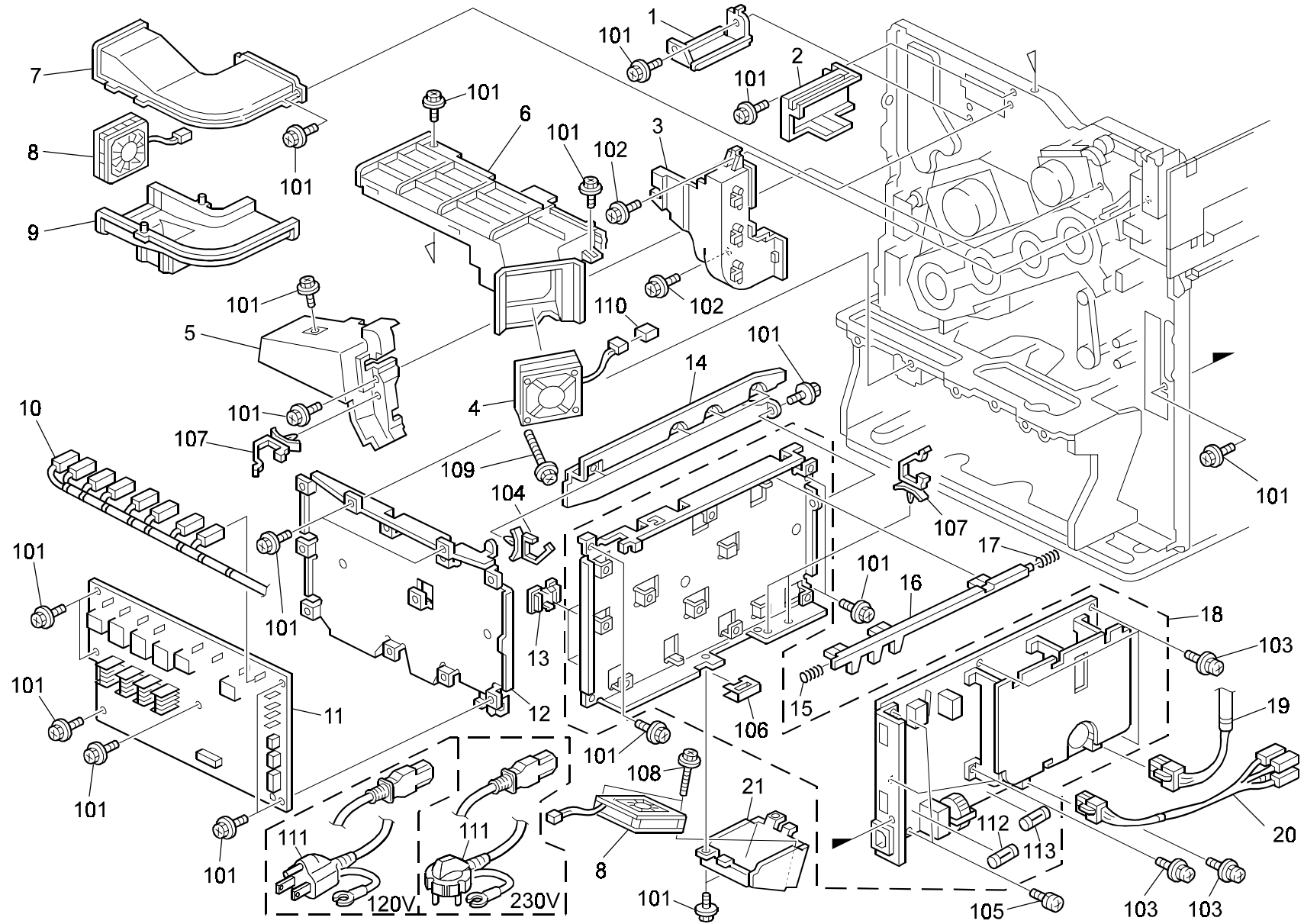


26.Drive Section 4 (G060)

Index No.	Part No.	Description	Q'ty Per Assembly
1	AX20 0220	Magnetic Clutch - Registration	1
2	5215 2621	Snap Ring - M6	1
3	AA04 3561	Timing Belt - 40S3M318	1
4	AB01 7546	Gear - Z28/T35	1
5	AB03 0690	Timing Pulley - T20	1
6	AB01 7543	Gear - Z25/T26	1
7	AA04 3925	Timing Belt - S2M668	1
8	G060 1172	Tightener - Paper Feed 1	1
9	AA06 0863	Tension Spring	2
10	AB01 7597	Gear - 13Z	1
11	AB01 2310	Gear - Z19	1
12	G060 2765	Paper Feed Bracket	1
13	AB01 7545	Gear - Z28/Z21	1
14	G060 1170	Paper Feed Motor Unit - DC4.42W	1
15	AB01 7544	Gear - Z25/T20	2
16	AA16 1149	Motor Cushion	1
17	G060 1169	Separation Plate - Paper Feed Drive	1
18	AB01 7542	Gear - 15Z/30T	1
19	AA04 3563	Timing Belt - 40S3M162	1
20	G060 1177	Bracket - Magnetic Clutch 2	1
21	G060 1171	Bracket - Paper Feed Drive	1
22	G060 1176	Bracket - Magnetic Clutch 1	1
23	AB03 0710	Timing Pulley - 20T	1
24	AA04 3562	Timing Belt - 40S3M384	1
25	AA08 2102	Bushing - 6x10x6	2
26	AX20 0221	Magnetic Clutch - Paper Feed	2
27	AB01 4037	Gear - 24Z	2
28	AB01 4038	Gear - 22Z	2
29	G060 1174	Tightener - Paper Feed	1
30	AW02 0120	Photointerruptor - Flat	4
31	AB01 7540	Gear - Z28/Z29	1

Index No.	Part No.	Description	Q'ty Per Assembly
101	0451 3006B	Tapping Screw - M3x6	
102	0451 4008B	Philips Tapping Screw - M4x8	
103	0314 0100B	Philips Pan Head Screw - M4x10	
104	0720 0040E	Retaining Ring - M4	
105	1105 0488	Harness Clamp	
106	1105 0511	Harness Clamp - LWS-0306ZC	
107	1105 0487	Harness Clamp	
108	1105 0489	Harness Clamp - LWS 1316	

27.Electrical Section 1 (G060)

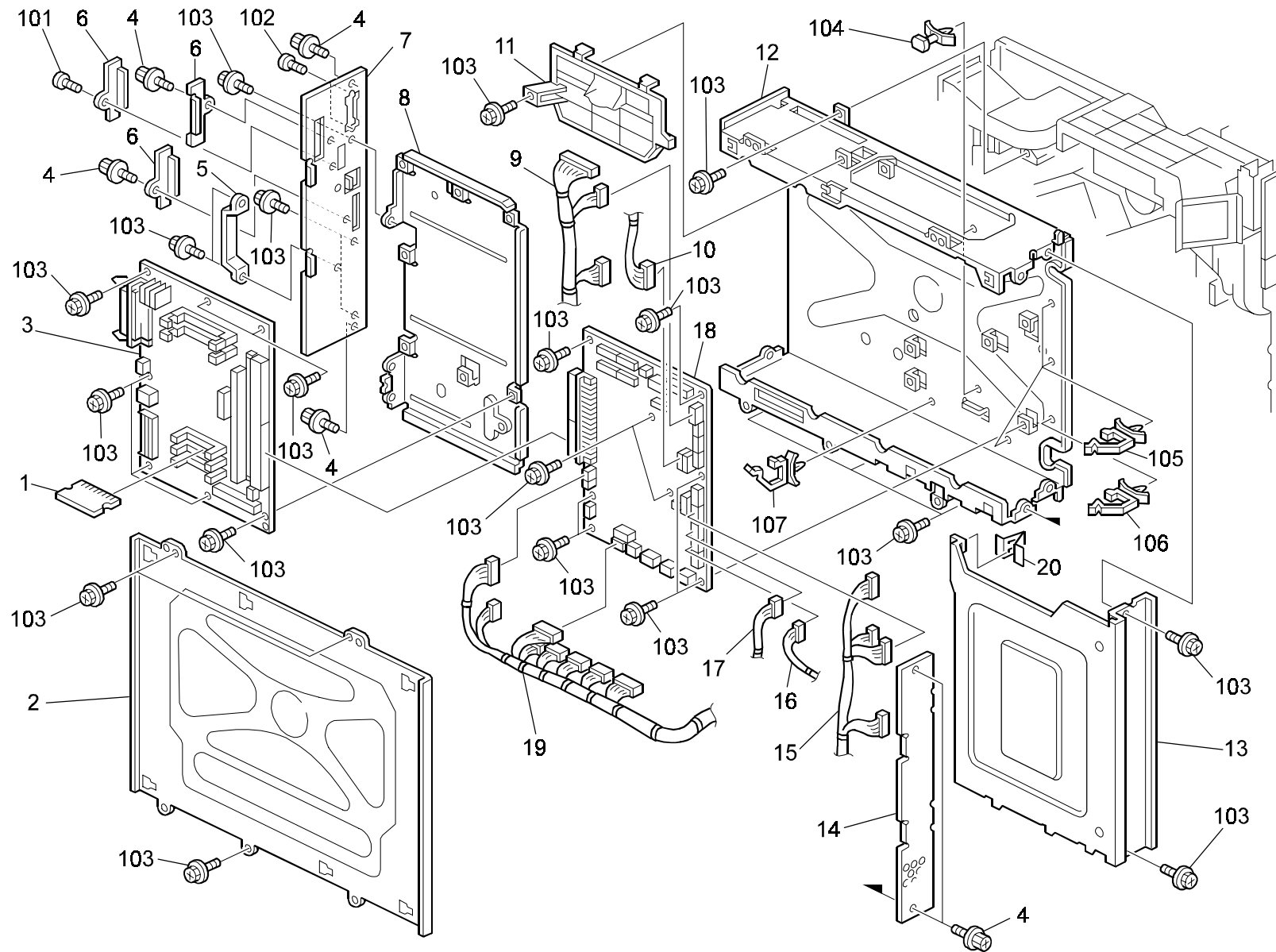


27.Electrical Section 1 (G060)

Index No.	Part No.	Description	Q'ty Per Assembly
1	G060 5820	Guide Plate - Upper Rack	1
2	G060 1192	Right Upper Rear Guide	1
3	G060 1189	Upper PSU Duct	1
4	AX64 0103	Fan Motor - DC2.4W	1
5	G060 1193	Duct - DC Motor Guard	1
6	G060 1182	Duct - Fan	1
7	G060 1555	Upper Controller Duct	1
8	AX64 0123	Fan Motor - DC1.68W	2
9	G060 1556	Lower Controller Duct	1
10	G060 5510	Harness - Power Pack CB	1
11	GZ32 0009	Power Pack - CB	1
12	G060 5816	Bracket - Power Pack	1
13	G060 5862	Cap - PSU	5
14	G060 5866	PSU Cover	1
15	AA06 3613	Compression Spring	1
16	G060 5861	Inner Back Lever - Door Switch	1
17	AA06 3638	Compression Spring	1
18	GZ23 0017	Power Supply Unit - 120V	1
18	GZ23 0018	Power Supply Unit - 220V	1
19	G060 5513	Harness - Fusing AC	1
20	G060 5516	Harness - AC Switch	1
21	G060 5863	Bracket - PSU Fan	1

Index No.	Part No.	Description	Q'ty Per Assembly
101	0451 3006B	Tapping Screw - M3x6	
102	0802 5276	Tapping Screw With Washer - M3x6	
103	0954 3008B	Philips Screw - M3x8	
104	1105 0516	Clamp	
105	0801 0150	Philips Screw - M4x8	
106	1105 0522	Edge Saddle - LES0510	
107	1105 0511	Harness Clamp - LWS-0306ZC	
108	0802 5286	Tapping Screw	
109	0450 4035B	Philips Tapping Screw - M4x35	
110	1102 6246	Relay Connector - 4P	
111	1150 0363	Power Supply Code - 125V 10A 2.5M	
111	1150 0364	Power Supply Code- 250V 10A 2.5M	
112	1107 0629	Fuse (ceramic Case) - 15A- 125V	
113	1107 0879	Fuse - 5A 250V	
113	1107 0908	Fuse - 10A 125V	

28.Electrical Section 2 (G060)

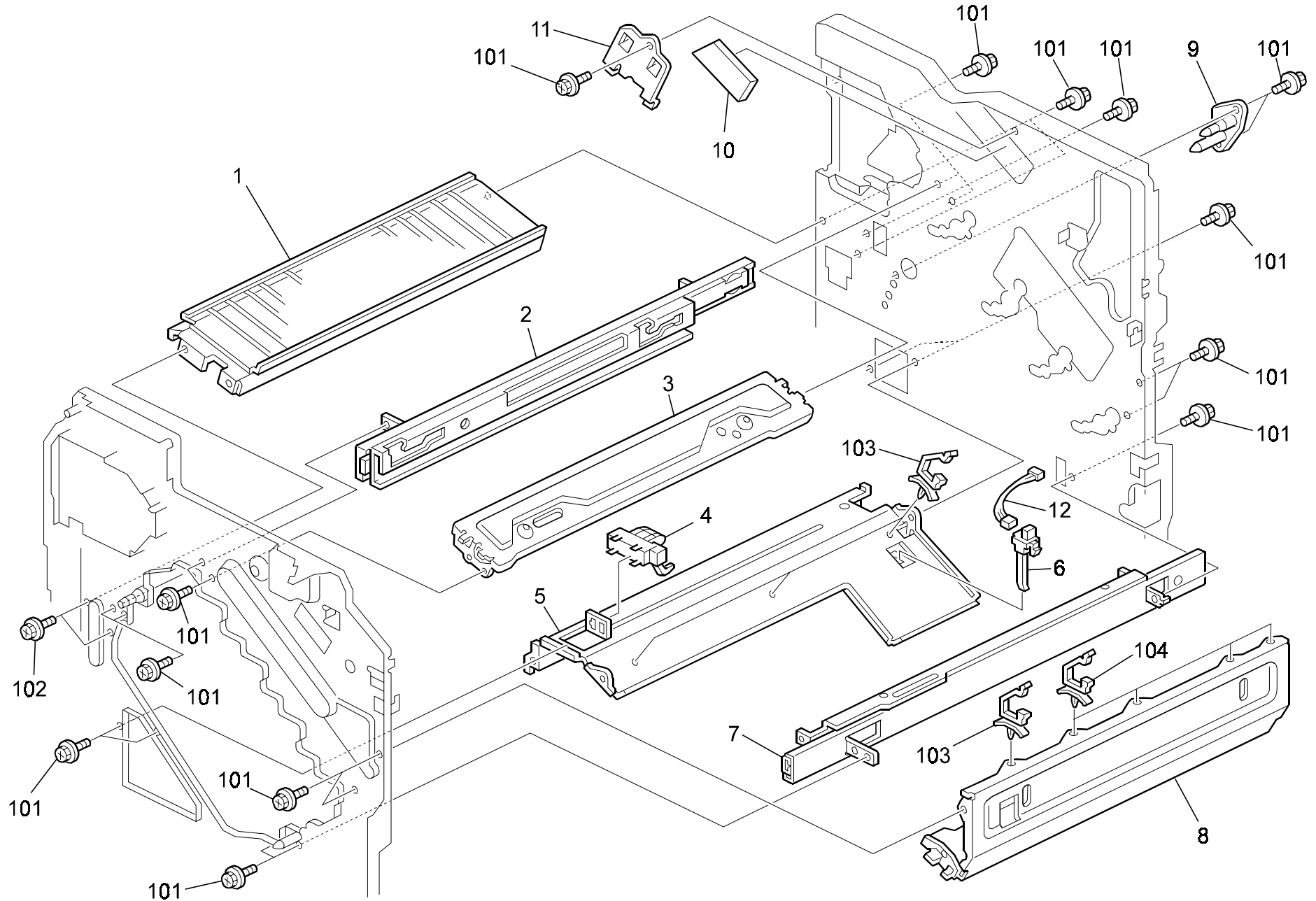


28. Electrical Section 2 (G060)

Index No.	Part No.	Description	Q'ty Per Assembly
1	G060 6120	ROM DIMM - PDL	1
2	G060 5847	Rack - Inner Back Application	1
3	G060 5740	Controller Board	1
4	G034 2993	Flanged Hexagonal Head Bolt - M3x6	6
5	G060 5853	Grip - Application	1
6	G060 5854	Panel Cover - Option	3
7	G060 5852	Panel - Control Board	1
8	G060 5856	Bracket - Controller Board	1
9	G060 5454	Harness - PSU	1
10	G060 5500	Harness - Development Motor K	1
11	G060 1194	Cover - Fan Duct	1
12	G060 5841	Application Rack Ass'y	1
13	G060 5848	Bracket - Harness	1
14	G060 5849	Left Rear Cover	1
15	G060 5451	Harness - Middle Main	1
16	G060 5453	Harness - Fusing DC	1
17	G060 5452	Harness - Left Main	1
18	G060 5061	J-BCU Board	1
19	G060 5450	Harness - Lower Main	1
20	G060 5829	Upper Spring Plate - Rack	1

Index No.	Part No.	Description	Q'ty Per Assembly
101	0353 0060B	Philips Pan Head Screw - M3x6	
102	0353 0060Z	Screw - M3X6	
103	0451 3006B	Tapping Screw - M3x6	
104	1105 0367	Spacer	
105	1105 0489	Harness Clamp - LWS 1316	
106	1105 0490	Harness Clamp - IWS-2218	
107	1105 0487	Harness Clamp	

29.Frame Section 1 (G060)

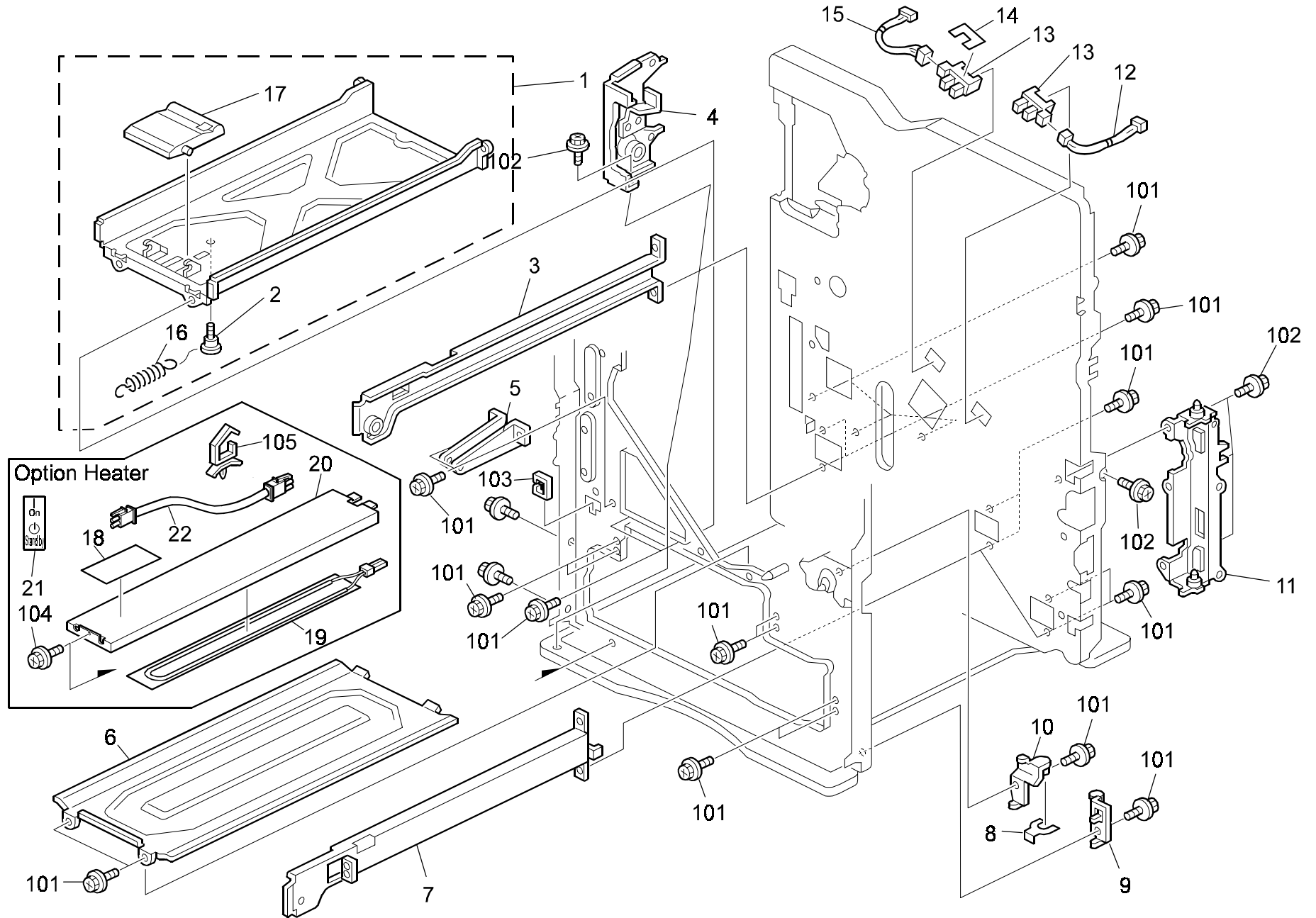


29.Frame Section 1 (G060)

Index No.	Part No.	Description	Q'ty Per Assembly
1	G060 4820	Relay Guide Plate	1
2	G060 3650	Left Slide Rail	1
3	G060 1068	Left Guide Plate - Imaging Uni	1
4	AW02 0121	Photointerruptor - Square	1
5	G060 3621	Collection Bottle Bracket	1
6	AW50 0025	Set Sensor - Collection Bottle	1
7	G060 3661	Right Slide Rail	1
8	G060 1070	Right Guide Plate - Imaging Unit	1
9	G060 4860	Duplex Left Bracket	1
10	G060 5898	FCC Harness Cushion	1
11	G060 5899	FFC Harness Plate	1
12	G060 5493	Harness - Bottle Set Sensor	1

Index No.	Part No.	Description	Q'ty Per Assembly
101	0451 3006B	Tapping Screw - M3x6	
102	0451 3010B	Tapping Screw - M3x10	
103	1105 0511	Harness Clamp - LWS-0306ZC	
104	1105 0487	Harness Clamp	

30.Frame Section 2 (G060)



30.Frame Section 2 (G060)

Index No.	Part No.	Description	Q'ty Per Assembly
1	G060 1079	Holder - Used Collection Bottle	1
2	G012 4617	Stepped Screw - M3	1
3	G060 2779	Left Supporter	1
4	G060 1089	Front Left Supporting Plate	1
5	G060 1277	Bracket - Front Cover Hinge	1
6	G060 1081	Shielding Plate - Paper Feed	1
7	G060 2776	Right Supporter	1
8	5447 2681	Snap Ring	1
9	G060 2834	Lower Positioning Plate	1
10	G060 2830	Upper Positioning Plate	1
11	G060 1095	Vertical Transport Hinge	1
12	G060 5487	Harness - On-Off Sensor Right	1
13	AW02 0120	Photointerruptor - Flat	2
14	G060 3998	Seal - Sensor	1
15	G060 5491	Harness - On-Off Sensor Left	1
16	G060 3626	Used Toner Sensor Spring	1
17	G060 3627	Toner Bottle Sensor Feeler	1
18	AA00 0401	Decal - High Temperature	1
19	AX40 0109	Heater - 120V 9W	1
19	AX40 0110	Heater - 230V 9W	1
20	A134 2947	Heater Cover	1
21	GA00 3037	Decal - Power Source	1
22	G060 5519	Harness - Heater	1

Index No.	Part No.	Description	Q'ty Per Assembly
101	0451 3006B	Tapping Screw - M3x6	
102	0802 5276	Tapping Screw With Washer - M3x6	
103	1105 0522	Edge Saddle - LES0510	
104	0360 4006B	Hexagonal Head Screw - M4x6	
105	1105 0487	Harness Clamp	

31.Printer Control Board (G060)

CAPACITOR

SYMBOL NO.	INDEX NO.	SYMBOL NO.	INDEX NO.	SYMBOL NO.	INDEX NO.	SYMBOL NO.	INDEX NO.	SYMBOL NO.	INDEX NO.	SYMBOL NO.	INDEX NO.	SYMBOL NO.	INDEX NO.
C1	196	C11	196	C21	147	C31	196	C41	196	C51	196	C61	196
C2	196	----	---	C22	188	C32	194	C42	191	C52	196	C62	191
C3	191	----	---	----	---	C33	196	C43	194	C53	146	C63	196
C4	196	C14	196	C24	196	C34	196	C44	191	C54	194	C64	194
C5	191	C15	196	C25	196	C35	196	C45	196	C55	196	C65	191
C6	186	----	---	C26	196	C36	187	C46	194	C56	196	C66	196
C7	191	C17	148	C27	196	C37	186	C47	194	C57	196	C67	154
C8	191	C18	196	C28	146	C38	187	C48	196	C58	196	C68	196
C9	196	C19	196	C29	191	C39	196	C49	196	C59	191	C69	194
C10	194	C20	196	C30	194	C40	196	C50	196	C60	194	----	---

CAPACITOR

SYMBOL NO.	INDEX NO.	SYMBOL NO.	INDEX NO.	SYMBOL NO.	INDEX NO.	SYMBOL NO.	INDEX NO.	SYMBOL NO.	INDEX NO.	SYMBOL NO.	INDEX NO.	SYMBOL NO.	INDEX NO.
C71	196	C91	196	C101	192	C111	194	C121	196	C131	196	C141	195
C72	196	C92	194	C102	193	C112	194	C122	196	C132	196	C142	195
C73	196	C93	186	C103	194	C113	194	C123	195	C133	194	C143	195
C74	196	C94	196	C104	154	C114	194	C124	195	C134	194	C144	196
C75	196	C95	196	----	---	C115	194	C125	195	C135	154	C145	194
C79	196	C96	187	C106	146	C116	194	C126	195	C136	196	C146	196
C80	154	----	---	C107	196	C117	196	C127	194	C137	195	C147	194
C81	194	----	---	C108	196	C118	151	C128	194	C138	195	C148	196
C82	193	C99	153	C109	194	C119	196	C129	196	C139	196	C149	194
C83	192	C100	153	C110	194	C120	154	C130	196	C140	194	C150	196

31.Printer Control Board (G060)

CAPACITOR

SYMBOL NO.	INDEX NO.	SYMBOL NO.	INDEX NO.	SYMBOL NO.	INDEX NO.	SYMBOL NO.	INDEX NO.	SYMBOL NO.	INDEX NO.	SYMBOL NO.	INDEX NO.	SYMBOL NO.	INDEX NO.
C151	194	C161	150	C171	194	C181	196	C191	194	C201	195	C211	196
C152	196	C162	195	C172	194	C182	191	C192	195	C202	194	C212	196
C153	196	C163	194	C173	194	C183	194	C193	150	C203	196	C213	150
C154	196	C164	191	C174	196	C184	196	C194	150	C204	194	C214	195
C155	194	C165	150	C175	194	C185	191	C195	191	C205	195	C215	194
C156	196	C166	194	C176	194	C186	150	C196	196	C206	196	C216	152
C157	194	C167	191	C177	194	C187	194	C197	194	C207	194	C217	150
C158	196	C168	195	C178	196	C188	191	C198	150	C208	196	C218	196
C159	194	C169	196	C179	196	C189	195	C199	195	C209	196	C219	191
C160	196	C170	196	C180	154	C190	196	C200	191	C210	194	C220	150

CAPACITOR

SYMBOL NO.	INDEX NO.	SYMBOL NO.	INDEX NO.	SYMBOL NO.	INDEX NO.	SYMBOL NO.	INDEX NO.	SYMBOL NO.	INDEX NO.	SYMBOL NO.	INDEX NO.	SYMBOL NO.	INDEX NO.
---	---	C231	194	C241	150	C251	194	C261	194	C271	194	C281	196
C222	196	C232	196	C242	195	C252	150	C262	191	C272	195	C283	196
C223	196	C233	196	C243	194	C253	150	C263	150	C273	150	C288	154
C224	194	C234	194	C244	191	C254	191	C264	150	C274	191	C289	149
---	---	C235	194	C245	196	C255	194	C265	195	C275	196	C290	147
C226	194	C236	196	C246	194	C256	195	C266	191	C276	196	C291	196
C227	194	C237	154	C247	150	C257	191	C267	195	C277	196	C292	196
C228	196	C238	196	C248	195	C258	196	C268	194	C278	196	C293	196
C229	196	C239	196	C249	195	C259	194	C269	150	C279	196	C294	196
C230	194	C240	191	C250	196	C260	195	C270	191	C280	196	C295	194

31.Printer Control Board (G060)

CAPACITOR

SYMBOL NO.	INDEX NO.
C296	196
C297	196
C298	194
C299	194
C300	194
C301	194
C302	194
C303	196
C304	194
C305	196

SYMBOL NO.	INDEX NO.
C306	189
C307	196
C308	194
C309	190
C310	190
C316	194
C317	196

CONNECTOR

SYMBOL NO.	INDEX NO.
CN1	109
CN2	110
CN3	106
CN4	104
CN5	108
CN6	108
CN7	105
CN8	105
CN9	105
CN10	103

SYMBOL NO.	INDEX NO.
CN11	101
CN12	102
CN13	111
CN14	107

DIODE

SYMBOL NO.	INDEX NO.
D1	117
D2	117
D3	117
D4	116

FILTER

SYMBOL NO.	INDEX NO.
FIL1	157
FIL2	157
FIL3	157
FIL4	157
FIL5	157
FIL6	157
FIL7	157
FIL8	157
FIL13	157
FIL14	155

SYMBOL NO.	INDEX NO.
FIL15	155
FIL16	157

IC

SYMBOL NO.	INDEX NO.
IC3	129
IC5	124
IC6	122
IC9	113
IC10	123
IC11	1
IC14	197
IC17	131
IC19	118
IC20	119

SYMBOL NO.	INDEX NO.
IC21	118
IC27	121
IC29	127
IC30	125
IC32	132
IC33	126
(Socket)	112
IC37	130
IC38	120
IC39	120

SYMBOL NO.	INDEX NO.
IC40	120
IC41	120
IC42	120
IC43	128
IC45	131

JP

SYMBOL NO.	INDEX NO.
JP1	176
JP2	176
JP6	176
JP8	176
JP9	176
JP10	176
JP11	176
JP12	176
JP14	176
JP15	176

SYMBOL NO.	INDEX NO.
JP16	176
JP17	176
JP18	176
JP19	176
JP21	179
JP22	179
JP276	179
JP277	179
JP278	179
JP279	179

SYMBOL NO.	INDEX NO.
JP280	179

OSC

SYMBOL NO.	INDEX NO.
OSC1	135
OSC2	136

Q

SYMBOL NO.	INDEX NO.
Q1	115

31.Printer Control Board (G060)

RESISTOR

SYMBOL NO.	INDEX NO.	SYMBOL NO.	INDEX NO.	SYMBOL NO.	INDEX NO.	SYMBOL NO.	INDEX NO.	SYMBOL NO.	INDEX NO.	SYMBOL NO.	INDEX NO.	SYMBOL NO.	INDEX NO.
R1	173	R15	163	R25	158	R35	172	R45	167	R55	169	R65	167
R2	164	R16	163	R26	182	R36	172	R46	167	R56	169	R66	167
R3	173	R17	163	R27	183	R37	172	R47	167	R57	169	R67	167
R4	173	R18	163	R28	169	R38	172	R48	167	R58	180	R68	167
R5	173	R19	163	R29	169	R39	172	R49	167	R59	180	R69	167
R10	163	R20	163	R30	169	R40	185	R50	167	R60	169	R70	167
R11	163	R21	163	R31	169	R41	178	R51	167	R61	167	R71	167
R12	163	R22	158	R32	169	R42	178	R52	167	R62	167	R72	167
R13	163	R23	159	R33	169	R43	167	R53	167	R63	167	R73	167
R14	163	R24	159	R34	164	R44	167	R54	169	R64	167	R74	167

RESISTOR

SYMBOL NO.	INDEX NO.	SYMBOL NO.	INDEX NO.	SYMBOL NO.	INDEX NO.	SYMBOL NO.	INDEX NO.	SYMBOL NO.	INDEX NO.	SYMBOL NO.	INDEX NO.	SYMBOL NO.	INDEX NO.
R75	167	R85	169	R95	163	R108	169	R120	170	R132	171	R147	170
R76	167	R86	169	R96	169	R109	164	R121	163	R133	171	R148	163
R77	167	R87	169	R97	171	R110	169	R123	173	R134	171	R150	170
R78	167	R88	169	R98	171	R111	164	R124	163	R135	171	R152	163
R79	167	R89	169	R99	171	R112	169	R126	165	R136	171	R154	163
R80	169	R90	169	R100	169	R113	169	R127	165	R137	164	R155	165
R81	169	R91	169	R101	167	R114	162	R128	165	R138	169	R157	163
R82	169	R92	167	R104	169	R115	163	R129	165	R143	169	R158	171
R83	169	R93	167	R106	169	R118	170	R130	165	R144	173	R159	171
R84	169	R94	167	R107	164	R119	170	R131	165	R146	163	R160	171

31.Printer Control Board (G060)

RESISTOR

SYMBOL NO.	INDEX NO.	SYMBOL NO.	INDEX NO.	SYMBOL NO.	INDEX NO.	SYMBOL NO.	INDEX NO.	SYMBOL NO.	INDEX NO.	SYMBOL NO.	INDEX NO.	SYMBOL NO.	INDEX NO.
R161	171	R171	164	R185	173	R195	167	R205	171	R215	167	R225	163
R162	171	R172	169	R186	163	R196	167	R206	169	R216	167	R226	163
R163	171	R173	163	R187	168	R197	167	R207	163	R217	167	R227	161
R164	171	R174	169	R188	163	R198	167	R208	163	R218	167	R228	161
R165	171	R175	163	R189	163	R199	167	R209	163	R219	167	R229	163
R166	171	R176	169	R190	171	R200	167	R210	167	R220	167	R230	163
R167	171	R177	163	R191	173	R201	167	R211	167	R221	167	R231	163
R168	171	R178	169	R192	173	R202	167	R212	167	R222	167	R232	163
R169	173	R179	163	R193	171	R203	167	R213	167	R223	163	R233	163
R170	163	R184	160	R194	163	R204	171	R214	167	R224	163	R234	163

RESISTOR

SYMBOL NO.	INDEX NO.	SYMBOL NO.	INDEX NO.	SYMBOL NO.	INDEX NO.	SYMBOL NO.	INDEX NO.	SYMBOL NO.	INDEX NO.	REG	INDEX NO.	SYMBOL NO.	INDEX NO.
R235	167	R246	175	R258	169	R268	169	R307	170	REG1	133	RN1	141
R236	163	R247	166	R259	169	R269	169	R308	170	REG2	134	RN2	141
R237	163	R248	174	R260	169	R270	169	R309	174	REG3	133	RN5	140
R238	159	R250	184	R261	169	R300	163	R310	173			RN6	143
R239	159	R251	181	R262	169	R301	167					RN7	143
R240	177	R252	167	R263	169	R302	167					RN26	143
R241	177	R254	169	R264	169	R303	169					RN27	140
R242	167	R255	169	R265	169	R304	170					RN28	143
R244	163	R256	169	R266	169	R305	170					RN41	138
R245	163	R257	169	R267	169	R306	170					RN42	140

31.Printer Control Board (G060)

RN

SYMBOL NO.	INDEX NO.
RN57	142
RN58	137
RN59	142
RN60	137
RN69	143
RN70	143
RN71	143
RN72	139
RN73	139
RN74	139

SYMBOL NO.	INDEX NO.
RN75	143
RN76	139
RN77	139
RN78	139
RN79	140
RN80	140
RN81	140
RN82	140
RN83	140
RN84	140

SYMBOL NO.	INDEX NO.
RN85	140
RN86	140
RN87	143
RN88	143
RN89	143
RN90	139
RN91	139
RN92	139
RN93	139
RN94	139

SYMBOL NO.	INDEX NO.
RN95	143
RN96	143
RN97	139
RN98	139
RN99	143
RN100	139
RN101	139
RN102	139
RN106	144
RN107	144

SYMBOL NO.	INDEX NO.
RN108	144
RN122	144
RN125	144
RN126	145
RN127	145
RN128	144

SWITCH

SYMBOL NO.	INDEX NO.
SW2	114

T

SYMBOL NO.	INDEX NO.
T1	156

31.Printer Control Board (G060)

Index No.	Part No.	Description	Q'ty Per Assembly
*	G060 5740	Controller Board	1
*	G060 9099	Total Counter - RAM-STK12C68-P55	1
1	G060 5785	IC-ASIC COMIC	1
2	G060 5980	Heat Sink	1
3	G060 5982	Heat Sink - PUG16	1

Index No.	Part No.	Description	Q'ty Per Assembly
101	1102 2391	Connector - HIF3FB-40PA-2.54DSA	
102	1102 5303	Connector - 4P	
103	1102 7785	Connector - 57RE40360830BD29B	
104	1102 8153	Connector - FCN-568P068-G/05A-V4	
105	1102 8355	Connector - Dimm - DMM2-SD72A-1131	
106	1102 8357	Connector - 52777-0809	
107	1102 8373	Connector - RJHS-5381	
108	1102 8516	Connector - DIMM-20-6403-144-121-856	
109	1102 8582	Connector - IMSA-9730B-200A-GF	
110	1102 8583	Connector - 440024-1	
111	1102 8584	Connector - 52777-0409	
112	1104 0511	IC Socket - 8P - DICF-8CS-E	
113	1104 0771	IC Socket - 28PIN	
114	1204 1422	Dip Switch - 51d-0401	
115	1400 0891	Transistor - RT1N136C	
116	1402 1336	Diode - 1SS355	
117	1402 1343	Diode - RB106L-40	
118	1407 4919	IC - 74VHCT244 TSSOP	
119	1407 5122	IC - CMOS LOGIC-TC74ACT374FT	
120	1407 5275	CMOS Logic - 74LVCHR16245A TSSOP	
121	1407 5281	IC - EEPROM-I2C BUS 1K SOP	
122	1407 5282	IC - DP83846AVHG	
123	1407 5293	CMOS Logic - 74ALVCH16827 TSSOP	
124	1407 5297	IC - CPU RM7000-250T-REV2.1E	
125	1407 5300	CMOS Logic - 74LVC16244A TSSOP	
126	1407 5309	IC - MICROWIRE BUS 1K DIP	
127	1407 5320	CMOS Logic 74LVC374A TSSOP	
128	1407 5321	CMOS Logic - 74LVCH16374A TSSOP	
129	1407 5322	IC - CMOS LOGIC SN74LVC161284DGG	
130	1407 5329	Clock Generator - W211b	
131	1407 5334	IC - CMOS LOGIC 74LVC244A TSSOP	
132	1408 0575	IC - M51957BFP	
133	1408 1507	Regulator - PQ05VY3H3Z	
134	1408 1561	Series Regulator - Q5EV3	
135	1503 0842	Oscillator - 14.31818MHZ	

Index No.	Part No.	Description	Q'ty Per Assembly
136	1503 0959	Crystal Oscillator - 25MHz	
137	1601 7752	Resistor Array - 10K Ω \pm 5%	
138	1601 7760	Resistor Array	
139	1601 7781	Resistor - 10 Ω \pm 5%	
140	1601 7867	Resistor - 33 Ω \pm 5% 1/16W	
141	1601 7871	Resistor - 68 Ω \pm 5% 1/16W	
142	1601 7872	Resistor Array - 220 Ω \pm 5% 1/16W	
143	1601 7879	Resistor - 22 Ω \pm 5% 1/16W	
144	1601 7915	Resistor Array - 33 Ω \pm 5% 1/16W	
145	1601 7933	Resistor Array - 100 Ω \pm 5% 1/16W	
146	1604 4333	Capacitor - 100 μ F \pm 20% 10V	
147	1604 4365	Condensor - 470 μ F16v \pm 20%	
148	1605 1025	Capacitor - 1000pF \pm 10% 2KV	
149	1605 1071	Capacitor - 1 μ F \pm 10% 25V	
150	1605 1072	Capacitor - 4.7 μ F \pm 10% 16V	
151	1605 1081	Capacitor - 10 Uf +80-20% 25V	
152	1605 1085	Ceramic Capacitor - 0.082 μ F \pm 10% 1	
153	1605 1127	Capacitor - 8 \pm 0.5pF 50V	
154	1605 1162	Capacitor - 10 μ F+80 -20% 10V	
155	1607 0824	Filter - BLM11A601SPB	
156	1607 0987	Inductor - TLA-6T103	
157	1607 1206	Filter - ACC2012L-250	
158	1630 2271	Resistor - 270 Ω - 1/8W	
159	1630 2750	Resistor - 758 Ω 1/8W \pm 5%	
160	1630 3271	Resistor - 270 Ω +5% 1/10W	
161	1630 3519	Resistor - 5.1 Ω \pm 5% 1/10W	
162	1630 3561	Resistor - 560 Ω \pm 5% 1/10W	
163	1630 4103	Resistor - 10K Ω \pm 5% 1/16W	
164	1630 4122	Resistor - 1.2K Ω 5% 1/16W	
165	1630 4150	Resistor - 15 Ω \pm 5.00%,1/16W	
166	1630 4184	Resistor - 180k Ω \pm 5% 1/16w	
167	1630 4220	Resistor - 22 Ω \pm 5% 1/16W	
168	1630 4222	Resistor - 2.2K Ω \pm 5%	
169	1630 4330	Resistor - 33 Ω \pm 5% 1/8W	
170	1630 4470	Resistor - 470 Ω \pm 5% 1/16W	

Index No.	Part No.	Description	Q'ty Per Assembly
171	1630 4472	Resistor - 4.7K Ω \pm 5% 1/16W	
172	1630 4512	Resistor - 5.1k Ω - \pm 5% - 1/16W	
173	1630 4680	Resistor - 68 Ω \pm 5% 1/16W	
174	1630 4681	Resistor - 680 Ω \pm 5% 1/16W	
175	1630 4753	Resistor - 75K Ω \pm 5% 1/16W	
176	1632 0000	Resistor - 0 Ω 1/8W	
177	1632 4999	Resistor 49.9 Ω \pm 1% 1/8w	
178	1632 5499	Resistor - 54.9 Ω \pm 1% 1/8W	
179	1634 0000	Resistor - 0 Ω 1/16W	
180	1634 1001	Resistor - 1K Ω \pm 5% 1/16W	
181	1634 1201	Resistor - 1.2K Ω \pm 1% 1/16W	
182	1634 1501	Resistor - 1.50k Ω - \pm 1% - 1/16W	
183	1634 1621	Resistor - 1.62K Ω \pm 1% 1/16W	
184	1634 2001	Resistor - 2.00K Ω \pm 1% 1/16W	
185	1634 9311	Resistor - 9.31K Ω \pm 1% 1/16W	
186	1644 0470	Capacitor - 47 μ F \pm 20% 10V	
187	1644 6101	Capacitor - 100 μ F \pm 20% 6.3V	
188	1660 0100	Capacitor - 10PF \pm 0.5pF 50V	
189	1660 2150	Capacitor - 15pF \pm 5% 50V	
190	1660 2220	Capacitor - 22pF \pm 20% 35V	
191	1660 2221	Capacitor - 220pF +80-20% 50V	
192	1660 2330	Capacitor - 33pF - \pm 5% - 50V	
193	1660 2471	Capacitor - 470pF - \pm 5% - 50V	
194	1660 4102	Capacitor - 1000pF \pm 10% 50V	
195	1660 6103	Capacitor - 10000pF - +80%-20%50V	
196	1660 8104	Capacitor - 0.1 μ F+80-20% 25V	
197	1906 0016	IC - LH28F160BJE-BTL70	

32.BCU Board (G060)

CAPACITOR

SYMBOL NO.	INDEX NO.	SYMBOL NO.	INDEX NO.	SYMBOL NO.	INDEX NO.	SYMBOL NO.	INDEX NO.	SYMBOL NO.	INDEX NO.	SYMBOL NO.	INDEX NO.	SYMBOL NO.	INDEX NO.
C1	193	C21	255	C31	196	C47	192	C58	192	C69	192	C84	192
C2	193	C22	255	C32	188	C48	192	C59	192	C70	192	C85	192
C3	195	C23	196	C33	193	C49	192	C61	192	C72	192	C86	192
C5	196	C24	248	C34	196	C50	192	C62	192	C73	250	C87	192
C6	195	C25	186	C35	196	C51	192	C63	192	C75	247	C88	192
C10	196	C26	187	C36	196	C52	192	C64	192	C76	247	C89	192
C11	242	C27	190	C37	193	C53	192	C65	192	C77	247	C90	192
C12	190	C28	190	C39	263	C54	192	C66	192	C78	247	C91	192
C13	248	C29	252	C42	189	C55	192	C67	192	C80	245	C92	192
C20	249	C30	195	C45	192	C56	192	C68	192	C82	192	C93	192

CAPACITOR

SYMBOL NO.	INDEX NO.	SYMBOL NO.	INDEX NO.	SYMBOL NO.	INDEX NO.	SYMBOL NO.	INDEX NO.	SYMBOL NO.	INDEX NO.	SYMBOL NO.	INDEX NO.	SYMBOL NO.	INDEX NO.
C95	192	C106	192	C121	195	C132	196	C142	195	C152	195	C165	195
C96	192	C107	192	C122	195	C133	195	C143	195	C153	195	C166	195
C98	192	C109	192	C123	195	C134	195	C144	195	C154	196	C167	196
C99	192	C112	242	C124	195	C135	195	C145	195	C155	196	C168	196
C100	192	C113	241	C125	195	C136	195	C146	195	C156	196	C169	196
C101	192	C114	243	C126	196	C137	195	C147	195	C160	191	C170	195
C102	192	C115	243	C127	196	C138	195	C148	195	C161	262	C171	195
C103	192	C116	243	C128	196	C139	196	C149	195	C162	196	C172	195
C104	192	C119	196	C129	196	C140	196	C150	192	C163	196	C173	196
C105	192	C120	195	C130	196	C141	195	C151	193	C164	196	C174	196

32.BCU Board (G060)

CAPACITOR

SYMBOL NO.	INDEX NO.	SYMBOL NO.	INDEX NO.	SYMBOL NO.	INDEX NO.	SYMBOL NO.	INDEX NO.	SYMBOL NO.	INDEX NO.	SYMBOL NO.	INDEX NO.	SYMBOL NO.	INDEX NO.
C175	192	C186	196	C197	196	C207	193	C217	196	C232	196	C242	195
C176	192	C187	196	C198	195	C208	193	C218	196	C233	195	C243	193
C177	196	C188	196	C199	195	C209	196	C219	194	C234	195	C244	195
C178	196	C189	194	C200	196	C210	196	C220	196	C235	195	C247	196
C179	195	C191	191	C201	196	C211	192	C221	190	C236	195	C248	196
C180	192	C192	196	C202	195	C212	196	C222	190	C237	195	C249	196
C181	196	C193	193	C203	195	C213	192	C228	195	C238	195	C250	194
C182	196	C194	196	C204	195	C214	195	C229	196	C239	195	C251	195
C183	196	C195	196	C205	195	C215	195	C230	195	C240	196	C252	195
C185	194	C196	195	C206	196	C216	194	C231	195	C241	195	C253	195

CAPACITOR

SYMBOL NO.	INDEX NO.	SYMBOL NO.	INDEX NO.	SYMBOL NO.	INDEX NO.	SYMBOL NO.	INDEX NO.	SYMBOL NO.	INDEX NO.	SYMBOL NO.	INDEX NO.	SYMBOL NO.	INDEX NO.
C254	195	C264	195	C274	195	C287	195	C305	195	C320	244	C331	196
C255	195	C265	195	C276	195	C292	195	C306	195	C321	244	C332	196
C256	195	C266	195	C277	195	C294	259	C307	195	C322	196	C333	196
C257	195	C267	195	C278	195	C295	259	C308	195	C323	196	C334	196
C258	195	C268	195	C279	196	C296	260	C309	195	C324	196	C335	194
C259	195	C269	196	C282	195	C300	195	C310	195	C325	195	C336	196
C260	195	C270	195	C283	195	C301	260	C311	195	C326	195	C337	191
C261	195	C271	196	C284	195	C302	193	C312	195	C327	196	C338	196
C262	195	C272	195	C285	195	C303	193	C318	193	C328	195	C339	193
C263	195	C273	195	C286	195	C304	196	C319	193	C330	195	C340	194

32.BCU Board (G060)

CAPACITOR

SYMBOL NO.	INDEX NO.
C341	196
C342	196
C343	196
C344	196
C345	191
C346	196
C347	196
C348	194
C349	191
C350	196

SYMBOL NO.	INDEX NO.
C351	251
C353	195
C355	193
C356	193
C357	195
C358	242
C359	242
C362	244
C363	196
C364	193

SYMBOL NO.	INDEX NO.
C365	193
C366	193
C367	193
C368	190
C369	196
C370	193
C371	195
C372	195
C378	195
C379	196

SYMBOL NO.	INDEX NO.
C380	196
C381	196
C382	195
C383	195
C384	195
C385	195
C386	195
C387	195
C388	195
C389	195

SYMBOL NO.	INDEX NO.
C390	192
C391	192
C392	192
C393	192
C394	192
C395	192
C396	192
C397	192
C398	192
C399	192

SYMBOL NO.	INDEX NO.
C400	192
C401	192
C402	192
C403	192
C404	192
C405	192

CONNECTOR

SYMBOL NO.	INDEX NO.
CN101	122
CN102	107
CN103	124
CN201	115
CN202	114
CN203	111
CN204	120
CN205	116
CN206	117
CN207	121

CONNECTOR

SYMBOL NO.	INDEX NO.
CN208	115
CN209	110
CN210	118
CN211	109
CN212	111
CN213	113
CN214	105
CN215	106
CN216	102
CN217	104

SYMBOL NO.	INDEX NO.
CN218	103
CN219	112
CN220	119
CN221	108
CN222	108
CN223	108
CN224	108
CN225	123
CN226	109
CN228	110

DIODE

SYMBOL NO.	INDEX NO.
D2	116
D4	116

DA

SYMBOL NO.	INDEX NO.
DA1	133
DA2	133
DA3	133
DA4	131
DA6	132
DA8	131
DA9	131
DA10	131
DA11	132
DA12	132

SYMBOL NO.	INDEX NO.
DA13	131

FILTER

SYMBOL NO.	INDEX NO.
FIL1	195
FIL2	195
FIL3	195
FIL4	198
FIL5	197
FIL6	198
FIL7	197
FIL8	197
FIL9	198
FIL10	197

SYMBOL NO.	INDEX NO.
FIL11	198
FIL12	195
FIL13	195
FIL14	195
FIL15	195
FIL16	195
FIL17	196
FIL18	196
FIL19	199
FIL20	199

32.BCU Board (G060)

FILTER

SYMBOL NO.	INDEX NO.
FIL21	199
FIL22	199
FIL23	199
FIL24	199
FIL25	199
FIL26	199
FIL27	199
FIL28	199
FIL29	199
FIL30	199

SYMBOL NO.	INDEX NO.
FIL31	199
FIL32	199
FIL33	199
FIL34	199
FIL35	199
FIL36	199
FIL37	199
FIL38	199
FIL39	199
FIL40	199

SYMBOL NO.	INDEX NO.
FIL41	199
FIL42	199
FIL43	199
FIL44	199
FIL45	199
FIL46	199
FIL47	199
FIL48	199
FIL49	199
FIL50	199

FUSE

SYMBOL NO.	INDEX NO.
FU1	126

IC

SYMBOL NO.	INDEX NO.
IC1	167
IC2	157
IC3	167
IC4	160
IC7	161
IC8	148
IC9	148
IC10	1
IC12	155
IC13	2

SYMBOL NO.	INDEX NO.
IC14	143
IC15	157
IC16	143
IC17	156
IC19	151
IC20	125
IC21	146
IC22	146
IC23	159
IC25	153

SYMBOL NO.	INDEX NO.
IC26	140
IC27	143
IC28	147
IC29	142
IC30	163
IC32	143
IC33	143
IC34	141
IC35	140
IC38	150

IC

SYMBOL NO.	INDEX NO.
IC39	150
IC41	150
IC42	150
IC43	150
IC44	150
IC45	154
IC47	146
IC49	143
IC50	146
IC51	145

SYMBOL NO.	INDEX NO.
IC52	149
(Socket)	3
IC53	265
IC54	265
IC55	166
IC56	166
IC57	4
IC58	152
IC59	160
IC60	164
IC61	158

JP

SYMBOL NO.	INDEX NO.
JP1	179
JP2	179
JP3	179
JP6	179
JP7	179
JP8	179
JP9	179
JP10	179
JP14	179
JP15	179

SYMBOL NO.	INDEX NO.
JP16	179
JP17	179
JP18	179
JP19	179
JP21	179
JP22	179
JP23	179
JP24	179
JP25	179
JP26	225

SYMBOL NO.	INDEX NO.
JP32	179
JP33	179
JP34	179
JP45	179
JP46	179
JP51	179
JP53	179
JP55	179
JP59	179
JP60	179

SYMBOL NO.	INDEX NO.
JP61	179
JP62	179

L

SYMBOL NO.	INDEX NO.
L1	194

32.BCU Board (G060)

LED

SYMBOL NO.	INDEX NO.
LED1	137
LED2	138

OSC

SYMBOL NO.	INDEX NO.
OSC2	170
OSC4	169
OSC5	171
OSC6	171

Q

SYMBOL NO.	INDEX NO.
Q2	144
Q3	139
Q4	144
Q5	144
Q6	144
Q7	144
Q8	144
Q14	128
Q15	165
Q16	165

RESISTOR

SYMBOL NO.	INDEX NO.
Q17	129
Q18	129
Q19	127
Q20	127
Q21	127
Q22	130
Q23	130
Q24	130
Q25	128

RESISTOR

SYMBOL NO.	INDEX NO.
R2	208
R3	171
R4	163
R5	163
R6	171
R7	208
R8	223
R9	172
R30	172
R31	172

SYMBOL NO.	INDEX NO.
R34	163
R35	163
R36	163
R37	173
R38	173
R39	217
R40	173
R52	219
R53	163
R54	169

SYMBOL NO.	INDEX NO.
R56	168
R57	237
R58	215
R59	215
R60	230
R61	237
R62	230
R63	237
R64	169
R65	169

RESISTOR

SYMBOL NO.	INDEX NO.
R66	169
R67	169
R68	171
R69	169
R70	169
R71	168
R72	205
R73	213
R74	223
R75	171

SYMBOL NO.	INDEX NO.
R76	163
R79	169
R80	169
R81	169
R82	206
R83	168
R84	206
R85	171
R92	163
R93	171

SYMBOL NO.	INDEX NO.
R94	169
R95	219
R96	219
R97	207
R98	169
R99	171
R101	219
R103	219
R107	171
R109	219

SYMBOL NO.	INDEX NO.
R111	219
R112	171
R114	169
R115	171
R116	207
R117	219
R118	169
R119	169
R120	219
R121	207

SYMBOL NO.	INDEX NO.
R122	219
R123	169
R125	171
R127	219
R130	171
R132	219
R136	219
R137	169
R138	171
R139	207

SYMBOL NO.	INDEX NO.
R140	169
R141	169
R142	207
R143	219
R144	169
R145	219
R149	171
R151	219
R155	171
R156	219

SYMBOL NO.	INDEX NO.
R158	169
R159	219
R160	207
R161	171
R162	169
R163	169
R164	219
R165	219
R166	207
R167	169

32.BCU Board (G060)

RESISTOR

SYMBOL NO.	INDEX NO.	SYMBOL NO.	INDEX NO.	SYMBOL NO.	INDEX NO.	SYMBOL NO.	INDEX NO.	SYMBOL NO.	INDEX NO.	SYMBOL NO.	INDEX NO.	SYMBOL NO.	INDEX NO.
R170	171	R191	219	R204	169	R214	169	R224	163	R236	169	R246	169
R175	219	R195	163	R205	169	R215	169	R225	223	R237	169	R247	169
R177	219	R196	238	R206	169	R216	171	R226	213	R238	169	R248	169
R179	171	R197	234	R207	169	R217	173	R229	163	R239	171	R249	169
R185	171	R198	163	R208	169	R218	173	R230	169	R240	169	R250	169
R186	169	R199	169	R209	169	R219	173	R231	169	R241	169	R251	169
R187	219	R200	169	R210	169	R220	173	R232	169	R242	169	R252	169
R188	207	R201	169	R211	169	R221	163	R233	171	R243	169	R253	169
R189	169	R202	169	R212	169	R222	169	R234	219	R244	169	R254	169
R190	163	R203	169	R213	169	R223	169	R235	169	R245	169	R255	169

RESISTOR

SYMBOL NO.	INDEX NO.	SYMBOL NO.	INDEX NO.	SYMBOL NO.	INDEX NO.	SYMBOL NO.	INDEX NO.	SYMBOL NO.	INDEX NO.	SYMBOL NO.	INDEX NO.	SYMBOL NO.	INDEX NO.
R256	163	R266	163	R282	169	R292	230	R304	163	R314	208	R327	212
R257	206	R267	240	R283	169	R293	237	R305	163	R317	163	R328	212
R258	168	R268	230	R284	207	R296	173	R306	169	R318	163	R329	220
R259	213	R270	238	R285	173	R297	173	R307	173	R319	206	R330	227
R260	213	R271	171	R286	173	R298	163	R308	173	R320	168	R331	227
R261	163	R272	171	R287	173	R299	163	R309	173	R321	168	R332	232
R262	163	R273	234	R288	223	R300	163	R310	208	R322	206	R333	210
R263	171	R274	171	R289	171	R301	208	R311	208	R323	215	R334	163
R264	223	R276	171	R290	230	R302	203	R312	208	R325	163	R335	210
R265	208	R281	169	R291	215	R303	163	R313	208	R326	220	R336	201

32.BCU Board (G060)

RESISTOR

SYMBOL NO.	INDEX NO.	SYMBOL NO.	INDEX NO.	SYMBOL NO.	INDEX NO.	SYMBOL NO.	INDEX NO.	SYMBOL NO.	INDEX NO.	SYMBOL NO.	INDEX NO.	SYMBOL NO.	INDEX NO.
R337	173	R359	208	R371	213	R384	163	R401	207	R413	163	R425	208
R338	173	R360	169	R372	236	R385	173	R402	231	R414	208	R426	208
R345	173	R362	208	R373	237	R387	208	R405	231	R415	171	R427	208
R346	173	R364	219	R374	236	R389	163	R406	207	R416	171	R428	208
R348	173	R365	163	R375	237	R390	222	R407	208	R417	208	R429	208
R349	173	R366	163	R378	173	R391	208	R408	208	R418	163	R433	229
R350	173	R367	208	R379	173	R392	208	R409	237	R419	163	R434	229
R356	169	R368	227	R380	163	R393	222	R410	208	R420	163	R435	229
R357	169	R369	168	R381	163	R399	163	R411	237	R421	163	R436	229
R358	169	R370	171	R383	173	R400	163	R412	163	R422	210	R437	211

RESISTOR

SYMBOL NO.	INDEX NO.	SYMBOL NO.	INDEX NO.	SYMBOL NO.	INDEX NO.	SYMBOL NO.	INDEX NO.	SYMBOL NO.	INDEX NO.	SYMBOL NO.	INDEX NO.	SYMBOL NO.	INDEX NO.
R438	208	R451	210	R462	163	R472	217	R482	163	R498	214	R513	208
R439	208	R452	163	R463	163	R473	203	R483	163	R499	214	R514	208
R440	208	R454	163	R464	163	R474	210	R484	239	R500	163	R515	208
R441	208	R455	163	R465	163	R475	207	R488	208	R501	163	R516	208
R444	208	R456	163	R466	204	R476	208	R489	239	R502	173	R517	228
R446	163	R457	163	R467	163	R477	207	R490	208	R503	173	R518	208
R447	210	R458	163	R468	163	R478	163	R492	239	R505	203	R519	202
R448	201	R459	163	R469	163	R479	163	R493	233	R510	208	R520	163
R449	163	R460	163	R470	163	R480	207	R494	235	R511	208	R521	163
R450	163	R461	163	R471	163	R481	207	R495	233	R512	208	R522	163

32.BCU Board (G060)

RESISTOR

SYMBOL NO.	INDEX NO.
R524	163
R525	210
R526	200
R527	179

REG

SYMBOL NO.	INDEX NO.
REG2	162
REG7	168
REG8	168

RN

SYMBOL NO.	INDEX NO.
RN2	175
RN9	137
RN10	137
RN11	175
RN29	175
RN31	137
RN34	137
RN36	137
RN37	137
RN39	175

SYMBOL NO.	INDEX NO.
RN40	137
RN51	137
RN52	137
RN67	176
RN68	137
RN71	137
RN72	175
RN73	137
RN96	140
RN98	174

SYMBOL NO.	INDEX NO.
RN108	140
RN109	137
RN113	140
RN119	137
RN122	137
RN126	137
RN131	137
RN136	175
RN137	180
RN138	180

SYMBOL NO.	INDEX NO.
RN139	180
RN140	180
RN144	144
RN145	144
RN146	144
RN147	144
RN148	144
RN149	144
RN150	144
RN151	144

SYMBOL NO.	INDEX NO.
RN152	144
RN153	144
RN154	144
RN155	183
RN156	183
RN157	183
RN158	183
RN159	183
RN160	183
RN161	184

SYMBOL NO.	INDEX NO.
RN162	184
RN163	184
RN164	184
RN165	184
RN168	180
RN169	180
RN170	180
RN171	182
RN172	180
RN173	182

SYMBOL NO.	INDEX NO.
RN174	180
RN175	182
RN176	180
RN177	182
RN178	180
RN179	180
RN180	180
RN181	180
RN182	180
RN183	180

SYMBOL NO.	INDEX NO.
RN184	181
RN185	181
RN186	180
RN187	141
RN188	181
RN189	181
RN190	175
RN191	175
RN193	137
RN195	186

SYMBOL NO.	INDEX NO.
RN196	186
RN197	186
RN198	186
RN199	145
RN200	145

TP

SYMBOL NO.	INDEX NO.
TP17	101
TP50	101
TP51	101
TP52	101
TP65	101

ZD

SYMBOL NO.	INDEX NO.
ZD1	135
ZD2	136
ZD5	135
ZD6	135
ZD7	135
ZD9	135
ZD10	136
ZD11	136

32.BCU Board (G060)

Index No.	Part No.	Description	Q'ty Per Assembly
*	G060 5061	J-BCU Board	1
*	1407 5404	IC - EEPROM I2C BUS 32K DIP	1
1	A232 5355	IC - GATEX	1
2	G060 5355	IC - S-GATEX	1
3	G060 5550	IC Socket - IC197-4807-2000	1
4	G060 5795	IC - RL5C60Z	1

Index No.	Part No.	Description	Q'ty Per Assembly
101	1101 0328	Connector Pin Contact	
102	1102 6299	Connector - 6P	
103	1102 6300	Connector - 7P	
104	1102 6301	Connector - 8P	
105	1102 6303	Connector - 10P	
106	1102 6304	Connector - 11P	
107	1102 7149	Connector - 53375-1010	
108	1102 7460	Connector - FH12-50S-0.5SH	
109	1102 8469	Connector - 55447-0510	
110	1102 8473	Connector - 55447-0910	
111	1102 8478	Connector - 55447-1410	
112	1102 8480	Connector - 55447-1610	
113	1102 8482	Connector - 55447-1810	
114	1102 8485	Connector - 55451-2210	
115	1102 8486	Connector - 55451-2410	
116	1102 8487	Connector - 55451-2610	
117	1102 8488	Connector - 5451-2810	
118	1102 8489	Connector - 55451-3010	
119	1102 8491	Connector - 55451-3410	
120	1102 8492	Connector - 55451-3610	
121	1102 8494	Connector - 55451-4010	
122	1102 8522	Connector - 53375-1510	
123	1102 8559	Connector - 9730S-200C-GF	
124	1102 8571	Connector - 53375-0910	
125	1104 0764	IC Socket - 8 Pin	
126	1107 0989	Fuse - Ke10	
127	1400 0395	Transistor - DTA114EKA	
128	1400 0556	Transistor - DTB143EK	
129	1400 0855	Transistor - 2SA1235A	
130	1400 0857	Transistor - Rt1n141c	
131	1402 0595	Diode Array - DAN202K	
132	1402 0596	Diode-array - DAP202K	
133	1402 0708	Diode - 1SS272	
134	1402 1336	Diode - 1SS355	
135	1402 1378	Diode - PTZ12A	

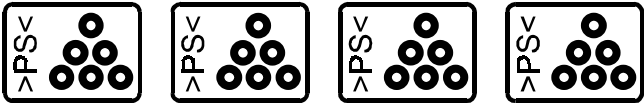

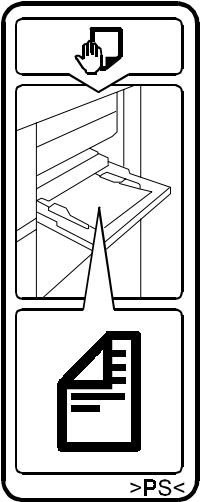

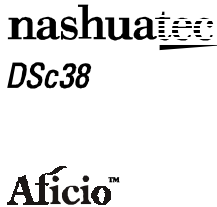


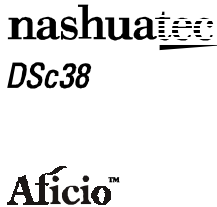



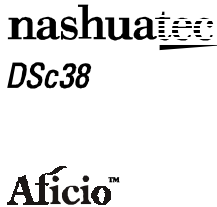







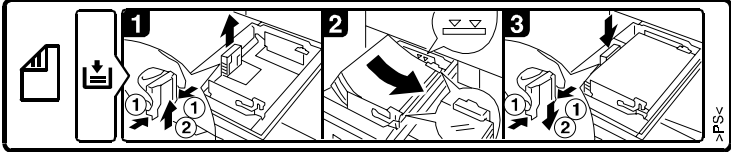





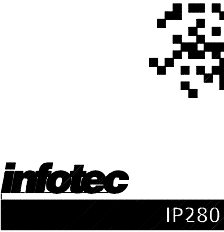


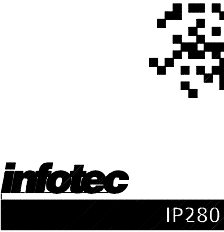
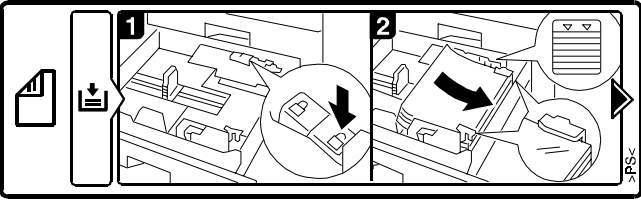


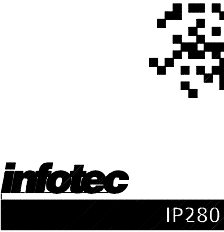
Index No.	Part No.	Description	Q'ty Per Assembly
136	1402 1380	Diode - PTZ 6.2A	
137	1403 0907	Diode - SML-310LT	
138	1403 0953	LED - SML-310MT	
139	1407 1535	IC - TD62308AP	
140	1407 1596	TTLIC - SN74LS14NS	
141	1407 1600	TTLIC - SN74LS244NS	
142	1407 2052	TTLIC - SN74LS74ANS	
143	1407 2187	TTLIC - SN74LS07NS	
144	1407 2219	IC - TD62003AP	
145	1407 3281	IC - TC74HCU04AF	
146	1407 3290	IC - TC74HC02AF	
147	1407 3380	HS-C2MOS - TC74HCT04AF	
148	1407 4718	IC - TC74VHC08F	
149	1407 4963	IC - MBM29F800TA-70pFTN	
150	1407 5110	IC - SN74LV244ANS	
151	1407 5116	IC - 74VHCT74 SOP	
152	1407 5161	IC - HD64F2633WF25	
153	1407 5255	Clock Generator - FS741BZB	
154	1407 5318	IC - SN74LV240ANS	
155	1407 5538	CPU - D6432633WG00F	
156	1408 0810	IC - BA10358F	
157	1408 1065	Comparator - BA10339F	
158	1408 1082	D/A Converter - M62354FP	
159	1408 1095	IC - BA10324AF	
160	1408 1204	IC - TA8083P	
161	1408 1223	Ditector - RN5VD42C	
162	1408 1295	IC - UPC2933T	
163	1408 1394	IC - STK672-110	
164	1408 1398	Detector - RN5VD42A	
165	1408 1535	Transistor Array - M54585P	
166	1408 1549	IC - STK672-210	
167	1408 1550	IC - LM2902PW	
168	1408 1555	Regulator - L1087MP-3.3	
169	1503 0903	Crystal Oscillator- 12.5MHz	
170	1503 0946	Crystal Oscillator - 9.8304MHz	

Index No.	Part No.	Description	Q'ty Per Assembly
171	1503 1007	Crystal Oscillator - 25MHz	
172	1600 1178	Resistor Array - 330Ω ±5% 1W	
173	1601 7752	Resistor Array - 10K Ω ±5%	
174	1601 7759	Resistor Array - 100K Ω ±5% 0.06	
175	1601 7791	Resistor Array - 1K Ω ±5%	
176	1601 7796	Resistor Array - 2.2KO	
177	1601 7867	Resistor - 33 Ω ±5% 1/16W	
178	1601 7871	Resistor - 68Ω ±5% 1/16W	
179	1601 7915	Resistor Array - 33 Ω ±5% 1/16W	
180	1601 7919	Resistor - 10KΩ ±5% 1/16W 8	
181	1601 7926	Resistor - 68 Ω ±5% 1/16W 8	
182	1601 7927	Resistor Array - 1K Ω ±5% 1/16W	
183	1601 7928	Resistor Array - 4.7K Ω±5% 1/16W	
184	1601 7929	Resistor Array - 100K Ω±5%1/16W	
185	1601 7933	Resistor Array - 100 Ω ±5% 1/16W	
186	1601 7934	Resistor Array - 150 Ω±5% 1/16w	
187	1604 2601	Capacitor - 47μF±20% 25V	
188	1604 4661	Capacitor - 100μF±20% 50V	
189	1604 4860	Capacitor - 100μF±20% 50V	
190	1604 4861	Capacitor - 68μF±20% 50V	
191	1605 0808	Capacitor - 7PF ±0.5pF 50V	
192	1605 1148	Capacitor - 0.1μF+80-20% 50V	
193	1605 1179	Capacitor - 1μF±10% 50V	
194	1607 0923	Coil - LEM2520B3R3J	
195	1607 1002	IC - NFM60R30T222	
196	1607 1020	Filter - MMZ1608Y121B	
197	1607 1275	Filter - ACF321825-221	
198	1607 1276	Filter - ACF321825-331	
199	1607 1296	Filter - MMZ1608S601A	
200	1630 1339	Resistor - 3.3 Ω ±5% 1/4W	
201	1630 1680	Resistor - 68 Ω ±5% 1/4W	
202	1630 3103	Resistor - 10KΩ 1/10W ±5%	
203	1630 3201	Resistor - 200 Ω 1/10W ±5%	
204	1630 3681	Resistor - 680 Ω ±5% 1/10W	
205	1630 3821	Resistor - 820 Ω ±5% 1/10W	

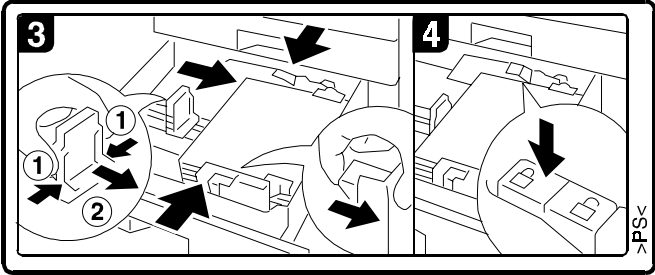
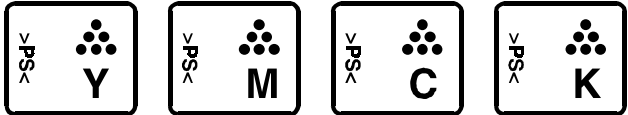
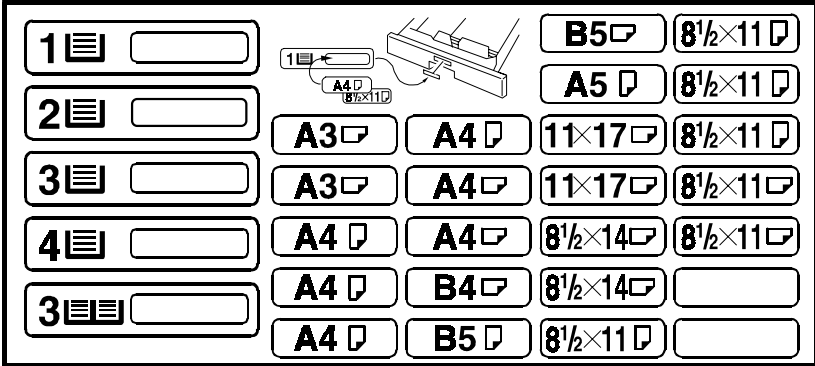


Index No.	Part No.	Description	Q'ty Per Assembly
206	1630 4100	Resistor - 10 Ω \pm 5% 1/16W	
207	1630 4101	Resistor - 100 Ω \pm 5% 1/16W	
208	1630 4102	Resistor - 1.0K Ω \pm 5% 1/16W	
209	1630 4103	Resistor - 10K Ω \pm 5% 1/16W	
210	1630 4104	Resistor - 100 Ω \pm 5% 1/16W	
211	1630 4105	Resistor - 1.0M Ω \pm 5% 1/16W	
212	1630 4152	Resistor - 1.5K Ω \pm 5% 1/16W	
213	1630 4161	Resistor - 160 Ω \pm 5% 1/16W	
214	1630 4162	Resistor - 1.6K Ω \pm 5% 1/16W	
215	1630 4204	Resistor - 200K Ω \pm 5% 1/16W	
216	1630 4222	Resistor - 2.2K Ω \pm 5%	
217	1630 4302	Resistor - 3.0k Ω - \pm 5% - 1/16W	
218	1630 4330	Resistor - 33 Ω \pm 5% 1/8W	
219	1630 4332	Resistor - 3.3K Ω \pm 5% 1/16W	
220	1630 4362	Resistor - 3.6K Ω \pm 5% 1/16W	
221	1630 4472	Resistor - 4.7K Ω \pm 5% 1/16W	
222	1630 4511	Resistor - 510 Ω - \pm 5% - 1/16W	
223	1630 4562	Resistor - 5.6k Ω - \pm 5% - 1/16W	
224	1630 4680	Resistor - 68 Ω \pm 5% 1/16W	
225	1631 0000	Resistor - 0 Ω 1/4W	
226	1634 0000	Resistor - 0 Ω 1/16W	
227	1634 1002	Resistor - 10 Ω \pm 5% 1/16W	
228	1634 1003	Resistor - 100K Ω \pm 1% 1/16W	
229	1634 1004	Resistor - 1.00 Ω \pm 1% 1/16W	
230	1634 1601	Resistor - 1.6K Ω : \pm 1%:1/16W	
231	1634 2402	Resistor - 24K Ω \pm 1% 1/16W	
232	1634 2431	Resistor - 2.43K Ω \pm 1% 1/16W	
233	1634 3903	Resistor - 390k Ω - \pm 1% - 1/16W	
234	1634 4021	Resistor - 4.02K Ω \pm 1% 1/16W 1608	
235	1634 4022	Resistor - 40.2K Ω \pm 1% 1/16W	
236	1634 4301	Resistor - 4.3K Ω \pm 1% 1/8W	
237	1634 5231	Resistor - 5.23K Ω \pm 1% 1/16W	
238	1634 7682	Resistor - 76.8K Ω \pm 1% 1/16W	
239	1634 8201	Resistor 8.2k Ω \pm 1% 1/16w 1608	
240	1634 8662	Resistor - 86.6K Ω \pm 1% 1/16W	

Index No.	Part No.	Description	Q'ty Per Assembly
241	1640 5101	Capacitor - 100 μ F \pm 20% 50V	
242	1640 5470	Capacitor - 47 μ F \pm 20% 50V	
243	1642 0101	Capacitor - 100 μ F \pm 20% 50V	
244	1642 0470	Capacitor - 47 μ F \pm 20% 10V	
245	1642 2470	Capacitor - 47 μ F \pm 20% 25V	
246	1644 0470	Capacitor - 47 μ F \pm 20% 10V	
247	1644 2100	Capacitor - 10 μ F \pm 20% 25V	
248	1644 5100	Capacitor - 10 μ F \pm 20% 50V	
249	1644 6220	Capacitor - 22 μ F \pm 20% 6.3V	
250	1644 6470	Capacitor - 47 μ F \pm 20% 6.3V	
251	1660 2101	Capacitor - 100pF - \pm 10% - 50V	
252	1660 2121	Capacitor - 120pF \pm 5% 50V	
253	1660 2220	Capacitor - 22pF \pm 20% 35V	
254	1660 2221	Capacitor - 220pF +80-20% 50V	
255	1660 2270	Capacitor - 27pF \pm 20% 35V	
256	1660 2330	Capacitor - 33pF - \pm 5% - 50V	
257	1660 2471	Capacitor - 470pF - \pm 5% - 50V	
258	1660 4102	Capacitor - 1000pF \pm 10% 50V	
259	1660 4103	Capacitor - 10000pF - \pm 10% - 50V	
260	1660 4472	Capacitor - 4700pF \pm 10% 50V	
261	1660 6103	Capacitor - 10000pF - +80%-20%50V	
262	1660 6223	Capacitor - 22000pF +80 -20% 50V	
263	1660 6473	Capacitor - 47000pF +80,-20% 50V	
264	1660 8104	Capacitor - 0.1 μ F+80-20% 25V	
265	1902 0041	IC - 1M X8 70NS G10	

33.Decals And Documents (G060)

<p>1</p> 	<p>3</p> 	<p>5</p> 		
<p>2</p> <table border="1"> <tr> <td data-bbox="300 568 544 815">  </td> <td data-bbox="562 568 808 815">  </td> <td data-bbox="826 568 1070 815">  </td> </tr> </table>				<p>4</p> 
				
<table border="1"> <tr> <td data-bbox="300 847 544 1094">  </td> <td data-bbox="562 847 808 1094">  </td> <td data-bbox="826 847 1070 1094">  </td> </tr> </table>				<p>6</p> 
				
<table border="1"> <tr> <td data-bbox="300 1118 544 1366">  </td> <td data-bbox="562 1118 808 1366">  </td> <td data-bbox="826 1118 1070 1366">  </td> </tr> </table>				<p>7</p> 
				

33.Decals And Documents (G060)

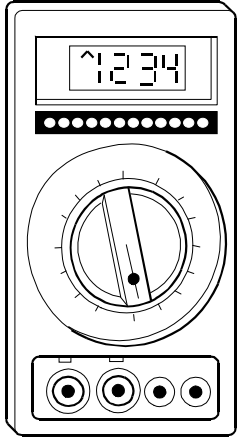
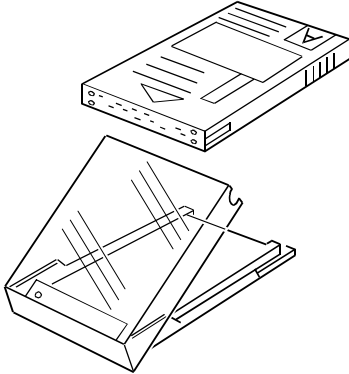
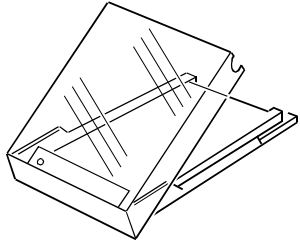
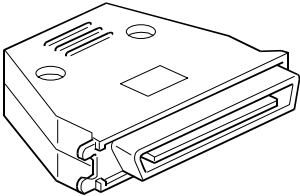
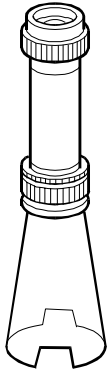
<p>8</p> 	<p>10</p> 
<p>9</p> 	<p>11</p> 
	<p>12</p> 

33.Decals And Documents (G060)

Index No.	Part No.	Description	Q'ty Per Assembly
1	GA00 3030	Decal - Shielding Plate Y	1
1	GA00 3031	Decal - Shielding Plate M	1
1	GA00 3032	Decal - Shielding Plate C	1
1	GA00 3033	Decal - Shielding Plate K	1
2	G060 7005	Decal - Emblem (RIC)	1
2	G060 7405	Decal - Emblem (RIC AP828)	1
2	G060 7505	Decal - Emblem (SVN)	1
2	G060 7506	Decal - Emblem (GES NA)	1
2	G060 7605	Decal - Emblem (NSA)	1
2	G060 7606	Decal - Emblem (REX)	1
2	G060 7607	Decal - Emblem (GES EU)	1
2	G060 7705	Decal - Emblem (INF)	1
2	G060 7805	Decal - Emblem (LAN)	1
3	GA00 1003	Decal - Grip B1	1
4	GA00 1004	Decal - Grip B2	1
5	GA00 3010	Decal - Manual Feed	1
6	GA00 3011	Decal - Paper Tray 1	1
7	GA00 3012	Decal - Paper Tray 2 Left	1
8	GA00 3013	Decal - Paper Tray 2 Right	1
9	GA00 3014	Decal - Paper Tray	1
10	GA00 3016	Decal - Y Toner Supply	1
10	GA00 3017	Decal - M Toner Supply	1
10	GA00 3018	Decal - C Toner Supply	1
10	GA00 3019	Decal - K Toner Supply	1
11	GA00 3025	Decal - Drum Stay	1
12	GA00 3029	Decal - Vertical Transport	1

Index No.	Part No.	Description	Q'ty Per Assembly

34.Special Tools (G060)

<p>1</p> 	<p>2</p> 	<p>3</p> 
<p>4</p> 	<p>5</p> 	

34.Special Tools (G060)

Index No.	Part No.	Description	Q'ty Per Assembly
1	A230 9352	Digital Multimeter - FLUKE87	1
2	A230 9352	Flash Memory Card - 4MB	1
3	A230 9351	Case - Flash Memory Card	1
4	G021 9350	Loopback Connector - Parallel	1
5	C401 9503	20X Magnification Scope	1

Index No.	Part No.	Description	Q'ty Per Assembly
-----------	----------	-------------	-------------------

Parts Index

Parts Index

Part No.	Description	Page and Index No.
G060 1009	PCU Guide Rail - C/M/Y	51- 3
G060 1026	Drum Holder	55- 1
G060 1041	Imaging Unit Duct	13- 17
G060 1053	Drawer Bracket - Paper Feed Table	57- 13
G060 1066	Upper Vertical Frame	49- 7
G060 1068	Left Guide Plate - Imaging Uni	65- 3
G060 1070	Right Guide Plate - Imaging Unit	65- 8
G060 1072	PCU Guide Rail	51- 1
G060 1074	Upper Registration Stay	51- 15
G060 1076	Left Guide - Development Unit	51- 14
G060 1078	Guide Rail - Fusing Unit	47- 26
G060 1079	Holder - Used Collection Bottle	67- 1
G060 1081	Shielding Plate - Paper Feed	67- 6
G060 1083	Rear Left Channel	57- 14
G060 1085	Rear Right Channel	57- 9
G060 1087	Rack Holder	57- 1
G060 1089	Front Left Supporting Plate	67- 4
G060 1091	Rear Fusing Blacket	47- 5
G060 1094	Holder - Toner Supply Unit	31- 18
G060 1095	Vertical Transport Hinge	67- 11
G060 1100	Drive Unit - K Development	53- 4
G060 1106	Registration Tightner	57- 3
G060 1111	Relay Bracket	57- 6
G060 1116	Joint - Development Unit	53- 8
G060 1117	Magnetic Clutch Holder	53- 5
G060 1120	Drive Unit - C/M/Y Development	53- 2
G060 1153	Guide Plate - K Drum	53- 22
G060 1154	Bracket - Drum Drive	53- 9
G060 1159	Shielding Plate - Drum Gear	53- 11
G060 1169	Separation Plate - Paper Feed Drive	59- 17
G060 1170	Paper Feed Motor Unit - DC4.42W	59- 14
G060 1171	Bracket - Paper Feed Drive	59- 21
G060 1172	Tightener - Paper Feed 1	59- 8
G060 1174	Tightener - Paper Feed	59- 29
G060 1176	Bracket - Magnetic Clutch 1	59- 22

Part No.	Description	Page and Index No.
G060 1177	Bracket - Magnetic Clutch 2	59- 20
G060 1182	Duct - Fan	61- 6
G060 1184	Film - PCU Guide Rail	51- 2
G060 1189	Upper PSU Duct	61- 3
G060 1192	Right Upper Rear Guide	61- 2
G060 1193	Duct - DC Motor Guard	61- 5
G060 1194	Cover - Fan Duct	63- 11
G060 1196	Upper Guide Rail	33- 13
G060 1198	PCU Duct	33- 14
G060 1199	Inner PCU Duct	53- 1
G060 1205	Right Inner Cover	11- 9
G060 1208	Left Inner Cover	11- 8
G060 1220	Lower Left Cover	9- 13
G060 1224	Inner Cover - Manual Feed	9- 24
G060 1262	Front Cover	9- 6
G060 1265	Right Upper Cover	9- 22
G060 1266	Front Cover - Right Lower	11- 19
G060 1267	Right Rear Cover	11- 17
G060 1268	Rear Cover	9- 19
G060 1269	Left Rear Cover	11- 6
G060 1271	Front Cover - Left Lower	11- 1
G060 1272	Upper Rear Cover	9- 18
G060 1274	Upper Exit Cover	11- 11
G060 1275	Upper Cover - Exit Tray	11- 13
G060 1277	Bracket - Front Cover Hinge	67- 5
G060 1277	Bracket - Front Cover Hinge	29- 3
G060 1278	Film - Upper Cover	11- 32
G060 1279	Exit Cover	11- 12
G060 1280	Supporting Plate - Right Rear Cover	11- 14
G060 1281	Louver - Left Rear Cover	11- 7
G060 1283	Upper Inner Cover	9- 9
G060 1285	Lower Inner Cover	11- 25
G060 1287	Front Right Cover	11- 18
G060 1288	Large Cover - Option	9- 17
G060 1289	Small Cover - Option	9- 14

Part No.	Description	Page and Index No.
G060 1291	Cover Duct Mylar Film	9- 29
G060 1292	Sheet - Jam Removal	9- 3
G060 1293	Exit End Fence	9- 23
G060 1300	Filter Case	11- 3
G060 1312	Front Stopper Pawl	9- 27
G060 1313	Rear Stopper Pawl	9- 21
G060 1314	Stopper Pawl Shaft	9- 10
G060 1315	Grip - Right Upper Cover	9- 28
G060 1316	Spring - Stopper Pawl	9- 25
G060 1317	Tube - 6x20	9- 26
G060 1460	Transfer Drive Shaft	53- 15
G060 1490	Seal - Operation Panel	9- 31
G060 1555	Upper Controller Duct	61- 7
G060 1556	Lower Controller Duct	61- 9
G060 1855	Imaging Unit	13- 1
G060 1901	Positioning Pin	13- 7
G060 1906	Cover Seal - 1	13- 4
G060 1907	Cover Seal - 2	13- 3
G060 1908	Thermistor Plate	13- 10
G060 1975	Lower Cover	13- 11
G060 1995	Cleaner - Dust Proof Glass	9- 2
G060 2215	PCU - CMY	35- 1
G060 2451	Drum Stay	11- 27
G060 2455	Cover - Drum Stay	11- 30
G060 2456	Spring Plate- Unit Detection Switch	11- 31
G060 2457	Unit Detection Switch	11- 28
G060 2460	Screw - M4X6	11- 23
G060 2461	Nut - M7	11- 24
G060 2481	Left Spring - Drum Stay	11- 21
G060 2482	Right Spring - Drum Stay	11- 20
G060 2529	Vertical Transport Unit	27- *
G060 2529	Vertical Transport Unit	25- *
G060 2602	Spring - Registration	23- 6
G060 2604	Sheet - Registration Guide	29- 27
G060 2606	Guide Plate - Lower Registration	29- 8

Part No.	Description	Page and Index No.
G060 2607	Registration Guide	29- 9
G060 2609	Bracket - Registration Sensor	29- 12
G060 2612	Guide Plate - Upper Registration	23- 13
G060 2614	Guide Plate - Middle Registration	23- 15
G060 2615	Guide - Lower Registration	23- 16
G060 2616	Guide - Upper Registration	23- 14
G060 2617	Middle Guide Plate	29- 24
G060 2619	Lower Middle Guide Plate	29- 25
G060 2620	Entrance Middle Guide	29- 26
G060 2622	Duplex Guide Plate - Lower Exit	29- 18
G060 2623	Duplex Guide Plate - Upper Exit	29- 14
G060 2626	Transport Drive Roller - Middle	29- 23
G060 2627	Transport Drive Roller	29- 13
G060 2629	Vertical Transport Guide	21- 34
G060 2631	Bracket - Paper Feed Sensor	29- 17
G060 2642	Guide Plate - Vertical Transport	23- 23
G060 2650	Front Bushing - M6	23- 7
G060 2651	Rear Bushing - M6	23- 18
G060 2652	Bushing - M4	23- 27
G060 2652	Bushing - M4	29- 19
G060 2660	Front Side Plate - Paper Feed	23- 5
G060 2665	Rear Side Plate - Paper Feed	23- 17
G060 2667	Vertical Transport Hinge	23- 19
G060 2668	Cover - Lower Vertical Transport	23- 21
G060 2669	Cover - Upper Registration	23- 9
G060 2670	Lever - Vertical Transport	23- 1
G060 2671	Hook - Upper Vertical Transport	23- 8
G060 2672	Hook - Lower Vertical Transport	23- 3
G060 2673	Grip Shaft	23- 2
G060 2674	Torsion Spring - Vertical Transport	23- 4
G060 2678	Front Registration Bushing - M8	29- 4
G060 2679	Rear Registration Bushing - M8	29- 7
G060 2680	Bracket - Micro Switch	23- 11
G060 2681	Knob - Vertical Transport	29- 22
G060 2685	Registration Drive Roller	29- 5

Part No.	Description	Page and Index No.
G060 2686	Registration Driven Roller	23- 12
G060 2689	Shaft - Separation Driven	21- 31
G060 2689	Shaft - Separation Driven	19- 24
G060 2700	Paper Feed Unit 1	19- 1
G060 2716	Feed Stay	19- 2
G060 2730	Guide Plate	21- 35
G060 2750	Paper Feed Unit 2	21- 1
G060 2765	Paper Feed Bracket	59- 12
G060 2769	Paper Tray 1	15- 1
G060 2771	Paper Tray 2	17- 1
G060 2774	Lift Shaft	15- 11
G060 2774	Lift Shaft	17- 15
G060 2775	Spring Plate - Paper Tray	15- 8
G060 2775	Spring Plate - Paper Tray	17- 12
G060 2776	Right Supporter	67- 7
G060 2777	Front Side Fence	15- 3
G060 2778	Rear Side Fence	15- 9
G060 2779	Left Supporter	67- 3
G060 2781	Front Side Fence - Universal	17- 6
G060 2782	Rear Side Fence - Universal	17- 13
G060 2796	Link - Paper Size Sensor Board	17- 3
G060 2797	Paper Size Sensor Board	17- 11
G060 2798	Cover - Paper Size Sensor	17- 4
G060 2800	DC Motor - DC24V 0.5W	57- 10
G060 2801	Holder - Paper Tray	57- 8
G060 2806	Tension Spring - Paper Size Sensor Board	17- 2
G060 2830	Upper Positioning Plate	67- 10
G060 2834	Lower Positioning Plate	67- 9
G060 2856	Manual Feed Table Ass'y	25- 7
G060 2865	Cover - Manual Feed Table	25- 12
G060 2866	Front Side Fence	25- 8
G060 2867	Rear Side Fence	25- 9
G060 2869	Paper Size Sensor	25- 16
G060 2871	Separation Driven Shaft	27- 26
G060 2874	Guide Plate - Separator	27- 22

Part No.	Description	Page and Index No.
G060 2876	Shaft - Separation Drive	27- 28
G060 2900	Torque Limiter - 40MN MM8	21- 32
G060 2900	Torque Limiter - 40MN MM8	19- 26
G060 2900	Torque Limiter - 40MN M MM18	27- 24
G060 2905	Paper Guide - Manual Feed Tabl	25- 11
G060 2914	Stopper Plate	27- 6
G060 2930	Housing Cover	27- 1
G060 2931	Feeler - Paper End	27- 19
G060 2932	Pick-up Arm - Manual Feed	27- 10
G060 2937	DC Solenoid - Pick-up	27- 11
G060 2940	Cover - Lower Manual Feed	25- 1
G060 2948	Grounding Plate - Reverse	27- 20
G060 2949	Magnetic Clutch Cover	11- 16
G060 2950	Spring Plate - Clutch Cover	11- 15
G060 2952	Torsion Spring - Right	25- 4
G060 2953	Torsion Spring - Left	25- 2
G060 2972	Safety Switch Feeler	51- 16
G060 2973	Front Shaft - Manual Feed Table	25- 5
G060 2974	Rear Shaft - Manual Feed Table	25- 6
G060 2982	Feed Guide	27- 30
G060 2989	Screw Driver	9- 1
G060 3011	Development Unit - C	35- 3
G060 3012	Development Unit - M	35- 4
G060 3013	Development Unit - Y	35- 2
G060 3201	Toner Cartridge Holder - Color	31- 1
G060 3202	Toner Cartridge Holder - BK	33- 1
G060 3211	Tube - Valve K	33- 2
G060 3211	Tube - Valve K	31- 2
G060 3216	Toner Nozzle	31- 10
G060 3216	Toner Nozzle	33- 9
G060 3219	Toner Cartridge Holder	31- 19
G060 3219	Toner Cartridge Holder	33- 11
G060 3232	Base - Toner Cartridge Stopper	31- 20
G060 3232	Base - Toner Cartridge Stopper	33- 12
G060 3236	Tube - K Toner Supply	33- 3

Part No.	Description	Page and Index No.
G060 3237	Tube - Y Toner Supply	31- 13
G060 3238	Tube - C Toner Supply	31- 12
G060 3239	Tube - M Toner Supply	31- 11
G060 3240	Valve	31- 4
G060 3288	Dual Faces Ttype Y - Short	51- 23
G060 3289	Dual Faces Ttype Y - Long	51- 22
G060 3290	Dual Faces Ttype C	51- 24
G060 3301	Air Pump - Toner Supply	31- 5
G060 3318	Shielding Plate - K Development	33- 16
G060 3319	Shielding Plate - C Development	33- 20
G060 3320	Shielding Plate - M Development	33- 22
G060 3321	Shielding Plate - Y Development	33- 18
G060 3334	Toner Cartridge Holder	33- 23
G060 3350	Pump - K Toner Supply Unit	51- 10
G060 3352	Pump - M Toner Supply Unit	51- 13
G060 3353	Pump - C Toner Supply Unit	51- 12
G060 3354	Pump - Y Toner Supply Unit	51- 11
G060 3371	Case - K	51- 8
G060 3372	Tube - K	51- 4
G060 3384	Case - Y	51- 6
G060 3385	Cover - Y	51- 17
G060 3386	Case - C	51- 7
G060 3387	Cover - C	51- 18
G060 3388	Case - M	51- 9
G060 3389	Cover - M	51- 19
G060 3603	Guide - Collection Bottle	51- 5
G060 3610	Joint - Collection Bottle	55- 9
G060 3621	Collection Bottle Bracket	65- 5
G060 3626	Used Toner Sensor Spring	67- 16
G060 3627	Toner Bottle Sensor Feeler	67- 17
G060 3650	Left Slide Rail	65- 2
G060 3661	Right Slide Rail	65- 7
G060 3668	Transfer Exit Insulate Sheet	39- 32
G060 3669	Dual Faces Tepe - Insulation Sheet	39- 33
G060 3671	Back Up Roller - Transfer	43- 17

Part No.	Description	Page and Index No.
G060 3671	Back Up Roller - Transfer	41- 13
G060 3674	Release Lever Stopper	37- 20
G060 3675	Rear Cleaning Blade Bushing	37- 3
G060 3676	Cleaning Blade Pressure Spring	37- 23
G060 3802	Transfer Unit	37- 19
G060 3815	Transfer Cleaning Unit	37- 1
G060 3817	Casing Cover - Transfer Cleaning	37- 25
G060 3850	Transfer Belt	39- 12
G060 3851	Left Frame	41- 12
G060 3852	Bushing - Back-up	41- 11
G060 3852	Bushing - Back-up	43- 1
G060 3853	Tension Spring - Left Frame	41- 8
G060 3855	Compression Spring - Back-up	43- 3
G060 3860	Electrode Plate - Transfer Brush K	41- 9
G060 3861	Right Frame	43- 6
G060 3864	Ground Plate - Transfer K	41- 14
G060 3865	Back-up Roller	43- 4
G060 3866	Drive Roller	39- 7
G060 3869	Ground Plate	43- 11
G060 3870	Electrode Plate - Transfer Brush Y1	43- 8
G060 3871	Electrode Plate - Transfer Brush M	43- 7
G060 3872	Electrode Plate - Transfer Brush Y2	43- 14
G060 3873	Ground Plate - Back-up Roller	43- 13
G060 3875	Spring Plate - Left	39- 3
G060 3876	Spring Plate - Right	39- 31
G060 3877	Stay	41- 2
G060 3883	Roller	39- 8
G060 3885	Left Stay	39- 9
G060 3890	Bracket - Front Driven	39- 28
G060 3893	Stay - ON-OFF	39- 11
G060 3894	Cam - Front	39- 10
G060 3895	Spacer - Joint	39- 4
G060 3896	Joint - Front	39- 29
G060 3897	Bracket - Rear Driven	39- 17
G060 3899	Gear - ON-OFF	39- 20

Part No.	Description	Page and Index No.
G060 3900	Driven Roller	39- 23
G060 3901	Collar - Driven	39- 22
G060 3903	Compression Spring - Driven	39- 21
G060 3906	Right Bracket	39- 25
G060 3907	Registration Guide Plate	39- 16
G060 3908	Upper Registration Guide	39- 24
G060 3909	Compression Spring - Front	37- 17
G060 3910	Bias Roller	39- 13
G060 3912	Spring Plate - Bias Roller	39- 27
G060 3914	Cover - Bias Roller	39- 15
G060 3915	Left Bracket	39- 2
G060 3919	Spacer - Gear	39- 19
G060 3923	Release Lever	37- 15
G060 3924	Compression Spring - Back Up 3N	41- 10
G060 3924	Compression Spring - Back Up 3N	43- 2
G060 3925	Exit Guide Plate - Transfer	39- 6
G060 3928	Shaft - Release	41- 3
G060 3930	Transfer Brush	43- 5
G060 3930	Transfer Brush	41- 15
G060 3940	Bracket - Tightener	41- 19
G060 3942	Tension Spring - Tightener	41- 21
G060 3944	Gear - Transfer Belt Drive	41- 18
G060 3945	Timing Belt - Transfer Belt Drive	41- 17
G060 3949	Spring Plate - Left Stay	39- 35
G060 3950	Feeler - On-Off	41- 1
G060 3951	Toner Collection Coil	37- 27
G060 3955	Front Spring Plate - Transfer	43- 12
G060 3956	Rear Spring Plate - Transfer	43- 9
G060 3957	Grounding Plate - PP	43- 10
G060 3958	Spring Plate - Right Bracket	39- 30
G060 3961	Lower Blade Seal - 340x11	37- 8
G060 3962	Blade Side Seal - 3.5x22.5x3	37- 22
G060 3965	Transfer Cleaning Blade	37- 2
G060 3968	Front Bushing - Cleaning Blade	37- 14
G060 3970	Pressure Spring - Cleaning Blade	37- 13

Part No.	Description	Page and Index No.
G060 3971	Transfer Cleaning Roller	37- 6
G060 3972	Spring Plate - Cleaning Bias	37- 11
G060 3973	Front Gear - Cleaning Roller	37- 12
G060 3974	Rear Gear - Cleaning Roller	37- 4
G060 3976	Seal - Transport Screw	37- 26
G060 3976	Seal - Transport Screw	37- 21
G060 3976	Seal - Transport Screw	37- 7
G060 3977	Gear - Transport Screw	37- 9
G060 3978	Idle Gear	37- 10
G060 3981	Cleaning Roller	41- 4
G060 3984	Bracket - Cleaning	41- 6
G060 3985	Drum Stay	37- 16
G060 3988	Bushing - Cleaning	41- 5
G060 3990	DC Motor - 1.56W	55- 8
G060 3997	Tension Spring - On-off	41- 20
G060 3998	Seal - Sensor	67- 14
G060 3999	Upper Cleaning Seal - 16x348	37- 24
G060 4057	Roller Guide Holder	49- 4
G060 4058	Guide Shaft	49- 1
G060 4150	Bracket - Unit Reset Sensor	49- 6
G060 4330	DC Solenoid - On-Off	49- 23
G060 4335	Heat Sink - DC Solenoid Apply	49- 35
G060 4410	Paper Exit Unit	45- 32
G060 4427	Lower Exit Guide Plate	49- 13
G060 4428	Drinev Roller - M13	49- 36
G060 4429	Compression Spring - Exit Driven 1N	45- 31
G060 4430	Exit Cover	45- 1
G060 4432	Rear Side Plate - Exit	45- 12
G060 4433	Front Side Plate - Exit	45- 29
G060 4434	Pulley - 27T	45- 15
G060 4435	Bushing - M4	45- 5
G060 4436	Compression Spring - Exit Driven	45- 4
G060 4437	Exit Guide Plate	45- 11
G060 4438	Pulley - 24T	45- 17
G060 4439	Timing Belt - S2M180	45- 14

Part No.	Description	Page and Index No.
G060 4440	Guide Plate - Lower Entrance Exit	45- 18
G060 4441	Link - Exit Gate Pawl	45- 20
G060 4442	Exit Gate Pawl	45- 19
G060 4446	Upper Guide Plate - Fusing Exit	45- 27
G060 4447	Driven Roller - M16	49- 24
G060 4447	Driven Roller - M16	45- 28
G060 4449	Bushing - M4	45- 24
G060 4451	Upper Exit Guide Plate	49- 21
G060 4454	Driven Roller - M13	49- 9
G060 4456	Gear - Z25/T30	49- 29
G060 4457	Bracket - Exit Roller	49- 11
G060 4458	Gear - 16Z	49- 30
G060 4459	Gate Pawl	49- 16
G060 4460	Lever - Gate Pawl	49- 14
G060 4461	Tension Spring - Gate Pawl	49- 15
G060 4462	Gear - Z18/T27	49- 33
G060 4463	Timing Belt - S2M176	49- 28
G060 4464	Bracket - Gear	49- 32
G060 4467	Roller Holder	49- 8
G060 4468	Entrance Guide - Paper Exit Unit	45- 21
G060 4470	DC Solenoid - Gate Pawl	47- 1
G060 4474	Magnet Catch	45- 26
G060 4477	Cover - Duplex Lock	45- 34
G060 4481	Bracket - Paper Sensor	49- 20
G060 4482	Feeler - Paper Sensor	49- 17
G060 4483	Shaft - Paper Sensor	49- 18
G060 4488	Upper Exit Guide	45- 9
G060 4489	Compression Spring - 0.46N	45- 35
G060 4490	Exit Tray	9- 30
G060 4494	Exit Stay	45- 7
G060 4496	Support Plate - Discharge Brush	45- 36
G060 4820	Relay Guide Plate	65- 1
G060 4850	Stopper Shaft Bracket	49- 31
G060 4855	Link Bracket	55- 2
G060 4860	Duplex Left Bracket	65- 9

Part No.	Description	Page and Index No.
G060 4865	Duplex Right Bracket	57- 12
G060 5061	J-BCU Board	83- *
G060 5061	J-BCU Board	63- 18
G060 5322	Sync Detector Board	13- 8
G060 5355	IC - S-GATEX	83- 2
G060 5420	ID Sensor	39- 1
G060 5450	Harness - Lower Main	63- 19
G060 5451	Harness - Middle Main	63- 15
G060 5452	Harness - Left Main	63- 17
G060 5453	Harness - Fusing DC	63- 16
G060 5454	Harness - PSU	63- 9
G060 5472	Harness - Transfer Unit 1	41- 22
G060 5473	Imaging Unit Harness	13- 18
G060 5480	Harness - Registration Sensor	29- 10
G060 5481	Harness - Manual Feed Unit	27- 12
G060 5482	Harness - Paper Feed Unit Sensor 1	29- 16
G060 5483	Harness - Paper Feed Unit	19- 12
G060 5483	Harness - Paper Feed Unit	21- 13
G060 5484	Harness - Operation Panel	9- 11
G060 5487	Harness - On-Off Sensor Right	67- 12
G060 5488	Harness - Transfer Unit 2	41- 7
G060 5489	Harness - Unit Detection Switch	11- 29
G060 5491	Harness - On-Off Sensor Left	67- 15
G060 5492	Harness - ID	33- 10
G060 5493	Harness - Bottle Set Sensor	65- 12
G060 5494	Synchronization Detector Harness	13- 19
G060 5500	Harness - Development Motor K	63- 10
G060 5501	Harness - Transport/Safety Switch	23- 10
G060 5504	Harness - Oil Unit Detction Sensor	49- 34
G060 5506	Sensor Harness - Paper Feed Unit	23- 25
G060 5510	Harness - Power Pack CB	61- 10
G060 5511	Harness - High Voltage Line T-K	41- 16
G060 5512	Harness - High Voltage Line T-Y	43- 15
G060 5513	Harness - Fusing AC	61- 19
G060 5513	Harness - Fusing AC	47- 4

Part No.	Description	Page and Index No.
G060 5516	Harness - AC Switch	61- 20
G060 5519	Harness - Heater	67- 22
G060 5520	Harness - FFC M	13- 15
G060 5521	Harness - FFC C	13- 16
G060 5522	Harness - FFC Y	13- 13
G060 5523	Harness - FFC K	13- 14
G060 5530	Harness - Density Sensor	55- 4
G060 5550	IC Socket - IC197-4807-2000	83- 3
G060 5589	Socket - Oil Unit Detecion Sensor	49- 5
G060 5599	Toner Cartridge Stopper	31- 17
G060 5599	Toner Cartridge Stopper	33- 4
G060 5740	Controller Board	63- 3
G060 5740	Controller Board	71- *
G060 5785	IC-ASIC COMIC	71- 1
G060 5795	IC - RL5C60Z	83- 4
G060 5801	Bracket - Door Switch Lever	47- 19
G060 5804	Lever - Door Switch	47- 21
G060 5808	Arm - Safety Switch	47- 20
G060 5813	Bracket - Main Switch	11- 2
G060 5816	Bracket - Power Pack	61- 12
G060 5820	Guide Plate - Upper Rack	61- 1
G060 5821	Guide Plate - Left Upper Rack	47- 2
G060 5822	Bracket - Safety Switch	47- 17
G060 5823	Bracket - Door Switch	47- 18
G060 5829	Upper Spring Plate - Rack	63- 20
G060 5841	Application Rack Ass'y	63- 12
G060 5847	Rack - Inner Back Application	63- 2
G060 5848	Bracket - Harness	63- 13
G060 5849	Left Rear Cover	63- 14
G060 5852	Panel - Control Board	63- 7
G060 5853	Grip - Application	63- 5
G060 5854	Panel Cover - Option	63- 6
G060 5856	Bracket - Controller Board	63- 8
G060 5861	Inner Back Lever - Door Switch	61- 16
G060 5862	Cap - PSU	61- 13

Part No.	Description	Page and Index No.
G060 5863	Bracket - PSU Fan	61- 21
G060 5866	PSU Cover	61- 14
G060 5870	Clamp - M4.8	55- 10
G060 5870	Clamp - M4.8	57- 11
G060 5871	Clamp - M3.5	55- 7
G060 5898	FCC Harness Cushion	65- 10
G060 5899	FFC Harness Plate	65- 11
G060 5980	Heat Sink	71- 2
G060 5982	Heat Sink - PUG16	71- 3
G060 6011	Slide Rail	47- 24
G060 6021	Holder - Fusing Unit	47- 25
G060 6031	Bracket - Rear Lever	47- 10
G060 6032	Bracket - Front Lever	47- 15
G060 6033	Rear Holder Arm	47- 7
G060 6035	Detent Roller	47- 8
G060 6036	Arm Shaft	47- 16
G060 6037	Detent Shaft	47- 9
G060 6038	Detent Spring	47- 6
G060 6039	Grip - Cover	47- 13
G060 6040	Cover - Fusing Unit Holder	47- 11
G060 6041	Bracket - Fusing Drawer	47- 14
G060 6043	Stepper Motor - DC4.65W	53- 20
G060 6044	C/M/Y Stepper Motor - DC4.95W	53- 16
G060 6045	Front Bracket - Option	47- 22
G060 6046	Rear Bracket - Option	47- 3
G060 6120	ROM DIMM - PDL	63- 1
G060 7005	Decal - Emblem (RIC)	85- 2
G060 7005	Decal - Emblem (RIC)	9- 5
G060 7011	Operation Panel - LT	9- 12
G060 7111	Operation Panel - A4	9- 12
G060 7405	Decal - Emblem (RIC AP828)	9- 5
G060 7405	Decal - Emblem (RIC AP828)	85- 2
G060 7505	Decal - Emblem (SVN)	9- 5
G060 7505	Decal - Emblem (SVN)	85- 2
G060 7506	Decal - Emblem (GES NA)	9- 5

Part No.	Description	Page and Index No.
G060 7506	Decal - Emblem (GES NA)	85- 2
G060 7605	Decal - Emblem (NSA)	9- 5
G060 7605	Decal - Emblem (NSA)	85- 2
G060 7606	Decal - Emblem (REX)	9- 5
G060 7606	Decal - Emblem (REX)	85- 2
G060 7607	Decal - Emblem (GES EU)	85- 2
G060 7607	Decal - Emblem (GES EU)	9- 5
G060 7705	Decal - Emblem (INF)	9- 5
G060 7705	Decal - Emblem (INF)	85- 2
G060 7805	Decal - Emblem (LAN)	85- 2
G060 7805	Decal - Emblem (LAN)	9- 5
G060 9099	Total Counter - RAM-STK12C68-P55	71- *

Part No.	Description	Page and Index No.
AA00 0217	Decal - LD 655	13- 5
AA00 0218	Caution Decal	13- 2
AA00 0401	Decal - High Temperature	67- 18
AA04 3561	Timing Belt - 40S3M318	59- 3
AA04 3562	Timing Belt - 40S3M384	59- 24
AA04 3563	Timing Belt - 40S3M162	59- 19
AA04 3925	Timing Belt - S2M668	59- 7
AA04 3928	Timing Belt - 40S2M334	55- 5
AA06 0691	Tension Spring	19- 10
AA06 0691	Tension Spring	21- 10
AA06 0692	Tension Spring	19- 30
AA06 0692	Tension Spring	21- 37
AA06 0693	Tension Spring	19- 28
AA06 0693	Tension Spring	21- 24
AA06 0862	Tension Spring	57- 2
AA06 0863	Tension Spring	59- 9
AA06 3347	Spring - 8n	23- 20
AA06 3347	Spring - 8n	29- 21
AA06 3499	Pressure Spring	27- 25
AA06 3568	Pressure Spring	27- 9
AA06 3613	Compression Spring	61- 15
AA06 3622	Compression Spring	53- 17
AA06 3626	Compression Spring - 4.9N	31- 9
AA06 3626	Compression Spring - 4.9N	33- 8
AA06 3627	Coil - Tube Fuard	31- 3
AA06 3627	Coil - Tube Guard	33- 6
AA06 3638	Compression Spring	61- 17
AA06 6344	Rear Torsion Spring	41- 23
AA06 6345	Front Torsion Spring	41- 24
AA08 0257	Bushing - M6	53- 3
AA08 2101	Bushing - 6x10x6	19- 8
AA08 2101	Bushing - 6x10x6	37- 5
AA08 2101	Bushing - 6x10x6	53- 6
AA08 2101	Bushing - 6x10x6	27- 4
AA08 2101	Bushing - 6x10x6	49- 10

Part No.	Description	Page and Index No.
AA08 2101	Bushing - 6x10x6	45- 13
AA08 2101	Bushing - 6x10x6	29- 2
AA08 2101	Bushing - 6x10x6	21- 8
AA08 2101	Bushing - 6x10x6	9- 16
AA08 2102	Bushing - 6x10x6	19- 15
AA08 2102	Bushing - 6x10x6	59- 25
AA08 2102	Bushing - 6x10x6	49- 22
AA08 2102	Bushing - 6x10x6	21- 17
AA08 2103	Bushing - Transfer Driven	39- 18
AA08 2104	Bushing - 8x12x7	29- 1
AA08 2104	Bushing - 8x12x7	21- 16
AA08 2115	Bushing 5x10x5	39- 34
AA08 3017	Roller Clutch - 6x14x10	19- 13
AA08 3017	Roller Clutch - 6x14x10	21- 14
AA08 3018	Roller Clutch - 6x14x10	27- 16
AA10 0014	Retaining Ring C - Separate	19- 5
AA10 0014	Retaining Ring C - Separate	21- 4
AA10 0014	Retaining Ring C - Separate	27- 2
AA12 0102	Discharge Brush - Exit	45- 3
AA12 0102	Discharge Brush - Exit	49- 26
AA13 2211	Spacer - 8x0.5	53- 18
AA14 0655	Shaft - Paper Feed	21- 15
AA14 0655	Shaft - Paper Feed	19- 14
AA14 0656	Shaft - Gear	19- 17
AA14 0656	Shaft - Gear	21- 21
AA14 0730	Feed Shaft	27- 5
AA14 3219	Stepped Screw	11- 10
AA14 3716	Stepped Screw	49- 3
AA14 3716	Stepped Screw	45- 30
AA15 3459	Seal - Case	51- 27
AA15 3461	Holder Seal	33- 7
AA15 3461	Holder Seal	31- 8
AA15 3462	Seal - C/Y	51- 25
AA15 3463	Seal - Case M/Y	51- 26
AA15 3464	Seal - Cover M/Y	51- 21

Part No.	Description	Page and Index No.
AA15 3471	Short Shield - CY	51- 20
AA16 1149	Motor Cushion	59- 16
AB01 0106	Gear - 24Z	21- 25
AB01 0106	Gear - 24Z	19- 20
AB01 0107	Gear - 23Z	21- 22
AB01 0107	Gear - 23Z	19- 21
AB01 0110	Gear - Z63	53- 12
AB01 0111	Gear - Z60	53- 13
AB01 0113	Gear - Z180	53- 10
AB01 0114	Gear - Bias Roller	39- 14
AB01 0115	Gear - Drivben Roller	39- 26
AB01 1188	Gear - 21Z	21- 7
AB01 1188	Gear - 21Z	19- 4
AB01 1212	Gear - Z32/Z24	53- 14
AB01 1215	Gear - Z21	53- 23
AB01 1218	Gear - Roller Clutch	21- 6
AB01 1218	Gear - Roller Clutch	19- 7
AB01 1231	Gear - Z18	53- 24
AB01 1387	Gear - 23Z	27- 7
AB01 1417	Gear - Separation Driven	27- 27
AB01 1418	Gear - 27Z	27- 14
AB01 2025	Gear & Pulley - 17Z/27Z	45- 16
AB01 2310	Gear - Z19	59- 11
AB01 3868	Gear - 16Z	17- 17
AB01 4037	Gear - 24Z	59- 27
AB01 4038	Gear - 22Z	59- 28
AB01 7525	Gear - Z63/T28	53- 19
AB01 7540	Gear - Z28/Z29	59- 31
AB01 7542	Gear - 15Z/30T	59- 18
AB01 7543	Gear - Z25/T26	59- 6
AB01 7544	Gear - Z25/T20	59- 15
AB01 7545	Gear - Z28/Z21	59- 13
AB01 7546	Gear - Z28/T35	59- 4
AB01 7597	Gear - 13Z	59- 10
AB03 0685	Idle Pulley - M15	57- 7

Part No.	Description	Page and Index No.
AB03 0686	Registration Timing Pulley	57- 5
AB03 0690	Timing Pulley - T20	59- 5
AB03 0710	Timing Pulley - 20T	59- 23
AC01 5035	Shield Glass	13- 12
AF01 1046	Tray Bottom Plate	15- 5
AF01 1046	Tray Bottom Plate	17- 8
AF01 3014	Bottom Plate Pad	17- 9
AF01 3014	Bottom Plate Pad	15- 6
AF01 3016	Bottom Plate Pad	27- 21
AF01 7023	End Fence	15- 4
AF01 7024	End Fence - Universal	17- 7
AF02 0404	Transport Roller	21- 11
AF02 2135	Driven Roller - M3x16	23- 26
AF02 2135	Driven Roller - M3x16	29- 20
AF02 2136	Driven Roller - 2xMM16	23- 22
AF03 0045	Pick-up Roller	19- 3
AF03 0045	Pick-up Roller	21- 3
AF03 0045	Pick-up Roller	27- 8
AF03 1045	Feed Roller	21- 5
AF03 1045	Feed Roller	19- 6
AF03 1046	Feed Roller - Manual Feed	27- 3
AF03 2045	Separation Roller	19- 25
AF03 2045	Separation Roller	21- 33
AF03 2046	Separation Roller - Manual Feed	27- 23
AF04 0577	Exit Roller - FD	49- 12
AF04 0578	Exit Roller - FU	45- 8
AF04 0579	Transport Roller - Fusing Exit	45- 22
AF04 0582	Vertical Transport Roller - Exit	45- 10
AF04 0583	Exit Transport Roller	49- 25
AF04 0584	Driven Roller - Fusing Exit	45- 23
AF04 0585	Driven Roller - Relay	45- 25
AF04 0586	Driven Roller	45- 6
AG07 1011	Magnet Catch	11- 26
AW01 0048	Photosensor - GP2A28N1	29- 11
AW02 0069	Photointerruptor	23- 24

Part No.	Description	Page and Index No.
AW02 0096	Photointerruptor	29- 15
AW02 0120	Photointerruptor - Flat	27- 17
AW02 0120	Photointerruptor - Flat	59- 30
AW02 0120	Photointerruptor - Flat	67- 13
AW02 0120	Photointerruptor - Flat	21- 12
AW02 0120	Photointerruptor - Flat	19- 11
AW02 0120	Photointerruptor - Flat	47- 23
AW02 0120	Photointerruptor - Flat	49- 19
AW02 0121	Photointerruptor - Square	65- 4
AW02 0121	Photointerruptor - Square	49- 27
AW10 0065	Thermistor - 103AT-4	13- 9
AW14 0009	Humidity Sensor - RHU-232	31- 6
AW50 0023	Push Switch	55- 3
AW50 0023	Push Switch	57- 15
AW50 0023	Push Switch	31- 7
AW50 0025	Set Sensor - Collection Bottle	65- 6
AX06 0212	Polygon Mirror Motor - DC24W	13- 6
AX20 0134	Magnetic Clutch - 245MN.M	27- 15
AX20 0219	Magnetic Clutch - Development	53- 7
AX20 0220	Magnetic Clutch - Registration	59- 1
AX20 0221	Magnetic Clutch - Paper Feed	59- 26
AX40 0109	Heater - 120V 9W	67- 19
AX40 0110	Heater - 230V 9W	67- 19
AX64 0103	Fan Motor - DC2.4W	61- 4
AX64 0123	Fan Motor - DC1.68W	61- 8
C401 9503	20X Magnification Scope	87- 5
G011 3305	Gear - 16T	25- 13
G012 4617	Stepped Screw - M3	31- 21
G012 4617	Stepped Screw - M3	67- 2
G020 1332	Hinge - Front Cover	9- 4
G021 9350	Loopback Connector - Parallel	87- 4
G024 5115	Ground Harness - Operation Panel	9- 15
G034 2993	Flanged Hexagonal Head Bolt - M3x6	63- 4
GA00 1003	Decal - Grip B1	47- 12
GA00 1003	Decal - Grip B1	85- 3

Part No.	Description	Page and Index No.
GA00 1004	Decal - Grip B2	45- 2
GA00 1004	Decal - Grip B2	85- 4
GA00 3009	Sheet - Toner Supply	9- 20
GA00 3010	Decal - Manual Feed	25- 10
GA00 3010	Decal - Manual Feed	85- 5
GA00 3011	Decal - Paper Tray 1	15- 2
GA00 3011	Decal - Paper Tray 1	85- 6
GA00 3012	Decal - Paper Tray 2 Left	85- 7
GA00 3012	Decal - Paper Tray 2 Left	17- 5
GA00 3013	Decal - Paper Tray 2 Right	85- 8
GA00 3013	Decal - Paper Tray 2 Right	17- 14
GA00 3014	Decal - Paper Tray	85- 9
GA00 3014	Decal - Paper Tray	17- 18
GA00 3014	Decal - Paper Tray	15- 12
GA00 3016	Decal - Y Toner Supply	31- 14
GA00 3016	Decal - Y Toner Supply	85- 10
GA00 3017	Decal - M Toner Supply	31- 16
GA00 3017	Decal - M Toner Supply	85- 10
GA00 3018	Decal - C Toner Supply	31- 15
GA00 3018	Decal - C Toner Supply	85- 10
GA00 3019	Decal - K Toner Supply	33- 5
GA00 3019	Decal - K Toner Supply	85- 10
GA00 3025	Decal - Drum Stay	85- 11
GA00 3025	Decal - Drum Stay	11- 22
GA00 3029	Decal - Vertical Transport	85- 12
GA00 3029	Decal - Vertical Transport	25- 3
GA00 3029	Decal - Vertical Transport	47- 27
GA00 3029	Decal - Vertical Transport	27- 29
GA00 3030	Decal - Shielding Plate Y	33- 17
GA00 3030	Decal - Shielding Plate Y	85- 1
GA00 3031	Decal - Shielding Plate M	85- 1
GA00 3031	Decal - Shielding Plate M	33- 21
GA00 3032	Decal - Shielding Plate C	85- 1
GA00 3032	Decal - Shielding Plate C	33- 19
GA00 3033	Decal - Shielding Plate K	85- 1

Part No.	Description	Page and Index No.
GA00 3033	Decal - Shielding Plate K	33- 15
GA00 3037	Decal - Power Source	67- 21
GA01 2000	Upper Filter	11- 5
GA01 2001	Lower Filter	11- 4
GA16 2001	Sheet - Front Cover	9- 8
GZ23 0017	Power Supply Unit - 120V	61- 18
GZ23 0018	Power Supply Unit - 220V	61- 18
GZ32 0007	Power Pack - TPACL	43- 16
GZ32 0009	Power Pack - CB	61- 11

Part No.	Description	Page and Index No.
A134 2661	Feeler Roller	27- 18
A134 2947	Heater Cover	67- 20
A166 2849	Drive Support Plate	27- 13
A204 2972	Bottom Lift Lever	15- 10
A204 2972	Bottom Lift Lever	17- 16
A230 9351	Case - Flash Memory Card	87- 3
A230 9352	Flash Memory Card - 4MB	87- 2
A230 9352	Digital Multimeter - FLUKE87	87- 1
A232 2762	Paper End Feeler	21- 27
A232 2762	Paper End Feeler	19- 22
A232 2763	Pick-up Arm	19- 9
A232 2763	Pick-up Arm	21- 9
A232 2764	Rear Grounding Plate	19- 16
A232 2764	Rear Grounding Plate	21- 18
A232 2765	Front Grounding Plate	21- 30
A232 2766	Feed Mylar	21- 28
A232 2766	Feed Mylar	19- 23
A232 2770	Stay - Paper Separation	19- 27
A232 2770	Stay - Paper Separation	21- 29
A232 2774	Pressure Lever	21- 23
A232 2774	Pressure Lever	19- 29
A232 2775	Link Lever	19- 31
A232 2775	Link Lever	21- 26
A232 2776	Release Lever	21- 20
A232 2776	Release Lever	19- 19
A232 2780	Stay - Paper Feed	21- 2
A232 2782	Rear Feed Mylar	19- 32
A232 2782	Rear Feed Mylar	21- 36
A232 2987	Roller - Paper Tray	17- 10
A232 2987	Roller - Paper Tray	15- 7
A232 3553	Ball Bearing - 8x16x5	53- 21
A232 5355	IC - GATEX	83- 1
A232 6082	Front Rack	25- 15
A232 6083	Rear Rack	25- 14
A250 4280	Fusing Unit Screw	37- 18

Part No.	Description	Page and Index No.
A250 4280	Fusing Unit Screw	39- 5
A267 1264	Magnet Catch - Front Cover	9- 7
A267 3255	Paper Separation Guide	49- 2

Part No.	Description	Page and Index No.
5206 2686	Snap Ring	19- 18
5206 2686	Snap Ring	21- 19
5215 2621	Snap Ring - M6	29- 6
5215 2621	Snap Ring - M6	45- 33
5215 2621	Snap Ring - M6	59- 2
5216 4198	Stepped Screw - Guide Plate	55- 6
5447 2681	Snap Ring	55- 11
5447 2681	Snap Ring	57- 4
5447 2681	Snap Ring	67- 8

Part No.	Description	Page and Index No.
0313 0060B	Philips Pan Head Screw - M3x6	29-103
0314 0060B	Philips Pan Head Screw - M4X6	15-103
0314 0100B	Philips Pan Head Screw - M4x10	59-103
0353 0040B	Screw - M3X4	49-108
0353 0040B	Screw - M3X4	39-105
0353 0060B	Philips Pan Head Screw - M3x6	63-101
0353 0060Z	Screw - M3X6	63-102
0353 0100B	Screw - M3X10	45-104
0360 4006B	Hexagonal Head Screw - M4x6	67-104
0450 3006B	Tapping Screw - M3x6	29-102
0450 3006B	Tapping Screw - M3x6	49-102
0450 3008B	Tapping Screw - M3x8	39-101
0450 3008B	Tapping Screw - M3x8	27-103
0450 3008B	Tapping Screw - M3x8	41-102
0450 3008B	Tapping Screw - M3x8	23-102
0450 3008B	Tapping Screw - M3x8	37-101
0450 3008B	Tapping Screw - M3x8	31-103
0450 3008B	Tapping Screw - M3x8	43-101
0450 3008B	Tapping Screw - M3x8	45-101
0450 3008B	Tapping Screw - M3x8	33-101
0450 3008B	Tapping Screw - M3x8	9-101
0450 3008B	Tapping Screw - M3x8	11-103
0450 3008B	Tapping Screw - M3x8	49-103
0450 3008B	Tapping Screw - M3x8	17-101
0450 3008H	Tapping Screw M3x8	25-101
0450 4008B	Tapping Screw - 4x8	17-104
0450 4008B	Tapping Screw - 4x8	15-102
0450 4035B	Philips Tapping Screw - M4x35	61-109
0451 3005B	Tapping Screw - M3x5	53-102
0451 3005B	Tapping Screw - M3x5	47-105
0451 3006B	Tapping Screw - M3x6	57-101
0451 3006B	Tapping Screw - M3x6	65-101
0451 3006B	Tapping Screw - M3x6	63-103
0451 3006B	Tapping Screw - M3x6	31-101
0451 3006B	Tapping Screw - M3x6	59-101

Part No.	Description	Page and Index No.
0451 3006B	Tapping Screw - M3x6	33-104
0451 3006B	Tapping Screw - M3x6	21-104
0451 3006B	Tapping Screw - M3x6	9-104
0451 3006B	Tapping Screw - M3x6	67-101
0451 3006B	Tapping Screw - M3x6	55-102
0451 3006B	Tapping Screw - M3x6	29-101
0451 3006B	Tapping Screw - M3x6	61-101
0451 3006B	Tapping Screw - M3x6	37-102
0451 3006B	Tapping Screw - M3x6	27-102
0451 3006B	Tapping Screw - M3x6	11-105
0451 3006B	Tapping Screw - M3x6	25-102
0451 3006B	Tapping Screw - M3x6	39-102
0451 3006B	Tapping Screw - M3x6	53-101
0451 3006B	Tapping Screw - M3x6	51-101
0451 3006B	Tapping Screw - M3x6	41-107
0451 3006B	Tapping Screw - M3x6	49-105
0451 3006B	Tapping Screw - M3x6	23-101
0451 3006B	Tapping Screw - M3x6	19-103
0451 3006H	Tapping Screw - 3x6	55-111
0451 3008B	Tapping Screw - M3x8	55-101
0451 3008B	Tapping Screw - M3x8	31-106
0451 3008B	Tapping Screw - M3x8	45-105
0451 3008B	Tapping Screw - M3x8	53-103
0451 3008B	Tapping Screw - M3x8	51-102
0451 3008B	Tapping Screw - M3x8	33-103
0451 3008H	Tapping Screw - M3x8	47-103
0451 3008H	Tapping Screw - M3x8	27-101
0451 3008H	Tapping Screw - M3x8	9-102
0451 3008H	Tapping Screw - M3x8	11-101
0451 3010B	Tapping Screw - M3x10	49-107
0451 3010B	Tapping Screw - M3x10	13-103
0451 3010B	Tapping Screw - M3x10	65-102
0451 3014B	Tapping Screw - M3-14	23-104
0451 4006B	Tapping Screw - 4x6	17-103
0451 4008B	Philips Tapping Screw - M4x8	59-102

Part No.	Description	Page and Index No.
0452 3008B	Tapping Screw - M3x8	13-101
0452 3008B	Tapping Screw - M3x8	11-104
0452 3008B	Tapping Screw - M3x8	23-108
0452 3010B	Tapping Bind Screw - M3x10	13-102
0453 3006B	Tapping Screw - M3x6	47-106
0720 0030E	Retaining Ring - M3	41-101
0720 0030E	Retaining Ring - M3	45-103
0720 0030E	Retaining Ring - M3	47-101
0720 0040B	Retaining Ring - M4	29-106
0720 0040B	Retaining Ring - M4	23-103
0720 0040B	Retaining Ring - M4	21-103
0720 0040B	Retaining Ring - M4	19-102
0720 0040B	Retaining Ring - M4	27-104
0720 0040E	Retaining Ring - M4	59-104
0720 0040E	Retaining Ring - M4	49-104
0720 0040E	Retaining Ring - M4	45-102
0720 0040E	Retaining Ring - M4	9-103
0720 0040E	Retaining Ring - M4	39-103
0720 0040E	Retaining Ring - M4	37-103
0720 0060B	Retaining Ring - M6	21-102
0720 0060B	Retaining Ring - M6	29-107
0720 0060B	Retaining Ring - M6	17-102
0720 0060B	Retaining Ring - M6	15-101
0720 0060E	Retaining Ring - M6	47-102
0720 0060E	Retaining Ring - M6	39-104
0720 0060E	Retaining Ring - M6	41-106
0801 0150	Philips Screw - M4x8	61-105
0802 5276	Tapping Screw With Washer - M3x6	61-102
0802 5276	Tapping Screw With Washer - M3x6	57-102
0802 5276	Tapping Screw With Washer - M3x6	47-104
0802 5276	Tapping Screw With Washer - M3x6	67-102
0802 5286	Tapping Screw	61-108
0805 0088	Retaining Ring - M6	53-104
0805 0089	Retaining Ring - M4	19-101
0805 0089	Retaining Ring - M4	21-101

Part No.	Description	Page and Index No.
0805 3492	Bushing - 8x16x5	39-106
0951 4008B	Philips Screw With Washer - M4x8	53-105
0954 3008B	Philips Screw - M3x8	61-103
1101 0328	Connector Pin Contact	83-101
1102 2391	Connector - HIF3FB-40PA-2.54DSA	71-101
1102 5303	Connector - 4P	71-102
1102 6246	Relay Connector - 4P	61-110
1102 6299	Connector - 6P	83-102
1102 6300	Connector - 7P	83-103
1102 6301	Connector - 8P	83-104
1102 6303	Connector - 10P	83-105
1102 6304	Connector - 11P	83-106
1102 7149	Connector - 53375-1010	83-107
1102 7460	Connector - FH12-50S-0.5SH	83-108
1102 7785	Connector - 57RE40360830BD29B	71-103
1102 8153	Connector - FCN-568P068-G/05A-V4	71-104
1102 8355	Connector - Dimm - DMM2-SD72A-1131	71-105
1102 8357	Connector - 52777-0809	71-106
1102 8373	Connector - RJHS-5381	71-107
1102 8469	Connector - 55447-0510	83-109
1102 8473	Connector - 55447-0910	83-110
1102 8478	Connector - 55447-1410	83-111
1102 8480	Connector - 55447-1610	83-112
1102 8482	Connector - 55447-1810	83-113
1102 8485	Connector - 55451-2210	83-114
1102 8486	Connector - 55451-2410	83-115
1102 8487	Connector - 55451-2610	83-116
1102 8488	Connector - 5451-2810	83-117
1102 8489	Connector - 55451-3010	83-118
1102 8491	Connector - 55451-3410	83-119
1102 8492	Connector - 55451-3610	83-120
1102 8494	Connector - 55451-4010	83-121
1102 8516	Connector - DIMM-20-6403-144-121-856	71-108
1102 8519	Connector - MI2 99RH139-9236	55-110
1102 8522	Connector - 53375-1510	83-122

Part No.	Description	Page and Index No.
1102 8534	Connector - QR/P17-14S-B	57-103
1102 8535	Connector - QR/P17-14P-A	57-111
1102 8536	Connector - QR/P17-18S-B	41-103
1102 8537	Connector - QR/P17-18P-A	57-110
1102 8559	Connector - 9730S-200C-GF	83-123
1102 8571	Connector - 53375-0910	83-124
1102 8582	Connector - IMSA-9730B-200A-GF	71-109
1102 8583	Connector - 440024-1	71-110
1102 8584	Connector - 52777-0409	71-111
1104 0511	IC Socket - 8P - DICF-8CS-E	71-112
1104 0764	IC Socket - 8 Pin	83-125
1104 0771	IC Socket - 28PIN	71-113
1105 0328	Harness Clamp - ES-0505	23-106
1105 0367	Spacer	63-104
1105 0487	Harness Clamp	31-105
1105 0487	Harness Clamp	59-107
1105 0487	Harness Clamp	53-107
1105 0487	Harness Clamp	63-107
1105 0487	Harness Clamp	57-107
1105 0487	Harness Clamp	29-105
1105 0487	Harness Clamp	55-106
1105 0487	Harness Clamp	65-104
1105 0487	Harness Clamp	67-105
1105 0487	Harness Clamp	23-107
1105 0488	Harness Clamp	13-104
1105 0488	Harness Clamp	55-105
1105 0488	Harness Clamp	57-108
1105 0488	Harness Clamp	59-105
1105 0489	Harness Clamp - LWS 1316	63-105
1105 0489	Harness Clamp - LWS 1316	55-104
1105 0489	Harness Clamp - LWS 1316	57-104
1105 0489	Harness Clamp - LWS 1316	59-108
1105 0490	Harness Clamp - IWS-2218	63-106
1105 0490	Harness Clamp - IWS-2218	55-103
1105 0511	Harness Clamp - LWS-0306ZC	53-106

Part No.	Description	Page and Index No.
1105 0511	Harness Clamp - LWS-0306ZC	41-105
1105 0511	Harness Clamp - LWS-0306ZC	61-107
1105 0511	Harness Clamp - LWS-0306ZC	47-108
1105 0511	Harness Clamp - LWS-0306ZC	49-101
1105 0511	Harness Clamp - LWS-0306ZC	59-106
1105 0511	Harness Clamp - LWS-0306ZC	55-108
1105 0511	Harness Clamp - LWS-0306ZC	57-109
1105 0511	Harness Clamp - LWS-0306ZC	31-104
1105 0511	Harness Clamp - LWS-0306ZC	65-103
1105 0516	Clamp	61-104
1105 0516	Clamp	41-108
1105 0516	Clamp	55-107
1105 0518	Edge Saddle - LES-1010	57-105
1105 0521	Clamp - LES-1017	57-106
1105 0522	Edge Saddle - Les0510	49-106
1105 0522	Edge Saddle - LES0510	47-107
1105 0522	Edge Saddle - LES0510	61-106
1105 0522	Edge Saddle - LES0510	55-109
1105 0522	Edge Saddle - LES0510	67-103
1105 0522	Edge Saddle - LES0510	29-104
1105 0522	Edge Saddle - LES0510	33-102
1105 0522	Edge Saddle - Les0510	31-102
1105 0522	Edge Saddle - LES0510	41-104
1107 0629	Fuse (ceramic Case) - 15A- 125V	61-112
1107 0879	Fuse - 5A 250V	61-113
1107 0908	Fuse - 10A 125V	61-113
1107 0989	Fuse - Ke10	83-126
1150 0363	Power Supply Code - 125V 10A 2.5M	61-111
1150 0364	Power Supply Code- 250V 10A 2.5M	61-111
1204 1422	Dip Switch - 51d-0401	71-114
1204 2521	Micro Switch	23-105
1204 2533	Switch - AJ76200PZ02	11-102
1400 0395	Transistor - DTA114EKA	83-127
1400 0556	Transistor - DTB143EK	83-128
1400 0855	Transistor - 2SA1235A	83-129

Part No.	Description	Page and Index No.
1400 0857	Transistor - Rt1n141c	83-130
1400 0891	Transistor - RT1N136C	71-115
1402 0595	Diode Array - DAN202K	83-131
1402 0596	Diode-array - DAP202K	83-132
1402 0708	Diode - 1SS272	83-133
1402 1336	Diode - 1SS355	71-116
1402 1336	Diode - 1SS355	83-134
1402 1343	Diode - RB106L-40	71-117
1402 1378	Diode - PTZ12A	83-135
1402 1380	Diode - PTZ 6.2A	83-136
1403 0907	Diode - SML-310LT	83-137
1403 0953	LED - SML-310MT	83-138
1407 1535	IC - TD62308AP	83-139
1407 1596	TTLIC - SN74LS14NS	83-140
1407 1600	TTLIC - SN74LS244NS	83-141
1407 2052	TTLIC - SN74LS74ANS	83-142
1407 2187	TTLIC - SN74LS07NS	83-143
1407 2219	IC - TD62003AP	83-144
1407 3281	IC - TC74HCU04AF	83-145
1407 3290	IC - TC74HC02AF	83-146
1407 3380	HS-C2MOS - TC74HCT04AF	83-147
1407 4718	IC - TC74VHC08F	83-148
1407 4919	IC - 74VHCT244 TSSOP	71-118
1407 4963	IC - MBM29F800TA-70PFTN	83-149
1407 5110	IC - SN74LV244ANS	83-150
1407 5116	IC - 74VHCT74 SOP	83-151
1407 5122	IC - CMOS LOGIC-TC74ACT374FT	71-119
1407 5161	IC - HD64F2633WF25	83-152
1407 5255	Clock Generator - FS741BZB	83-153
1407 5275	CMOS Logic - 74LVCHR16245A TSSOP	71-120
1407 5281	IC - EEPROM-I2C BUS 1K SOP	71-121
1407 5282	IC - DP83846AVHG	71-122
1407 5293	CMOS Logic - 74ALVCH16827 TSSOP	71-123
1407 5297	IC - CPU RM7000-250T-REV2.1E	71-124
1407 5300	CMOS Logic - 74LVC16244A TSSOP	71-125

Part No.	Description	Page and Index No.
1407 5309	IC - MICROWIRE BUS 1K DIP	71-126
1407 5318	IC - SN74LV240ANS	83-154
1407 5320	CMOS Logic 74LVC374A TSSOP	71-127
1407 5321	CMOS Logic - 74LVCH16374A TSSOP	71-128
1407 5322	IC - CMOS LOGIC SN74LVC161284DGG	71-129
1407 5329	Clock Generator - W211b	71-130
1407 5334	IC - CMOS LOGIC 74LVC244A TSSOP	71-131
1407 5404	IC - EEPROM I2C BUS 32K DIP	83- *
1407 5538	CPU - D6432633WG00F	83-155
1408 0575	IC - M51957BFP	71-132
1408 0810	IC - BA10358F	83-156
1408 1065	Comparator - BA10339F	83-157
1408 1082	D/A Converter - M62354FP	83-158
1408 1095	IC - BA10324AF	83-159
1408 1204	IC - TA8083P	83-160
1408 1223	Ditector - RN5VD42C	83-161
1408 1295	IC - UPC2933T	83-162
1408 1394	IC - STK672-110	83-163
1408 1398	Detector - RN5VD42A	83-164
1408 1507	Regulator - PQ05VY3H3Z	71-133
1408 1535	Transistor Array - M54585P	83-165
1408 1549	IC - STK672-210	83-166
1408 1550	IC - LM2902PW	83-167
1408 1555	Regulator - L1087MP-3.3	83-168
1408 1561	Series Regulator - Q5EV3	71-134
1503 0842	Oscillator - 14.31818MHz	71-135
1503 0903	Crystal Oscillator- 12.5MHz	83-169
1503 0946	Crystal Oscillator - 9.8304MHz	83-170
1503 0959	Crystal Oscillator - 25MHz	71-136
1503 1007	Crystal Oscillator - 25MHz	83-171
1600 1178	Resistor Array - 330Ω ±5% 1W	83-172
1601 7752	Resistor Array - 10K Ω ±5%	83-173
1601 7752	Resistor Array - 10K Ω ±5%	71-137
1601 7759	Resistor Array - 100K Ω ±5% 0.06	83-174
1601 7760	Resistor Array	71-138

Part No.	Description	Page and Index No.
1601 7781	Resistor - 10 Ω ±5%	71-139
1601 7791	Resistor Array - 1K Ω ±5%	83-175
1601 7796	Resistor Array - 2.2KO	83-176
1601 7867	Resistor - 33 Ω ±5% 1/16W	71-140
1601 7867	Resistor - 33 Ω ±5% 1/16W	83-177
1601 7871	Resistor - 68Ω ±5% 1/16W	71-141
1601 7871	Resistor - 68Ω ±5% 1/16W	83-178
1601 7872	Resistor Array - 220 Ω ±5% 1/16W	71-142
1601 7879	Resistor - 22 Ω ±5% 1/16W	71-143
1601 7915	Resistor Array - 33 Ω ±5% 1/16W	71-144
1601 7915	Resistor Array - 33 Ω ±5% 1/16W	83-179
1601 7919	Resistor - 10KΩ ±5% 1/16W 8	83-180
1601 7926	Resistor - 68 Ω ±5% 1/16W 8	83-181
1601 7927	Resistor Array - 1K Ω ±5% 1/16W	83-182
1601 7928	Resistor Array - 4.7K Ω±5% 1/16W	83-183
1601 7929	Resistor Array - 100K Ω±5%1/16W	83-184
1601 7933	Resistor Array - 100 Ω ±5% 1/16W	71-145
1601 7933	Resistor Array - 100 Ω ±5% 1/16W	83-185
1601 7934	Resistor Array - 150 Ω±5% 1/16w	83-186
1604 2601	Capacitor - 47μF ±20% 25V	83-187
1604 4333	Capacitor - 100μF ±20% 10V	71-146
1604 4365	Condensor - 470μF 16v ±20%	71-147
1604 4661	Capacitor - 100μF ±20% 50V	83-188
1604 4860	Capacitor - 100μF ±20% 50V	83-189
1604 4861	Capacitor - 68μF ±20% 50V	83-190
1605 0808	Capacitor - 7PF ±0.5pF 50V	83-191
1605 1025	Capacitor - 1000pF ±10% 2KV	71-148
1605 1071	Capacitor - 1μF ±10% 25V	71-149
1605 1072	Capacitor - 4.7μF ±10% 16V	71-150
1605 1081	Capacitor - 10 Uf +80-20% 25V	71-151
1605 1085	Ceramic Capacitor - 0.082μF ±10% 1	71-152
1605 1127	Capacitor - 8±0.5pF 50V	71-153
1605 1148	Capacitor - 0.1μF +80-20% 50V	83-192
1605 1162	Capacitor - 10μF +80 -20% 10V	71-154
1605 1179	Capacitor - 1μF ±10% 50V	83-193

Part No.	Description	Page and Index No.
1607 0824	Filter - BLM11A601SPB	71-155
1607 0923	Coil - LEM2520B3R3J	83-194
1607 0987	Inductor - TLA-6T103	71-156
1607 1002	IC - NFM60R30T222	83-195
1607 1020	Filter - MMZ1608Y121B	83-196
1607 1206	Filter - ACC2012L-250	71-157
1607 1275	Filter - ACF321825-221	83-197
1607 1276	Filter - ACF321825-331	83-198
1607 1296	Filter - MMZ1608S601A	83-199
1630 1339	Resistor - 3.3 Ω \pm 5% 1/4W	83-200
1630 1680	Resistor - 68 Ω \pm 5% 1/4W	83-201
1630 2271	Resistor - 270 Ω - 1/8W	71-158
1630 2750	Resistor - 758 Ω 1/8W \pm 5%	71-159
1630 3103	Resistor - 10K Ω 1/10W \pm 5%	83-202
1630 3201	Resistor - 200 Ω 1/10W \pm 5%	83-203
1630 3271	Resistor - 270 Ω +5% 1/10W	71-160
1630 3519	Resistor - 5.1 Ω \pm 5% 1/10W	71-161
1630 3561	Resistor - 560 Ω \pm 5% 1/10W	71-162
1630 3681	Resistor - 680 Ω \pm 5% 1/10W	83-204
1630 3821	Resistor - 820 Ω \pm 5% 1/10W	83-205
1630 4100	Resistor - 10 Ω \pm 5% 1/16W	83-206
1630 4101	Resistor - 100 Ω \pm 5% 1/16W	83-207
1630 4102	Resistor - 1.0K Ω \pm 5% 1/16W	83-208
1630 4103	Resistor - 10K Ω \pm 5% 1/16W	71-163
1630 4103	Resistor - 10K Ω \pm 5% 1/16W	83-209
1630 4104	Resistor - 100 Ω \pm 5% 1/16W	83-210
1630 4105	Resistor - 1.0M Ω \pm 5% 1/16W	83-211
1630 4122	Resistor - 1.2K Ω 5% 1/16W	71-164
1630 4150	Resistor - 15 Ω \pm 5.00%,1/16W	71-165
1630 4152	Resistor - 1.5K Ω \pm 5% 1/16W	83-212
1630 4161	Resistor - 160 Ω \pm 5% 1/16W	83-213
1630 4162	Resistor - 1.6K Ω \pm 5% 1/16W	83-214
1630 4184	Resistor - 180k Ω \pm 5% 1/16w	71-166
1630 4204	Resistor - 200K Ω \pm 5% 1/16W	83-215
1630 4220	Resistor - 22 Ω \pm 5% 1/16W	71-167

Part No.	Description	Page and Index No.
1630 4222	Resistor - 2.2K Ω \pm 5%	71-168
1630 4222	Resistor - 2.2K Ω \pm 5%	83-216
1630 4302	Resistor - 3.0k Ω - \pm 5% - 1/16W	83-217
1630 4330	Resistor - 33 Ω \pm 5% 1/8W	71-169
1630 4330	Resistor - 33 Ω \pm 5% 1/8W	83-218
1630 4332	Resistor - 3.3K Ω \pm 5% 1/16W	83-219
1630 4362	Resistor - 3.6K Ω \pm 5% 1/16W	83-220
1630 4470	Resistor - 470 Ω \pm 5% 1/16W	71-170
1630 4472	Resistor - 4.7K Ω \pm 5% 1/16W	71-171
1630 4472	Resistor - 4.7K Ω \pm 5% 1/16W	83-221
1630 4511	Resistor - 510 Ω - \pm 5% - 1/16W	83-222
1630 4512	Resistor - 5.1k Ω - \pm 5% - 1/16W	71-172
1630 4562	Resistor - 5.6k Ω - \pm 5% - 1/16W	83-223
1630 4680	Resistor - 68 Ω \pm 5% 1/16W	83-224
1630 4680	Resistor - 68 Ω \pm 5% 1/16W	71-173
1630 4681	Resistor - 680 Ω \pm 5% 1/16W	71-174
1630 4753	Resistor - 75K Ω \pm 5% 1/16W	71-175
1631 0000	Resistor - 0 Ω 1/4W	83-225
1632 0000	Resistor - 0 Ω 1/8W	71-176
1632 4999	Resistor 49.9 Ω \pm 1% 1/8w	71-177
1632 5499	Resistor - 54.9 Ω \pm 1% 1/8W	71-178
1634 0000	Resistor - 0 Ω 1/16W	83-226
1634 0000	Resistor - 0 Ω 1/16W	71-179
1634 1001	Resistor - 1K Ω \pm 5% 1/16W	71-180
1634 1002	Resistor - 10 Ω \pm 5% 1/16W	83-227
1634 1003	Resistor - 100K Ω \pm 1% 1/16W	83-228
1634 1004	Resistor - 1.00 Ω \pm 1% 1/16W	83-229
1634 1201	Resistor - 1.2K Ω \pm 1% 1/16W	71-181
1634 1501	Resistor - 1.50k Ω - \pm 1% - 1/16W	71-182
1634 1601	Resistor - 1.6K Ω : \pm 1%:1/16W	83-230
1634 1621	Resistor - 1.62K Ω \pm 1% 1/16W	71-183
1634 2001	Resistor - 2.00K Ω \pm 1% 1/16W	71-184
1634 2402	Resistor - 24K Ω \pm 1% 1/16W	83-231
1634 2431	Resistor - 2.43K Ω \pm 1% 1/16W	83-232
1634 3903	Resistor - 390k Ω - \pm 1% - 1/16W	83-233

Part No.	Description	Page and Index No.
1634 4021	Resistor - 4.02K Ω \pm 1% 1/16W 1608	83-234
1634 4022	Resistor - 40.2K Ω \pm 1% 1/16W	83-235
1634 4301	Resistor - 4.3K Ω \pm 1% 1/8W	83-236
1634 5231	Resistor - 5.23K Ω \pm 1% 1/16W	83-237
1634 7682	Resistor - 76.8K Ω \pm 1% 1/16W	83-238
1634 8201	Resistor 8.2k Ω \pm 1% 1/16w 1608	83-239
1634 8662	Resistor - 86.6K Ω \pm 1% 1/16W	83-240
1634 9311	Resistor - 9.31K Ω \pm 1% 1/16W	71-185
1640 5101	Capacitor - 100 μ F \pm 20% 50V	83-241
1640 5470	Capacitor - 47 μ F \pm 20% 50V	83-242
1642 0101	Capacitor - 100 μ F \pm 20% 50V	83-243
1642 0470	Capacitor - 47 μ F \pm 20% 10V	83-244
1642 2470	Capacitor - 47 μ F \pm 20% 25V	83-245
1644 0470	Capacitor - 47 μ F \pm 20% 10V	71-186
1644 0470	Capacitor - 47 μ F \pm 20% 10V	83-246
1644 2100	Capacitor - 10 μ F \pm 20% 25V	83-247
1644 5100	Capacitor - 10 μ F \pm 20% 50V	83-248
1644 6101	Capacitor - 100 μ F \pm 20% 6.3V	71-187
1644 6220	Capacitor - 22 μ F \pm 20% 6.3V	83-249
1644 6470	Capacitor - 47 μ F \pm 20% 6.3V	83-250
1660 0100	Capacitor - 10PF \pm 0.5pF 50V	71-188
1660 2101	Capacitor - 100pF - \pm 10% - 50V	83-251
1660 2121	Capacitor - 120pF \pm 5% 50V	83-252
1660 2150	Capacitor - 15pF \pm 5% 50V	71-189
1660 2220	Capacitor - 22pF \pm 20% 35V	71-190
1660 2220	Capacitor - 22pF \pm 20% 35V	83-253
1660 2221	Capacitor - 220pF +80-20% 50V	71-191
1660 2221	Capacitor - 220pF +80-20% 50V	83-254
1660 2270	Capacitor - 27pF \pm 20% 35V	83-255
1660 2330	Capacitor - 33pF - \pm 5% - 50V	83-256
1660 2330	Capacitor - 33pF - \pm 5% - 50V	71-192
1660 2471	Capacitor - 470pF - \pm 5% - 50V	71-193
1660 2471	Capacitor - 470pF - \pm 5% - 50V	83-257
1660 4102	Capacitor - 1000pF \pm 10% 50V	71-194
1660 4102	Capacitor - 1000pF \pm 10% 50V	83-258

Part No.	Description	Page and Index No.
1660 4103	Capacitor - 10000pF - \pm 10% - 50V	83-259
1660 4472	Capacitor - 4700PF \pm 10% 50V	83-260
1660 6103	Capacitor - 10000pF - +80%-20%50V	71-195
1660 6103	Capacitor - 10000pF - +80%-20%50V	83-261
1660 6223	Capacitor - 22000pF +80 -20% 50V	83-262
1660 6473	Capacitor - 47000pF +80,-20% 50V	83-263
1660 8104	Capacitor - 0.1 μ F +80-20% 25V	71-196
1660 8104	Capacitor - 0.1 μ F +80-20% 25V	83-264
1902 0041	IC - 1M X8 70NS G10	83-265
1906 0016	IC - LH28F160BJE-BTL70	71-197